

KÄRCHER

makes a difference

SC 1
SC 1 Premium
SC 1 EasyFix
SC 1 EasyFix Premium
SC 1 EasyFix Premium Plus



| | |
|-------------|-----|
| Deutsch | 5 |
| English | 9 |
| Français | 13 |
| Italiano | 17 |
| Nederlands | 22 |
| Español | 26 |
| Português | 30 |
| Dansk | 35 |
| Norsk | 39 |
| Svenska | 43 |
| Suomi | 47 |
| Ελληνικά | 51 |
| Türkçe | 55 |
| Русский | 60 |
| Magyar | 64 |
| Čeština | 69 |
| Slovenščina | 73 |
| Polski | 77 |
| Românește | 81 |
| Slovenčina | 85 |
| Hrvatski | 90 |
| Srpski | 94 |
| Български | 98 |
| Eesti | 103 |
| Latviešu | 107 |
| Lietuviškai | 111 |
| Українська | 115 |
| Қазақша | 119 |
| العربية | 128 |



**Register
your product**

www.karcher.com/welcome

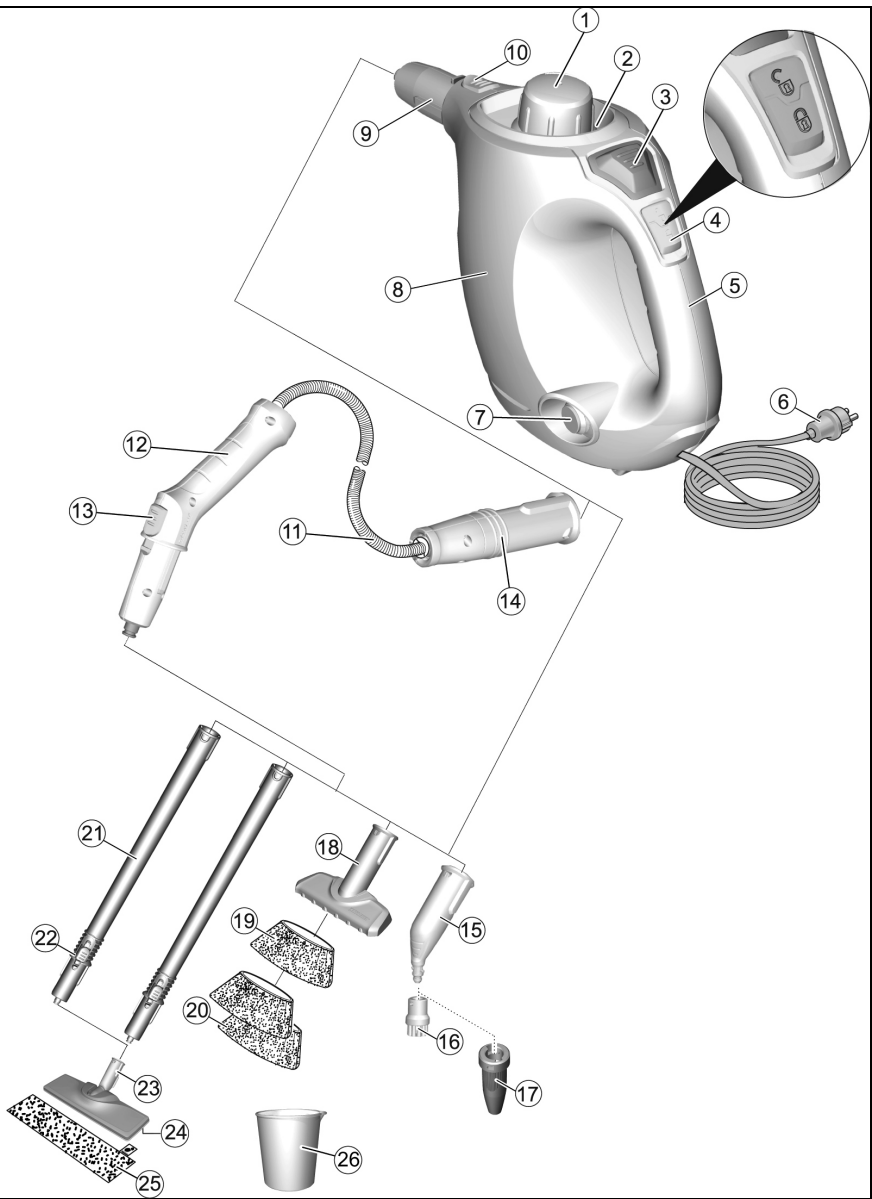


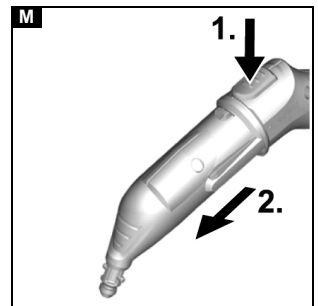
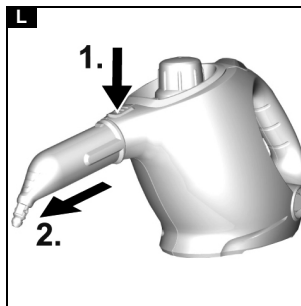
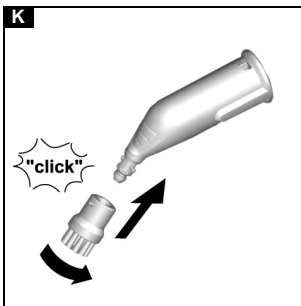
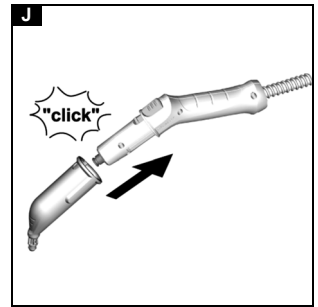
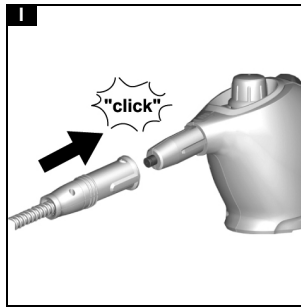
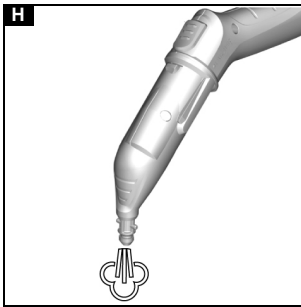
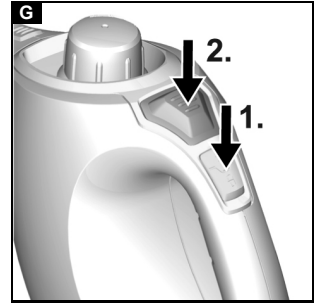
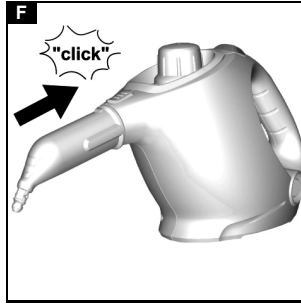
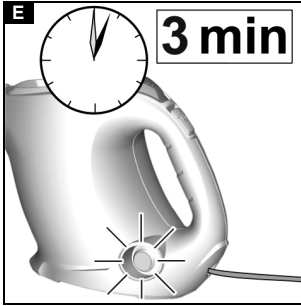
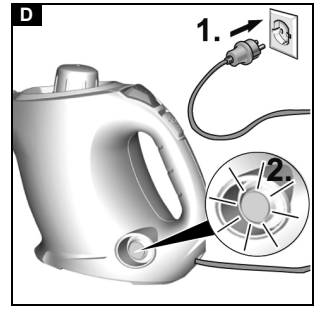
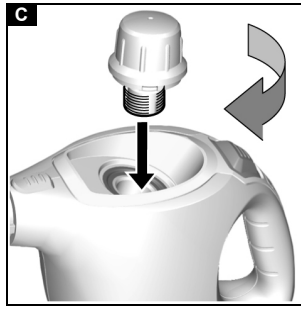
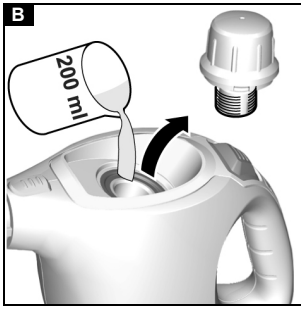
EAC

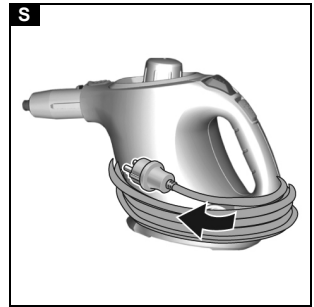
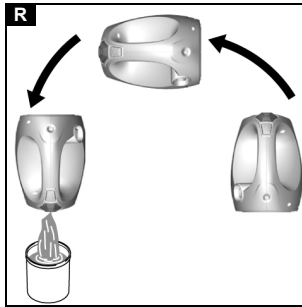
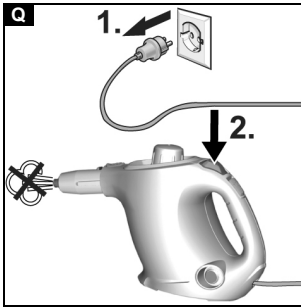
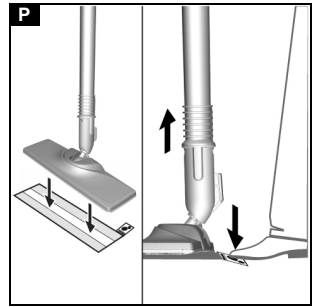
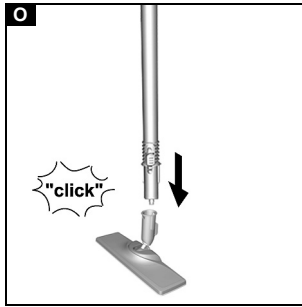
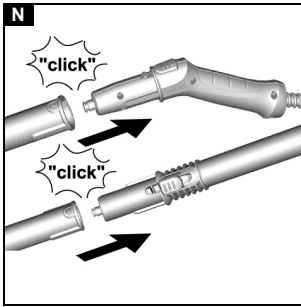


59679400 (10/18)

A







Technische Daten

Elektrischer Anschluss

| | | |
|--------------|----|---------|
| Spannung | V | 220-240 |
| Phase | ~ | 1 |
| Frequenz | Hz | 50-60 |
| Schutzart | | IPX4 |
| Schutzklasse | | I |

Leistungsdaten

| | | |
|-------------------------|---------|------|
| Heizleistung | W | 1200 |
| Maximaler Betriebsdruck | MPa | 0,3 |
| Aufheizzeit | Minuten | 3 |
| Dauerdampfen | g/min | 35 |
| Maximaler Dampfstoß | g/min | 80 |

Füllmenge

| | | |
|--------------------|----|-----|
| Dampfkessel | ml | 250 |
| Maximale Füllmenge | ml | 200 |

Maße und Gewichte

| | | |
|------------------------|----|-----|
| Gewicht (ohne Zubehör) | kg | 1,5 |
| Länge | mm | 321 |
| Breite | mm | 127 |
| Höhe | mm | 186 |

Technische Änderungen vorbehalten.

Contents

| | |
|--|----|
| General notes | 9 |
| Intended use | 9 |
| Environmental protection | 9 |
| Accessories and spare parts | 9 |
| Scope of delivery | 9 |
| Warranty | 9 |
| Safety devices | 9 |
| Device description | 10 |
| Initial Start-Up | 10 |
| Installation | 10 |
| Operation | 10 |
| Important application instructions | 11 |
| How to use the Accessories | 11 |
| Care and service | 12 |
| Troubleshooting guide | 12 |
| Technical data | 13 |

General notes



Read these original operating instructions and the enclosed safety instructions before using the device for the first time. Act in accordance with them.

Keep both books for future reference or for future owners.

Intended use

Only use the appliance in private households. The appliance is intended for cleaning with steam and can be used with appropriate accessories as described in these operating instructions. Detergents are not required. Observe the safety instructions.

Environmental protection



The packing materials can be recycled. Please dispose of packaging in accordance with the environmental regulations.



Electrical and electronic appliances contain valuable, recyclable materials and often components such as batteries, rechargeable batteries or oil, which - if handled or disposed of incorrectly - can

pose a potential threat to human health and the environment. However, these components are required for the correct operation of the appliance. Appliances marked by this symbol are not allowed to be disposed of together with the household rubbish.

Notes on the content materials (REACH)

Current information on content materials can be found at: www.kaercher.com/REACH

Accessories and spare parts

Only use original accessories and original spare parts. They ensure that the appliance will run fault-free and safely.

Information on accessories and spare parts can be found at www.kaercher.com.

Scope of delivery

The scope of delivery for the appliance is shown on the packaging. Check the contents for completeness when unpacking. If any accessories are missing or in the event of any shipping damage, please notify your dealer.

Warranty

The warranty conditions issued by our relevant sales company apply in all countries. We shall remedy possible malfunctions on your appliance within the warranty period free of cost, provided that a material or manufacturing defect is the cause. In a warranty case, please contact your dealer (with the purchase receipt) or the next authorised customer service site. (See overleaf for the address)

Safety devices

⚠ CAUTION

Missing or modified safety devices

Safety devices are provided for your own protection. Never modify or bypass safety devices.

Symbols on the appliance

(according to type of appliance)

| | |
|--|--|
| | Risk of burns, surface of appliance becomes hot during operation |
| | Risk of scalding from steam |
| | Read operating instructions |

Safety lock

The safety lock seals the steam boiler from the steam pressure present. If the pressure regulator is defective and overpressure occurs in the steam boiler, an pressure relief valve opens in the safety lock and steam leaks out through the lock.

Prior to restarting the appliance, contact the responsible KÄRCHER Customer Service.

Device description

The maximum amount of equipment is described in these operating instructions. Depending on the model used, there are differences in the scope of delivery (see packaging).

For the figures, refer to the graphics page.

Illustration A

- ① Safety lock
- ② Filling hole for water
- ③ Steam switch
- ④ Child lock
- ⑤ Carrying handle
- ⑥ Mains connection cable with mains plug
- ⑦ Indicator light (green) - mains voltage present
- ⑧ Steam boiler
- ⑨ Steam nozzle
- ⑩ Unlocking button
- ⑪ ** Steam hose
- ⑫ Steam gun
- ⑬ Unlocking button
- ⑭ Steam connector
- ⑮ Spotlight nozzle
- ⑯ Round brush
- ⑰ Power nozzle
- ⑱ Manual nozzle
- ⑲ Microfibre cover for manual nozzle (1 x)
- ⑳ ** Microfibre cover for manual nozzle (2 x)
- ㉑ ** Extension tubes (2 x)
- ㉒ Unlocking button
- ㉓ ** Floor nozzle
- ㉔ Hook and loop fastener
- ㉕ ** Microfibre floor cloth
- ㉖ Measuring jug

** optional

Initial Start-Up

During initial start-up, a small cloud of smoke may be emitted from the steam nozzle. The appliance requires a short run-in time. At the start, the steam output is very irregular and damp, single droplets of water may even leak out. The steam volume that leaks out increases constantly until the maximum quantity has been reached after approx. 1 minute.

Installation

Installing accessories

1. Push the open end of the accessory onto the steam nozzle or steam gun until the unlocking button of the steam nozzle or steam gun engages.

Illustration F

Illustration I

Illustration J

2. Push the open end of the accessory onto the spotlight nozzle.

Illustration K

3. Connect the connection pipes with the steam nozzle or steam gun.
 - a Push the 1st extension tube onto the steam nozzle or steam gun until the unlocking button of the steam nozzle or steam gun engages.
The connection pipe is connected.
 - b Push the 2nd extension tube onto the 1st extension tube.
The connection pipes are connected.

Illustration N

4. Push the accessory and/or the floor nozzle onto the free end of the extension tube.

Illustration O

The accessory is connected.

Disconnecting accessories

1. Push the child lock down.

Illustration G

The switch is locked.

2. Push the unlocking button and pull the parts apart.

Illustration L

Illustration M

Operation

Filling water

Note

Descaling the steam boiler is not required if commercially available distilled water is used.

Note

Warm water reduces the heating-up time.

Note

To do this use the measuring jug supplied. When filling the water, pay attention to the marking (max. 200 ml).

1. Unscrew the safety lock.

Illustration B

2. Fill a maximum of 200 ml distilled water or tap water into the steam boiler.

3. Insert the safety lock.

Illustration C

Switch on the appliance

⚠WARNING

Risk of scalding

The appliance has a high water outlet if you incline more than 30° to the side.

Do not incline the appliance more than 30° (maximum angle) to the side.

1. Place the appliance on a firm subsurface.

2. Insert the mains plug into a socket.

Illustration D

Indicator light lights up green.

After approx. 3 minutes, the appliance is ready for use.

Illustration E

3. Push the child lock up.

Illustration G

The switch is unlocked.

4. Press the switch.

Illustration H

Steam leaks out.

Refilling water

If the steam volume is reduced during work or if no more steam volume comes out, the water will have to be re-filled.

Note

The safety lock cannot be opened as long as the steam boiler is still pressurised.

Note

Warm water reduces the heating-up time.

1. Switch the appliance off, see Chapter Switch off the appliance.

Illustration Q

2. Unscrew the safety lock.
3. Drain the water completely out of the steam boiler.

Illustration R

4. Fill a maximum of 200 ml distilled water or tap water into the steam boiler.
5. Insert the safety lock.
6. Insert the mains plug into a socket.
7. Push the child lock up.
The switch is unlocked.
The appliance is ready for use.

Switch off the appliance

1. Pull the mains plug out of the socket.
Illustration Q
2. Press the switch until no more steam escapes.
The steam boiler is depressurised.
3. Push the child lock down.

Rinsing out the steam boiler

Rinse the appliance's steam boiler after completing the work.

1. Switch the appliance off, see Chapter Switch off the appliance.
2. Allow the appliance to cool down.
3. Disconnect the accessory.
4. Fill the steam boiler with water and swing it around vigorously. Lime residue which has been deposited on the bottom of the steam boiler will be released as a result.
5. Drain the water completely out of the steam boiler.

Illustration R

Keep the appliance safe

1. Disconnect the accessory.
2. Drain the water completely out of the steam boiler.
Illustration R
3. Coil the mains connection cable around the water reservoir.
Illustration S
4. Allow the accessory to dry.
5. Store the appliance in a dry location that is protected from frost.

Important application instructions

Cleaning the floor areas

We recommend sweeping the floor or vacuum cleaning it before using the appliance. In this way the floor will be cleared of dirt and loose particles before the wet cleaning.

Freshening up textiles

Prior to using the appliance, always check the compatibility of the textiles at a concealed point: Steam down the textile, allow it to dry and then check it for any change in colour or shape.

Cleaning coated or painted surfaces

ATTENTION

Damaged surfaces

Steam can loosen wax, furniture polish, plastic coatings or paint and edge band from edges.

Do not direct the steam at glued laminated edges as the edge band may loosen.

Do not use the appliance for cleaning unsealed wood or parquet floors.

Do not use the appliance for cleaning painted or plastic coated surfaces such as kitchen or living room furniture, doors or parquet.

1. To clean these surfaces, steam a cloth briefly and use it to wipe over the surfaces.

Glass cleaner

ATTENTION

Glass breakages and damaged surfaces

Steam can damage sealed points of the window frame and, at low outside temperatures, lead to tension on the surface of window panes and hence to glass breakages. Do not direct the steam at sealed points on the window frame.

At low outside temperatures, heat up the window panes by gently steaming the full surface of the glass.

- Clean the window area with a manual nozzle and cover. To remove the water, use a squeegee or wipe the surfaces dry.

How to use the Accessories

Steam nozzle/steam gun

The steam nozzle or steam gun can be used for the following application areas without accessories:

- For removing slight creases from the hanging clothing items: Steam the clothing item from a distance of 10-20 cm.
- For wiping damp dust: Steam a cloth briefly and use it to wipe over the furniture.

Spotlight nozzle

The spotlight nozzle is suitable for cleaning areas, joins, fittings, drains, sinks, WCs, blinds or radiators that are difficult to access. The closer the spotlight nozzle is to the soiled area, the greater the cleaning efficiency will be as the temperature and steam volume are at their highest at the nozzle opening. Larger lime deposits can be treated before steam cleaning with a suitable detergent. Allow the detergent to soak in for approx. 5 minutes and then steam it off.

1. Push the open end of the spotlight nozzle onto the steam nozzle or steam gun.

Illustration F

Illustration J

Round brush

The round brush is used for cleaning stubborn dirt. Stubborn dirt can be removed more easily by brushing.

ATTENTION

Damaged surfaces

The brush may scratch sensitive surfaces.

It is not suitable for cleaning sensitive surfaces.

1. Install the round brush on the spotlight nozzle.

Illustration K

Power nozzle

The power nozzle is used for cleaning stubborn dirt, blowing down corners, joins etc.

1. Install the power nozzle onto the spotlight nozzle according to the round brush.

Illustration K

Manual nozzle

The manual nozzle is used for cleaning small areas that can be washed down, shower cubicles and mirrors.

1. Push the manual nozzle onto the steam nozzle or the steam gun according to the spotlight nozzle.

Illustration J

2. Pull the cover over the manual nozzle.

Floor nozzle

The floor nozzle is used for cleaning washable wall and floor coverings e.g. stone floors, tiles and PVC floors.

ATTENTION

Damage due to build-up of steam

Heat and moisture can lead to damage.

Check the heat resistance and steam effect on an inconspicuous area using a minimal volume of steam prior to use.

Note

Detergent residue or care emulsions on the surface to be cleaned can lead to streaks, which will disappear however once these have been used several times.

We recommend sweeping the floor or vacuum cleaning it before using the appliance. In this way the floor will be cleared of dirt and loose particles before the wet cleaning commences. Work slowly on surfaces that are heavily soiled so that the steam can impact longer.

1. Connect the extension tubes with the steam gun.

Illustration N

2. Push the floor nozzle onto the extension tube.

Illustration O

3. Fasten the floor cleaning cloth to the floor nozzle.
 - a Place the floor cleaning cloth with the hook and loop fastener strips pointing upwards on the floor.
 - b Place the floor nozzle onto the floor cleaning cloth, applying slight pressure.

Illustration P

The floor cleaning cloth will stick to the floor nozzle of its own accord due to the hook and loop fastener.

Removing the floor cleaning cloth

1. Place one foot on the bottom corner of the floor cleaning cloth and lift the floor nozzle up.

Illustration P

Note

Initially, the floor cleaning cloth's hook and loop fastener strip is very strong and cannot be removed from the floor nozzle easily. After the floor cleaning cloth has been used several times and washed, it is easier to remove from the floor nozzle and it has reached the optimum adhesion.

Care and service

Descaling the steam boiler

Note

Descaling the steam boiler is not required if commercially available distilled water is used.

Note

Since the lime becomes caked on the appliance, we recommend descaling the appliance as specified in the table (KF=boiler fillings) based on the number of times the steam boiler is filled.

| Hardness range | | °dH | mmol/l | KF |
|----------------|-----------|-------|---------|----|
| I | soft | 0-7 | 0-1.3 | 35 |
| II | Medium | 7-14 | 1.3-2.5 | 30 |
| III | Hard | 14-21 | 2.5-3.8 | 20 |
| IV | Very hard | >21 | >3.8 | 15 |

Note

Your water board or municipal utilities authority can provide information on hardness of tap water.

ATTENTION

Damaged surfaces

The descaler may corrode sensitive surfaces.

Fill and empty the appliance carefully.

1. Switch off the appliance, see Chapter Switch off the appliance.
2. Allow the appliance to cool down.
3. Unscrew the safety lock.
4. Drain the water completely out of the steam boiler.

Illustration R

ATTENTION

Appliance damage due to descaler

An unsuitable descaler or incorrect dosing of the descaler may damage the appliance.

Only use KÄRCHER descaler.

Use 1 dosing unit of the descaler for 0.5 l water.

5. Apply descaler solution to the descaler according to the details.
6. Fill the descaler solution into the steam boiler. Do not seal the steam boiler.
7. Allow the descaler solution to take effect for approx. 8 hours.
8. Drain descaler solution completely out of the steam boiler.
9. Repeat the descaling process if necessary.
10. Rinse the steam boiler 2-3 times with cold water in order to drain all the descaler solution residue.
11. Drain the water completely out of the steam boiler.

Illustration R

Care of accessories

(Accessories - depending on scope of delivery)

Note

The micro fibre cloths are not suitable for dryer.

Note

When washing the cloths, observe the instructions on the washing tag. Do not use any liquid softeners as this will affect the ability of the cloths to pick up dirt.

1. Wash the floor cleaning cloths and covers at a max. temperature of 60 °C in the washing machine.

Troubleshooting guide

Malfunctions often have simple causes that you can remedy yourself using the following overview. When in doubt, or in the case of malfunctions not mentioned here, please contact your authorised Customer Service.

⚠ WARNING

Risk of electric shock and burns

Trying to eliminate faults while the appliance is connected to the mains or has not yet cooled down is always dangerous.

Remove the mains plug.

Allow the appliance to cool down.

Reduced steam quantity

The steam nozzle is blocked.

1. Disconnect the accessory from the steam nozzle.
2. Clean the nozzle insert.
3. Start up the appliance briefly.
4. Attach the accessory to the steam nozzle.

The steam boiler is scaled.

- Descale the steam boiler

No steam

No water in the steam boiler

- Refill water, see Chapter Refilling water.

The switch cannot be pressed

The switch is locked with the child lock.

- Push the child lock up.
The switch is unlocked.

High water egress

The appliance is "spitting out" water

- Do not incline the appliance more than 30° (maximum angle) to the side during cleaning.
- Do not exceed the maximum filling quantity of 200 ml.

Technical data

Electrical connection

| | | |
|---------------------|----|---------|
| Voltage | V | 220-240 |
| Phase | ~ | 1 |
| Frequency | Hz | 50-60 |
| Protection class | | IPX4 |
| Protection category | | I |

Performance data

| | | |
|----------------------------|---------|------|
| Heating capacity | W | 1200 |
| Maximum operating pressure | MPa | 0.3 |
| Heating-up time | Minutes | 3 |
| Continuous steaming | g/min | 35 |
| Maximum steam blast | g/min | 80 |

Filling quantity

| | | |
|--------------------------|----|-----|
| Steam boiler | ml | 250 |
| Maximum filling quantity | ml | 200 |

Dimensions and weights

| | | |
|------------------------------|----|-----|
| Weight (without accessories) | kg | 1.5 |
| Length | mm | 321 |
| Width | mm | 127 |
| Height | mm | 186 |

Subject to technical modifications.

Contenu

| | |
|-------------------------------------|----|
| Remarques générales | 13 |
| Utilisation conforme | 13 |
| Protection de l'environnement | 13 |
| Accessoires et pièces de rechange | 13 |
| Etendue de livraison | 14 |
| Garantie | 14 |
| Dispositifs de sécurité | 14 |
| Description de l'appareil | 14 |
| Première mise en service | 14 |
| Montage | 14 |
| Utilisation | 15 |
| Consignes d'utilisation importantes | 15 |
| Utilisation des accessoires | 16 |
| Entretien et maintenance | 16 |
| Dépannage en cas de pannes | 17 |
| Caractéristiques techniques | 17 |

Remarques générales



Veillez lire le présent le manuel d'instructions original et les consignes de sécurité jointes avant la première utilisation de l'appareil. Agissez en conséquence. Conservez les deux manuels pour une utilisation ultérieure ou pour le propriétaire suivant.

Utilisation conforme

Utilisez l'appareil uniquement dans pour votre ménage. L'appareil est conçu pour le nettoyage à la vapeur et peut être utilisé avec les accessoires appropriés, tel qu'il est décrit dans cette notice d'utilisation. Les détergents ne sont pas nécessaires. Respectez les consignes de sécurité.

Protection de l'environnement



Les matériaux d'emballage sont recyclables. Veuillez éliminer les emballages dans le respect de l'environnement.



Les appareils électriques et électroniques contiennent des matériaux précieux recyclables et souvent des composants tels que des piles, batteries ou de l'huile représentant un danger potentiel pour la santé humaine et l'environnement, s'ils ne sont pas manipulés ou éliminés correctement. Ces composants sont cependant nécessaires pour le fonctionnement correct de l'appareil. Les appareils marqués par ce symbole ne doivent pas être jetés dans les ordures ménagères.

Remarques concernant les matières composantes (REACH)

Les informations actuelles concernant les matières composantes sont disponibles sous : www.kaercher.com/REACH

Accessoires et pièces de rechange

Utiliser exclusivement des accessoires et pièces de rechange originaux. Ceux-ci garantissent le fonctionnement sûr et sans défaut de votre appareil.

Des informations sur les accessoires et pièces de rechange sont disponibles sur le site Internet www.kaercher.com.

- Αφήστε το διάλυμα αφαλάτωσης να δράσει για περίπου 8 ώρες.
- Αδειάστε όλο το διάλυμα αφαλάτωσης από τον ατμολέβητα.
- Ενδεχομένως, επαναλάβετε τη διαδικασία αφαλάτωσης.
- Ξεπλύνετε τον ατμολέβητα 2-3 φορές με κρύο νερό ώστε να φύγουν όλα τα υπολείμματα του διαλύματος αφαλάτωσης.
- Αδειάστε όλο το νερό από τον ατμολέβητα.

Εικόνα R

Φροντίδα των εξαρτημάτων

(Πρόσθετα εξαρτήματα - ανάλογα την παραγγελία)

Υπόδειξη

Τα πανιά μικρών δεν είναι κατάλληλα για στεγνωτήριο ρούχων.

Υπόδειξη

Για το πλύσιμο των πανιών τηρείτε τις υποδείξεις που βρίσκονται στο σημείωμα πλύσης. Μη χρησιμοποιείτε μαλακτικά, ώστε να διατηρηθεί η καλή απορροφητικότητα τα πανιών.

- Τα πανιά δαπέδου και οι επενδύσεις πλένονται στο πλυντήριο το πολύ στους 60 °C.

Αντιμετώπιση βλαβών

Οι βλάβες οφείλονται συχνά σε ασημαντες αιτίες, τις οποίες μπορείτε να αντιμετωπίσετε μόνοι σας με τη βοήθεια του ακόλουθου πίνακα. Σε περίπτωση αμφιβολίας ή σε περίπτωση βλάβης που δεν αναφέρεται εδώ παρακαλούμε να απευθυνεστε στο εξουσιοδοτημένο τμήμα εξυπηρέτησης πελατών.

Δ ΠΡΟΕΙΔΟΠΟΙΗΣΗ

Κίνδυνος ηλεκτροπληξίας και εγκαύματος

Όσο η συσκευή είναι συνδεδεμένη στο ηλεκτρικό ρεύμα ή αν δεν έχει κρυώσει ακόμη η αντιμετώπιση βλαβών είναι επικίνδυνη υπόθεση.

Αποσυνδέστε το φις από την πρίζα.

Αφήστε τη συσκευή να κρυώσει.

Μειωμένη ποσότητα ατμού

Το ακροφύσιο ατμού είναι βουλωμένο.

- Αποσυνδέστε το πρόσθετο εξάρτημα από το ακροφύσιο ατμού.
- Καθαρίστε το εξάρτημα του ακροφυσίου.
- Θέστε τη συσκευή για λίγο σε λειτουργία.
- Συνδέστε πάλι το πρόσθετο εξάρτημα στο ακροφύσιο ατμού.

● ατμολέβητας έχει άλατα.

● Αφαλατώστε τον ατμολέβητα.

Δεν παράγεται ατμός

Ο ατμολέβητας δεν έχει νερό

- Συμπληρώστε νερό, βλ. κεφάλαιο Προσθήκη νερού.

Το πλήκτρο ατμού δεν μπορεί να πατηθεί

Το πλήκτρο ατμού είναι κλειδωμένο με την ασφάλεια για παιδιά.

- Πιέστε την ασφάλεια παιδιών προς τα πάνω.

Το πλήκτρο ατμού απασφαλίζει.

Μεγάλη εκροή νερού

Η συσκευή "φτύνει" νερό

- Κατά τον καθαρισμό μη γέρνετε τη συσκευή στο πλάι περισσότερο από 30° (μέγιστη γωνία).
- Μην υπερβαίνετε τη μέγιστη ποσότητα πλήρωσης των 200 ml.

Τεχνικά στοιχεία

Ηλεκτρική σύνδεση

| | | |
|----------------------|----|---------|
| Τάση | V | 220-240 |
| Φάση | ~ | 1 |
| Συχνότητα | Hz | 50-60 |
| Βαθμός προστασίας | | IPX4 |
| Κατηγορία προστασίας | | I |

Στοιχεία ισχύος

| | | |
|---------------------------|-------|------|
| Θερμαντική ισχύς | W | 1200 |
| Μέγιστη πίεση λειτουργίας | MPa | 0,3 |
| Χρόνος προθέρμανσης | Λεπτά | 3 |
| Ατμός διαρκείας | g/min | 35 |
| Μέγιστη δέσμη ατμού | g/min | 80 |

Ποσότητα πλήρωσης

| | | |
|---------------------------|----|-----|
| Ατμολέβητας | ml | 250 |
| Μέγιστη ποσότητα πλήρωσης | ml | 200 |

Διαστάσεις και βάρη

| | | |
|---------------------------|----|-----|
| Βάρος (χωρίς παρελκόμενα) | kg | 1,5 |
| Μήκος | mm | 321 |
| Πλάτος | mm | 127 |
| Ύψος | mm | 186 |

Με την επιφύλαξη τεχνικών αλλαγών.

İçindekiler

| | |
|---|----|
| Genel uyarılar | 55 |
| Amaca uygun kullanım | 55 |
| Çevre koruma | 56 |
| Aksesuarlar ve yedek parçalar | 56 |
| Teslimat kapsamı | 56 |
| Garanti | 56 |
| Güvenlik tertibatları | 56 |
| Cihaz açıklaması | 56 |
| İlik devreye alma | 56 |
| Montaj | 57 |
| İşletme | 57 |
| Önemli kullanım talimatları | 57 |
| Aksesuarların kullanımı | 58 |
| Bakım ve koruma | 59 |
| Arızalarda yardım | 59 |
| Teknik bilgiler | 59 |

Genel uyarılar



Cihazını ilk defa kullanmadan önce orijinal işletim kılavuzunu ve ekli güvenlik bilgilerini okuyun. Buna göre davranın.

Her iki kılavuzu daha sonra kullanmak için ve sizden sonraki kullanıcı için saklayın.

Amaca uygun kullanım

Cihazı sadece evinizde kullanın. Cihaz buharlı temizleme için tasarlanmıştır ve bu kılavuzda açıklandığı gibi uygun aksesuarlar ile birlikte kullanılabilir. Temizlik madesi gerekli değildir. Güvenlik uyarılarını dikkate alın.

Çevre koruma



Ambalaj malzemeleri geri dönüştürülebilir. Lütfen ambalajları çevreye zarar vermeden tasfiye edin.

Elektrikli ve elektronik cihazlar, değerli ve geri dönüştürülebilir malzemelerin yanı sıra yanlış kullanılması veya yanlış imha edilmesi durumunda insan sağlığı ve çevre için potansiyel tehlike teşkil edebilecek piller, aküler veya yağlar içerebilir. Ancak cihazın usulüne uygun şekilde çalıştırılması için bu parçalar gereklidir. Bu sembol ile işaretlenen cihazlar evsel atık ile birlikte imha edilmemelidir.

İçindekiler hakkında uyarılar (REACH)

İçindekiler hakkında ayrıntılı bilgileri bulabileceğiniz adres: www.kaercher.com/REACH

Aksesuarlar ve yedek parçalar

Sadece orijinal aksesuarlar ve orijinal yedek parçalar kullanın. Bu parçalar cihazın güvenli ve arızasız çalışmasını sağlar.

Aksesuar ve yedek parçalara ilişkin bilgiler için adres: www.kaercher.com.

Teslimat kapsamı

Cihazınızın teslimat kapsamı ambalajı üzerinde gösterilmiştir. Ambalaj açıldığında içindeki parçalarda eksiklik olup olmadığını kontrol edin. Aksesuarların eksik olması durumunda ya da nakliye hasarlarında yetkili satıcınızı bilgilendirin.

Garanti

Her ülkede yetkili distribütörümüz tarafından verilmiş garanti şartları geçerlidir. Garanti süresi içinde cihazınızda oluşan muhtemel hasarları, arızanın kaynağı üretim veya malzeme hatası olduğu sürece ücretsiz olarak karşılıyoruz. Garanti durumunda satış fişi ile satıcıya veya yetkili servise başvurun. (Adres için Bkz. Arka sayfa)

Güvenlik tertibatları

⚠ TEDBİR

Eksik veya kusurlu güvenlik tertibatları

Emniyet düzenleri sizin emniyetiniz içindir.

Emniyet düzenlerini asla değiştirmeyin veya baypas etmeyin.

Cihazdaki semboller

(cihaz tipine bağlı olarak)

| | |
|--|--|
| | Yanma tehlikesi, çalışma sırasında ekipman yüzeyi sıcaktır |
| | Buhar nedeniyle haşlanma tehlikesi |
| | İşletme kılavuzunu oku |

Emniyet kilidi

Emniyet kilidi, buhar kazanını yaklaşan buhar basıncına karşı kapatır. Basınç düzenleyicisi arızalıysa ve kazan da fazla basınç oluşursa, emniyet valfinden aşırı basınç valfi açılır ve buhar, emniyet kilidi boyunca dışarı çıkar. Cihazı çalıştırmadan önce lütfen yerel KÄRCHER müşteri hizmetleriyle iletişime geçin.

Cihaz açıklaması

Bu kullanım kılavuzunda maksimum donanım açıklanmaktadır. Modele göre teslimatın içeriğinde farklılıklar olabilir (bakınız ambalaj).

Resimler için grafik sayfasına bakın.

Şekil A

- ① Emniyet kilidi
- ② Su doldurma ağız
- ③ Buhar düğmesi
- ④ Çocuk emniyeti
- ⑤ Taşıma kulpu
- ⑥ Şebeke fişli şebeke bağlantı hattı
- ⑦ Kontrol lambası (yeşil) - şebeke gerilimi mevcut
- ⑧ Buhar kazanı
- ⑨ Buhar enjektörü
- ⑩ Kilit açma tuşu
- ⑪ ** Buhar hortumu
- ⑫ Buhar tabancası
- ⑬ Kilit açma tuşu
- ⑭ Buhar soketi
- ⑮ Nokta huzme memesi
- ⑯ Yuvarlak fırça
- ⑰ Güç memesi
- ⑱ El memesi
- ⑲ El memesi için mikrofiber kılıf (1 adet)
- ⑳ ** El memesi için mikrofiber kılıf (2 adet)
- ㉑ ** Uzatma borusu (2 adet)
- ㉒ Kilit açma tuşu
- ㉓ ** Yer süpürme başlığı
- ㉔ Cırt cırt bağlantısı
- ㉕ ** Mikrofiber yer bezi
- ㉖ Ölçü kabı

** İsteğe bağlı

İlk devreye alma

İlk devreye alma işlemi sırasında, buhar jetinden küçük bir duman bulutu çıkabilir. Cihaz, kısa bir rodaj süresine ihtiyaç duyar. Başlangıçta, buhar çıkışı çok düzensiz ve nemlidir, bireysel su damlaları da atılabilir. Çıkan buhar miktarı, maksimum miktara yaklaşık 1 dakika sonra erişene kadar sürekli olarak artar.

Montaj

Aksesuar montajı

1. Aksesuarın açık ucunu, buhar jetine veya buhar tabancasının serbest bırakma düğmesi devreye girene kadar buhar püskürtücüsü veya buhar tabancasına itin.

Şekil F

Şekil I

Şekil J

2. Aksesuarın açık ucunu nokta jetine itin.
- #### Şekil K
3. Bağlantı borularını buhar püskürtücüsü veya buhar tabancasına takın.
 - a. Buhar jetinin veya buhar tabancasının serbest bırakma düğmesi devreye girene kadar birinci uzatma borusunu buhar jetine veya buhar tabancasına itin.
Bağlantı borusu bağlanmıştır.
 - b. İkinci uzatma borusunu birinci uzatma borusu üzerine itin.
Bağlantı boruları bağlanmıştır.

Şekil N

4. Aksesuarı ve/veya yer jetini uzatma borusunun serbest ucuna doğru itin.
- #### Şekil O
- Aksesuar bağlanmıştır.

Aksesuarı ayır

1. Çocuk kilidini aşağı bastırın.
- #### Şekil G
- Jet tuşu kilitlemiştir.
 2. Serbest bırakma düğmesine basın ve parçaları birbirinden çekin.

Şekil L

Şekil M

İşletme

Su doldurunuz

Not

Piyasada bulunan damıtılmış suyun düzenli olarak kullanılması halinde, buhar kazanında kireç çözme işleminin yapılmasına gerek kalmamaktadır.

Not

Sıcak su ısıtma süresini kısaltır.

Not

Bu amaçla sağlanan ölçüm kabını kullanınız. Su doldurma işlemi sırasında işarete dikkat ediniz (azami 200 ml).

1. Güvenlik kilidini sökünüz.

Şekil B

2. Buhar kazanına azami 200 ml damıtılmış su veya musluk suyu doldurun.
3. Güvenlik kilidini takınız.

Şekil C

Cihazın çalıştırılması

⚠UYARI

Haşlanma tehlikesi

Cihaz, yan tarafa doğru 30°den fazla eğildiğinde yüksek su çıkışı mevcuttur.

Cihazı, yan tarafa doğru 30°den (azami açı) fazla eğmeyiniz.

1. Cihazı sağlam bir zemin üzerine yerleştirin.
2. Elektrik şebekesi fişini bir prize takınız.

Şekil D

Kontrol lambası yeşil yanar.

Cihaz yaklaşık 3 dakika sonra kullanıma hazırdır.

Şekil E

3. Çocuk kilidini yukarı doğru bastırın.

Şekil G

Buhar tuşunun kilidi açılmıştır.

4. Buhar tuşuna basınız.

Şekil H

Buhar çıkışı mevcuttur.

Su ilave etme

Çalışma sırasında buhar miktarı azalırsa veya artık buhar kalmadığında su takviyesi yapılması gerekir.

Not

Buhar kazanı basınç altındayken güvenlik kilidi açılmaz.

Not

Sıcak su ısıtma süresini kısaltır.

1. Cihazı kapatınız, bkz. Bölüm Cihazı kapatınız.

Şekil Q

2. Güvenlik kilidini sökünüz.
 3. Suyu kazandan tamamen boşaltınız.
- #### Şekil R
4. Buhar kazanına azami 200 ml damıtılmış su veya musluk suyu doldurun.
 5. Güvenlik kilidini takınız.
 6. Elektrik şebekesi fişini bir prize takınız.
 7. Çocuk kilidini yukarı doğru bastırın.
Buhar tuşunun kilidi açılmıştır.
Cihaz kullanıma hazırdır.

Cihazı kapatınız

1. Elektrik şebekesi fişini prizden çıkarınız.

Şekil Q

2. Buhar çıkmayınca kadar buhar tuşuna basınız.
Buhar kazanı basınçsız hale getirilmiştir.
3. Çocuk kilidini aşağı bastırın.

Buhar kazanını durulayınız

Çalışmanın tamamlanmasından sonra cihazın buhar kazanını durulayınız.

1. Cihazı kapatınız, bkz. Bölüm Cihazı kapatınız.
2. Cihazı soğumaya bırakın.
3. Aksesuarı ayırınız.
4. Kazanı su ile doldurun ve kuvvetli bir şekilde sallayın. Bu şekilde, buhar kazanının tabanında biriken kireç kalıntıları çözülmektedir.
5. Suyu kazandan tamamen boşaltınız.

Şekil R

Cihazı muhafaza ediniz

1. Aksesuarı ayırınız.
 2. Suyu kazandan tamamen boşaltınız.
- #### Şekil R
3. Şebeke bağlantı kablolarını su tankının etrafına sarınız.
 4. Aksesuarları bir süre kurumaya bırakınız.
 5. Cihazı kuru ve donma tehlikesi bulunmayan bir ortamda saklayın.

Önemli kullanım talimatları

Taban Yüzeyini Temizleyiniz

Cihazı kullanmadan önce zemini süpürmenizi veya haşalandırmanızı öneririz. Böylece ıslak temizleme işleminden önce toprak, kir ve gevşek parçacıklardan arındırılmıştır.

Kumaşların tazelenmesi

Cihazı kullanmadan önce, cihazın kumaş ürünleri ile uyumluluğunu görülmeyen bir yer üzerinde daima kontrol ediniz: Kumaşı kurutun, kurumasını bekleyin ve ardından renk veya şekil değişiklikleri olup olmadığını kontrol edin.

Temiz kaplanmış veya verniklenmiş yüzeyleri temizleyin

DIKKAT

Hasar görüş yüzeyler

Buhar balmumunu, mobilya cilasını, plastik kaplamaları veya boyayı ve ayrıca kenarlarda bulunan kenarlıklar çözebilir.

Buharı yapışkan kenarlara maruz bırakmayın, zira kenarlık gevşeyebilir.

Cihazı, mühürlü olmayan ahşap veya parke zeminleri temizlemek için kullanmayın.

Cihazı boyalı veya plastik kaplanmış yüzeyleri, örneğin mutfak mobilyaları, kapılar veya parke temizlemek için kullanmayın.

1. Bu yüzeyleri temizlemek için, bir bezi kısa süreli olarak buhara tutun ve yüzeyi siliniz.

Cam Temizliği

DIKKAT

Cam kırığı ve hasar görmüş yüzey

Buhar pencere çerçevesinin kapalı alanlarına zarar verebilir ve düşük dış hava sıcaklıklarında cam bölmelerinin yüzeyinde gerilmelere ve dolayısıyla cam kırılmasına neden olabilir.

Buharı pencere çerçevesinin kapalı alanlarına yöneltmeyin.

Tüm cam yüzeyini hafiften buhara maruz bırakarak, düşük dış sıcaklıklarda pencere camlarını ısıtınız.

- Pencere yüzeyini portatif jet ve kaplama ile temizleyin. Suyu temizlemek için bir cam sileceği kullanın veya yüzeyi silerek kurulaın.

Aksesuarların kullanımı

Buhar jeti / Buhar tabancası

Buhar jeti veya buhar tabancası aksesuarsız bir şekilde aşağıdaki uygulamalar için kullanılabilir:

- Asılı kıyafetlerden hafif buruşuklukları arındırmak için: Kıyafete 10-20 cm mesafeden buhar uygulayın.
- Islak toz silmek için: Bir bezi kısa süre buhar tutun ve bununla mobilyaları silin.

Nokta huzme memesi

Nokta huzme memesi ulaşılması zor alanların, derzlerin, armatürlerin, atık su kanallarının, yıkama lavabolarının, tuvaletlerin, panjurların veya radyatörlerin temizliği için uygundur. Nokta huzme memesinin kirlilikten uzakta olması, sıcaklık ve meme çıkışındaki buhar miktarı en yüksek düzeyde olduğundan temizliği daha etkili kılmaktadır. Kuvvetli kablo kalıntılarını buharlı temizleme öncesi uygun bir temizleme maddesi ile elden geçirilebilir. Temizleme maddesinin yaklaşık 5 dakika etki etmesini bekleyin ve ardından buhara temizleyin.

1. Nokta huzme memesinin ucunu buhar enjektörü veya buhar tabancası üzerine itin.

Şekil F

Şekil J

Yuvarlak fırça

Yuvarlak fırça zor kirlerin temizlenmesi için uygundur. Fırçalar vasıtasıyla zor kirlerin daha kolay çözülmesi mümkündür.

DIKKAT

Hasar görüş yüzeyler

Fırçanın hassas yüzeyleri çizmesi olasıdır.

Hassas yüzeylerin temizliği için uygun değildir.

1. Yuvarlak fırçayı nokta jet nozülü üzerine monte edin.

Şekil K

Güç jeti

Güç jeti, zor kirlerin temizlenmesi, köşelerin püskürtülmesi, derz temizliği için uygundur.

1. Güç jeti nozülünü yuvarlak fırçaya uygun bir şekilde nokta jet nozülü üzerine monte edin.

Şekil K

El memesi

El memesi, küçük yıkanabilir yüzeyleri, duş kabinlerinin ve aynaların temizliği için uygundur.

1. El memesini nokta huzme memesine uygun olarak buhar enjektörünün veya buhar tabancasının üzerine itin.

Şekil J

2. Kılıf el memesinin üzerine geçirin.

Yer jeti

Yer jeti, yıkanabilir duvar ve yer döşemelerinin, taş zeminlerin, fayansların ve PVC zeminler gibi yerlerin temizliği için uygundur.

DIKKAT

Buhar kaynaklı hasarlar

Isı ve nem hasara neden olabilir.

Kullanım öncesi, ısı direncini ve buharın etkisini gözle görülmeyen bir yerde az miktarda buhar ile kontrol edin.

Not

Temizlenecek yüzey üzerindeki temizlik maddesi kalıntıları veya bakım emülsiyonları, buharlı temizleme sırasında çizgilere neden olabilmekle birlikte bunlar birkaç uygulamadan sonra kaybolmaktadır.

Cihazı kullanmadan önce zemini süpürmenizi veya havalandırmanızı öneririz. Böylece ıslak temizleme işleminden önce toprak, kir ve gevşek parçacıklardan arındırılmıştır. Çok kirlili yüzeylerde yavaşça çalışın, böylece buhar daha uzun süre etki göstermeye devam edebilir.

1. Uzatma borularını buhar tabancasına bağlayın.

Şekil N

2. Yer jetini uzatma borusunda sürün.

Şekil O

3. Yer besini yer jetine sabitleyin.
 - a. Yer bezini, cırt cırt bantlar ile yukarı doğru olacak şekilde yere koyun.
 - b. Yer jetini hafif baskı uygulayarak yer bezi üzerine koyun.

Şekil P

Yer bezi, cırt cırt sabitleme sayesinde yer süpürme başlığına kendiliğinden yapışır.

Zemin bezinin sökülmesi

1. Zemin bezinin ayak plakası üzerine bir ayak yerleştirin ve yer süpürme başlığını yukarı doğru kaldırın.

Şekil P

Not

Zemin bezinin cırt bandı başlangıçta çok güçlüdür ve yer süpürme başlığından çıkarılması muhtemelen zor olacaktır. Zemin bezi birkaç kez kullanıldıktan ve yıkandıktan sonra yer süpürme başlığından kolayca çıkarılır ve optimum yapışma seviyesine ulaşmış olur.

Bakım ve koruma

Buhar kazanındaki kireci giderme

Not

Piyasada bulunan damıtılmış suyun düzenli olarak kullanılması halinde, buhar kazanında kireç çözme işleminin yapılmasına gerek kalmamaktadır.

Not

Cihazda kireç biriktiğinden, cihaz üzerinde buhar kazanı üzerinde tabloda gösterilen dolum sayısına (KD = kazan dolumu) göre kireç temizleme işleminin gerçekleştirilmesini tavsiye ederiz.

| Sertlik alanı | °dH | mmol/l | KD |
|---------------|-------|---------|----|
| I yumuşak | 0-7 | 0-1,3 | 35 |
| II orta | 7-14 | 1,3-2,5 | 30 |
| III sert | 14-21 | 2,5-3,8 | 20 |
| IV çok sert | >21 | >3,8 | 15 |

Not

Şebeke suyu sağlayıcısı veya belediyeler musluk suyunun sertliği hakkında bilgi sağlamaktadır.

DIKKAT

Hasar görüş yüzeyler

Kireç giderme çözeltisi hassas yüzeylere zarar verebilir. Cihazı dikkatlice doldurun ve boşaltın.

1. Cihazı kapatın, bkz. bölüm Cihazı kapatınız.
2. Cihazı soğumaya bırakın.
3. Emniyet kilidini sökün.
4. Suyu kazandan tamamen boşaltın.

Şekil R

DIKKAT

Kireç çözücü kaynaklı cihaz hasarı

Uygun olmayan bir kireç çözücü ajan ve aynı zamanda kireç çözme maddesinin hatalı dozlanması cihaza zarar verebilir.

Sadece KÄRCHER kireç çözücüsünü kullanın.

0,5 l su için 1 doz birimi kireç çözücü kullanın.

5. Kireç çözme çözeltisini, kireç çözme maddesi üzerinde belirtildiği şekilde ekleyin.
6. Buhar kazanına kireç çözme çözeltisi ekleyin. Buhar kazanını kapatmayın.
7. Kireç çözücünün yaklaşık 8 saat etki göstermesini bekleyin.
8. Kireç çözücüyü buhar kazanından tamamen boşaltın.
9. Kireç çözme işlemini gerekli olduğu takdirde tekrarlayın.
10. Buhar kazanının 2-3 defa soğuk su ile durulayıp kireç çözücü kalıntılarının atılmasını sağlayın.
11. Suyu kazandan tamamen boşaltın.

Şekil R

Aksesuarın Bakımı

(Aksesuar - teslimat kapsamına bağlı olarak)

Not

Mikrofiber bezler kurutucu içerisinde kurutulmaya uygun değildir.

Not

Bezlerin yıkanmasına yönelik olarak bezlerin üzerindeki yönergelere dikkat ediniz. Bezin kirleri iyi emebilmesini için kumaş yumuşatıcı kullanılmaması gerekir.

1. Yer bezleri ve kılıflarını çamaşır makinesinde asgari 60°C'de yıkayınız.

Arızalarda yardım

Arızaların sebepleri çoğu zaman aşağıdaki genel bakım yardımıyla kendiniz giderebileceğiniz kadar basittir. Kararsızlık durumunda veya burada adı geçmeyen arızalara lütfen yetkili müşteri hizmetlerine başvurun.

⚠ UYARI

Elektrik çarpması ve yanma tehlikesi

Cihaz elektrik şebekesine bağlı olduğu veya henüz soğuduğu sürece, sorun giderme gerçekleştirmek tehlikelidir.

Elektrik şebekesi fişini çekin.

Cihazı soğumaya bırakın.

Düşük buhar miktarı

Buhar jeti tıkalıdır.

1. Aksesuarı buhar jetinden ayırın.
2. Jet ekini temizleyin.
3. Cihazı kısa bir süre çalıştırın.
4. Aksesuarı buhar jeti üzerine takın.

Buhar kazanı kireçlenmiştir.

- Buhar kazanını kireçten arındırın.

Buhar mevcut değil

Buhar kazanında su mevcut değildir

- Su takviye edin, bkz. Bölüm Su ilave etme.

Buhar taşına basmak mümkün değil

Buhar tuşu çocuk kilidi ile emniyete alınmıştır.

- Çocuk kilidini yukarı doğru bastırın.

Buhar tuşunun kilidi açılmıştır.

Yüksek su boşaltımı

Cihaz su "kusuyor"

- Cihazı temizlik sırasında 30°'den (azami açı) fazla yana doğru eğmeyin.
- 200 ml olan azami dolum miktarını aşmayın.

Teknik bilgiler

Elektrik bağlantısı

| | | |
|---------------|----|---------|
| Gerilim | V | 220-240 |
| Faz | ~ | 1 |
| Frekans | Hz | 50-60 |
| Koruma türü | | IPX4 |
| Koruma sınıfı | | I |

Performans verileri

| | | |
|-----------------------|--------|------|
| Isıtma gücü | W | 1200 |
| Azami işletim basıncı | MPa | 0,3 |
| Isıtma süresi | Dakika | 3 |
| Sürekli buharlama | g/dk | 35 |
| Azami buhar gücü | g/dk | 80 |

Dolum miktarı

| | | |
|---------------------|----|-----|
| Buhar kazanı | ml | 250 |
| Azami dolum miktarı | ml | 200 |

Ebatlar ve ağırlıklar

| | | |
|-----------------------------|----|-----|
| Ağırlık (aksesuarlar hariç) | kg | 1,5 |
| Uzunluk | mm | 321 |
| Genişlik | mm | 127 |
| Yükseklik | mm | 186 |

Teknik değişiklik hakkı saklıdır.



THANK YOU!
MERCI! DANKE! ¡GRACIAS!



Registrieren Sie Ihr Produkt und profitieren Sie von vielen Vorteilen.

Register your product and benefit from many advantages.

Enregistrez votre produit et bénéficiez de nombreux avantages.

Registre su producto y aproveche de muchas ventajas.

www.kaercher.com/welcome

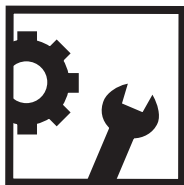


Bewerten Sie Ihr Produkt und sagen Sie uns Ihre Meinung.

Rate your product and tell us your opinion.

Évaluer votre produit et dites-nous votre opinion.

Reseñe su producto y díganos su opinión.



www.kaercher.com/dealersearch

Alfred Kärcher SE & Co. KG

Alfred-Kärcher-Str. 28-40

71364 Winnenden (Germany)

Tel.: +49 7195 14-0

Fax: +49 7195 14-2212

