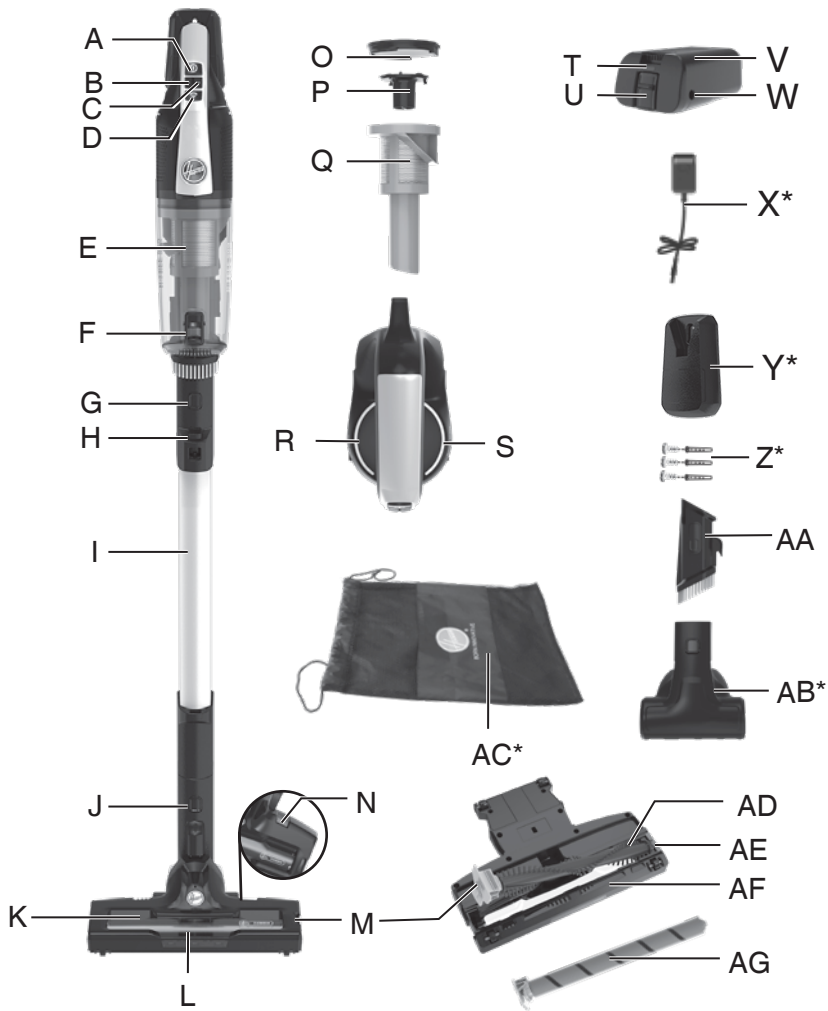


HOOVER

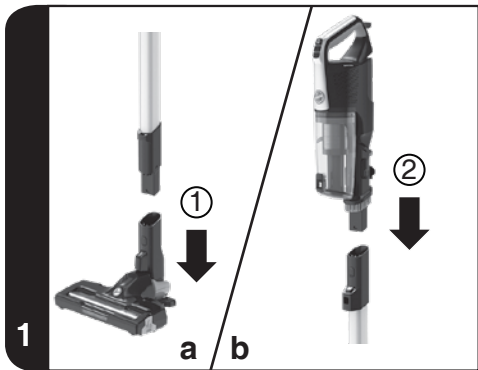


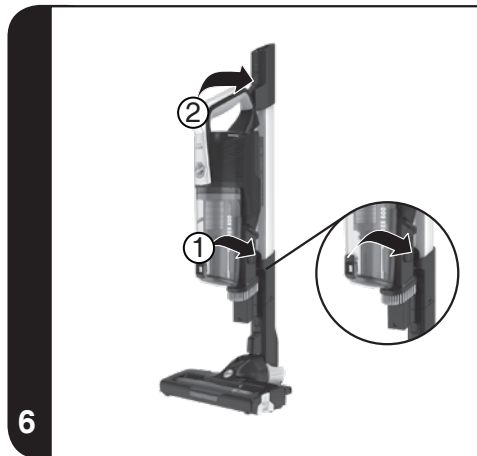
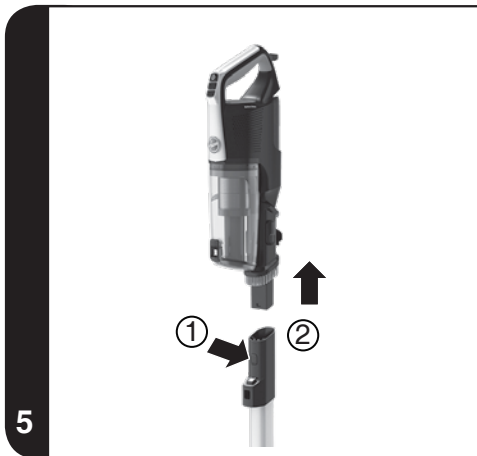
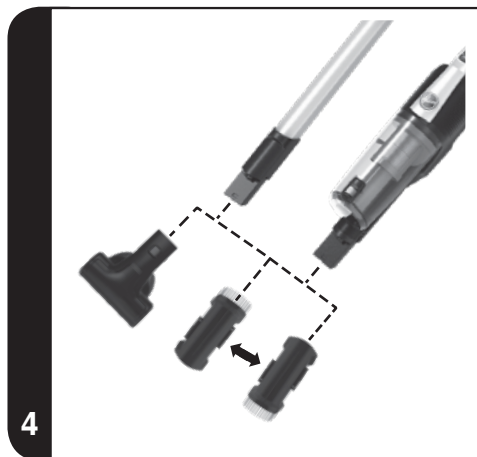
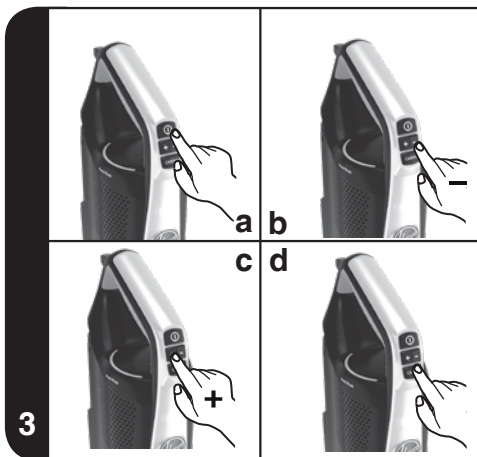
| | |
|-------------------------------------|-------|
| USER MANUAL (GB) | P 01 |
| MANUEL D'UTILISATION (FR) | P 08 |
| BEDIENUNGSANLEITUNG (DE) | P 15 |
| MANUALE D'ISTRUZIONI (IT) | P 22 |
| MANUAL DE INSTRUÇÕES (PT) | P 29 |
| MANUAL DE INSTRUCCIONES (ES) | P 36 |
| GEBRUIKERSHANDLEIDING (NL) | P 42 |
| BRUGERVEJLEDNING (DK) | P 50 |
| BRUKSANVISNING (NO) | P 57 |
| KÄYTTÖOHJE (FI) | P 64 |
| INSTRUKTIONSMANUAL (SE) | P 71 |
| ΟΔΗΓΙΕΣ ΧΡΗΣΕΩΣ (GR) | P 78 |
| РУКОВОДСТВО ПОЛЬЗОВАТЕЛЯ (RU) | P 85 |
| INSTRUKCJA OBSŁUGI (PL) | P 92 |
| NÁVOD K OBSLUZE (CZ) | P 99 |
| NAVODILA ZA UPORABO (SI) | P 106 |
| KULLANIM KILAVUZU (TR) | P 113 |

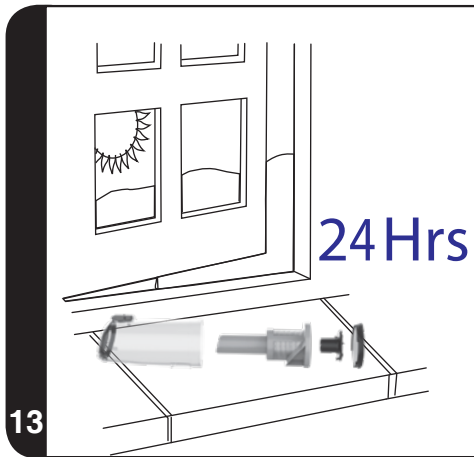
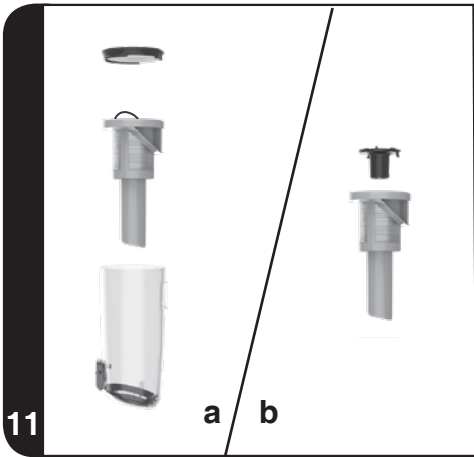
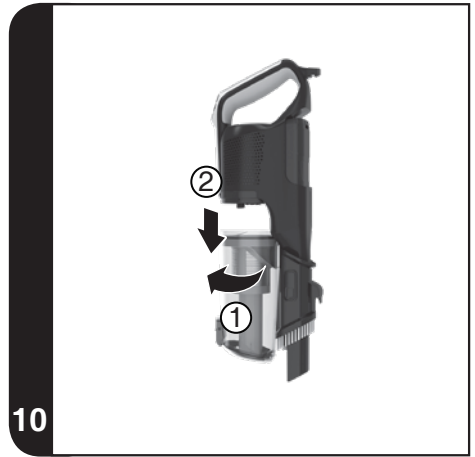
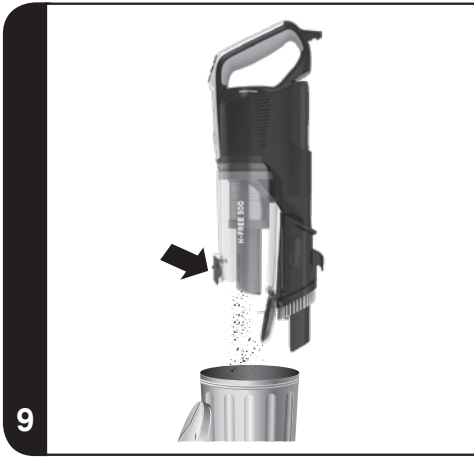




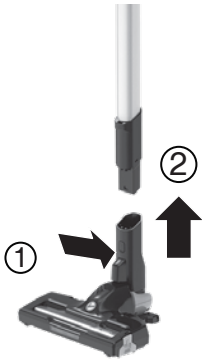
* Certain models only, accessories may vary according to model



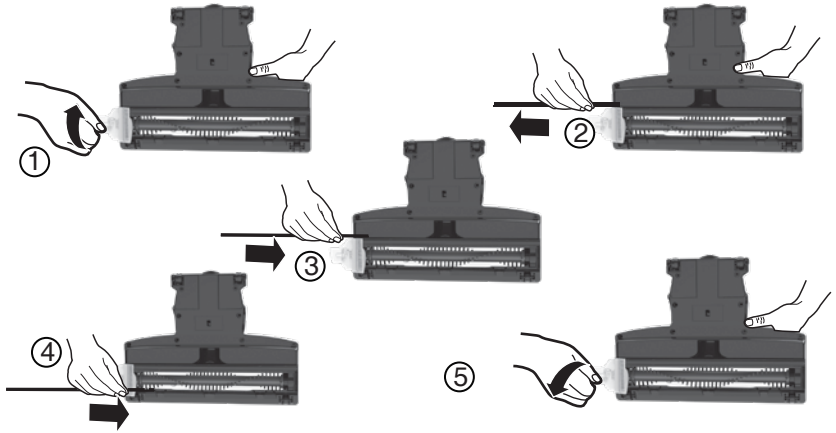




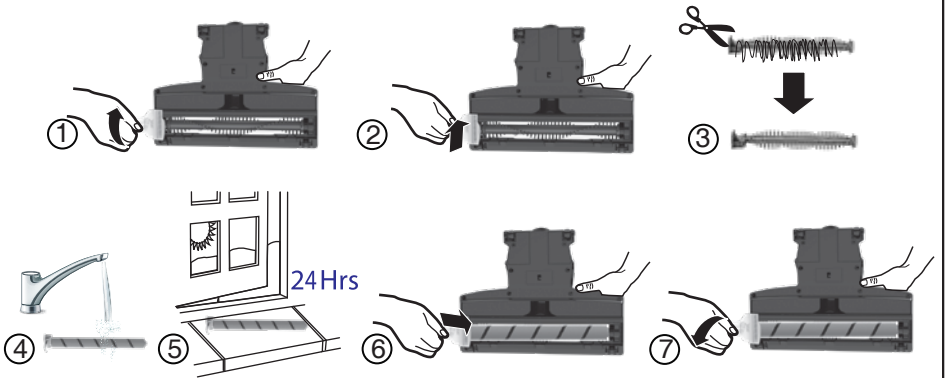
15



16



17



INSTRUCTIONS FOR SAFE USE

This appliance should only be used for domestic cleaning, as described in this user guide. Please ensure that this guide is fully understood before operating the appliance.

Always switch off and remove the charger from the socket before cleaning the appliance or any maintenance task.

This appliance can be used by children aged from 8 years and above and persons with reduced physical, sensory or mental capabilities or lack of experience and knowledge if they have been given supervision or instruction concerning use of the appliance in a safe way and understand the hazards involved. Children shall not play with the appliance. Cleaning and user maintenance shall not be made by children without supervision.

If the power cord is damaged stop using the appliance immediately. To avoid a safety hazard, an authorised Hoover service engineer must replace the power cord.

Keep hands, feet, loose clothing and hair away from rotating brushes.

Use only the original charger supplied with the appliance.

Check that your supply voltage is the same as that stated on the charger.

This appliance is supplied with a double insulated battery charger which is only suitable for insertion in a 230V (UK 240V) socket outlet.

Plug the charger in to suitable socket outlet and connect the charger jack plug to the appliance.

Switch off the appliance before charging.

Before first use, charge your appliance for at least 24 hours. The battery pack LED light will illuminate RED during charging and will turn WHITE when fully charged.

Re-connect the appliance to the charger after use to recharge the battery.

Never charge the batteries in temperatures above 37°C or below 0°C.

It is normal for the charger to become warm to the touch when charging.

Do not unplug the charger by pulling on the power cord.

Unplug the charger in the event of prolonged absence (holidays, etc.). Recharge appliance again before use as batteries may self discharge over increased periods of storage.

If the appliance is to be disposed of the batteries must first be removed. The appliance must be disconnected from the supply mains when removing the battery. Dispose of the batteries safely. Run the appliance until it stops because the batteries are fully discharged. Used batteries should be taken to a recycling station and not disposed of with household waste. To remove the batteries, please contact the Hoover Customer Centre or proceed according to the following instructions.

IMPORTANT: Always fully discharge the batteries before removal.

Run the cleaner until the batteries are completely empty.

Remove the charger jack plug from the appliance.

Press the battery pack release buttons and slide to remove.

NOTE: Should you experience any difficulty in dismantling the unit or for more detailed information on treatment, recovery and recycling of this appliance, please contact your local city office or your household waste disposal service.

Use only attachments, consumables or spares recommended or supplied by Hoover.

Static electricity: Some carpets can cause a small build up of static electricity. Any static discharge is not hazardous to health.

Do not use your appliance out of doors or on any wet surface or for wet pick up.

Do not pick up hard or sharp objects, matches, hot ashes, cigarette ends or other similar items. Do not spray with or pick up flammable liquids, cleaning fluids, aerosols or their vapours.

Do not run over the power cord when using your appliance or remove the plug by pulling on the power cord. Do not continue to use your appliance or charger if it appears faulty.

Hoover service: To ensure the continued safe and efficient operation of this appliance we recommend that any servicing or repairs are only carried out by an authorised Hoover service engineer.

Do not use the appliance to clean animals or people.


Do not replace the batteries with non-rechargeable batteries.

The Environment:

This appliance is marked according to the European directive 2011/65/EC on Waste Electrical and Electronic Equipment (WEEE). By ensuring this product is disposed of correctly, you will help prevent potential negative consequences for the environment and human health, which could otherwise be caused by inappropriate waste handling of this product. The symbol on the product indicates that this product may not be treated as household waste. Instead it shall be handed over to the applicable collection point for the recycling of electrical and electronic equipment. Disposal must be carried out in accordance with local environmental regulations for waste disposal. For more detailed information about treatment, recovery and recycling of this product, please contact your local city office, your household waste disposal service or the shop where you purchased the product.



| | |
|---|---|
| Frequency bands | 2400Mhz ~ 2483.5Mhz |
| Maximum RF power transmitted in the frequency band | 802.11 b: +20 dBm 802.11 g: +17 dBm 802.11 n: +14 dBm |

CE With this the Candy Hoover Group Srl, declares that this appliance marked with  complies with the essential requirements of the Directives 2014/53/EU and 2011/65/EU. To receive a copy of the declaration of conformity, please contact the manufacturer at: www.candy-group.com

CANDY HOOVER GROUP S.r.l. Via Privata Eden Fumagalli, 20861 Brugherio (MB) Italy

PRODUCT COMPONENTS

- | | |
|--|--|
| <ul style="list-style-type: none"> A. ON/OFF Button B. Turbo Button C. Silent Button D. Wi-Fi Switch E. Dust Cup F. Dust Bin Flap Release Button G. Handheld Release Button H. Storage Release Button I. Tube J. Nozzle Release Button K. Nozzle L. Nozzle Front Led Lights M. Nozzle Release Flap N. Brush Bar Status Led O. Pre-Motor Filter P. Single Cyclone Vortex Finder | <ul style="list-style-type: none"> Q. Single Cyclone R. Power Mode LED Light S. Battery Status LED Light T. Battery Charging Light U. Battery Release Button V. Battery Pack W. Battery Charging Inlet X. Charger Y. Wall Mount* Z. Wall Mount Screws* AA. Integrated 2in1 Dusting Brush and Furniture Tool AB. Mini Turbo Nozzle* AC. Accessories Bag* AD. Rear Soft Strip AE. Intense Floor Roller AF. Wiper Blade AG. Deep Care Roller |
|--|--|

PREPARING YOUR CLEANER

Carefully remove your product from the packaging.

1. Pick up the nozzle and extension tube, assemble one end of the tube into the nozzle neck until you hear it 'click' into location. **[1a]**
2. Pick up the Handheld unit and assemble onto the tube until you hear it 'click' into location. **[1b]**
3. Fix the Wall Mount to your wall using the screws and screw plugs provided. **[2]**
4. To fully charge the appliance, connect the charger jack plug to the battery pack. It will take around 6Hrs.

NOTE: To remove the nozzle, press the nozzle release button and pull away from the main body.

NOTE: Use only the charger supplied with your cleaner to recharge. It is normal for the charger to become warm to touch when charging.

* Certain Models Only

USING YOUR CLEANER

There are 4 working modes which you can detect from the colour of the Power Mode LED light.

- **STANDARD MODE:** When you press ON-OFF button, the cleaner is ready to clean thoroughly with the main motorised nozzle. The LED light is white. [3a]
- **SILENT MODE:** Press the Silent Mode button to clean thoroughly at the lowest noise level of this product. The light turns to green. [3b]
- **TURBO MODE:** Press the Turbo button to fully power the product for hard cleaning tasks. The LED light is blue. [3c]
- **AUTO MODE:** When you remove the nozzle or the tube, the product automatically adapts to a lower power for above floor cleaning, with non-motorised tools. The LED light is light blue/cyan.

BRUSH BAR STATUS

The brush bar status LED on the nozzle will stay illuminated white during all floor cleaning modes and will turn red if the safety protection system is activated. [14]

Wi-Fi SETUP

NOTE: This product features Wi-Fi connection to enhance your interaction with your cleaner. It allows you to get statistics on product usage, how best to use and monitor the overall maintenance off your product to guarantee the performance.

Enrollment

You can switch the Wi-Fi On/Off by pressing the Wi-Fi button as shown in the diagram. [3d] The LED light will continuously flash until the vacuum cleaner is connected to the Hoover Wizard App.

1. You can download the Hoover Wizard Application by scanning the QR code located on the cover of this manual.
2. Install it on your smartphone.
3. Follow the instructions in the App to setup your vacuum cleaner.

When installed correctly, your smart phone will connect automatically.

RESET Wi-Fi

You can reset your vacuum cleaner by pressing the Wi-Fi button for 5 seconds until the LED light starts flashing.

You need to reconnect the vacuum cleaner to the APP again.

NOTE: once you lock the product by App, you can unlock it both by App or pressing "Turbo" and "Silent" button on the product for 3 seconds at the same time.

SELECT SUITABLE ROLLER FOR BEST CLEANING

Intense Floor roller*: it is recommended to use on carpet which can go deep into the carpet to clean the dust.

Deep Care roller*: it is recommended to use on hard floor or delicate parquet. Thanks to the soft bristles you can gently clean those type of floors.

IMPORTANT: Always switch off the cleaner before changing and cleaning the agitator.

NOTE: To fit the Roller you would like to use: [17]

1. Detach the agitator release button flap. It is positioned on the lateral part of the nozzle.
2. Hold the agitator release flap and pull down to remove the agitator.
3. Replace with Intense Floor Roller or with the Deep Care Roller.
4. Re-fit in position the agitator release flap.

WIPER BLADE ASSEMBLY

To obtain the best crevice and carpet performance, it is recommended to assemble the front and rear wiper blades to the soleplate of the nozzle.

To do this, open the agitator release flap and remove the soft strip. Then grip one wiper blade, by inserting one end into the rear slot and slide it in until fully home. Repeat these operations for the second wiper blade and slide it in the front slot. Lock the agitator release flap. [16]

* Certain Models Only

STORAGE FUNCTION

After use, your cleaner has 2 convenient storage methods.

1. WALL MOUNT STORAGE

Your product is supplied with a wall mount for convenient easy storage. Using the screws provided, fix the Wall mount to your wall. After product use, simply place your cleaner into location. [2]

2. COMPACT STORAGE/PARKING MODE

To store the product on the tube, remove the handheld unit by pressing the handheld release button. [5]

Ensure the onboard 2 in 1 tool (AA) is returned to its original position as supplied ensuring the tool is located fully home with the dusting brush and locating hook in the downward position.

Assemble the locating hook into the lower slot on the tube, and push the rear handle fully home into the locking mechanism located at the top of the tube. [6]

SAFETY PROTECTION SYSTEM

To ensure the reliability of the product is not affected if used under arduous conditions, the product features two integrated Safety protection systems, one on the cleaner and one on the nozzle.

NOTE: The Safety protection system will action in two conditions:

1. if there are obstructions in the air inlet or in the tube, the cleaner will be protected and turn OFF, and the LED light on the main unit turns to red. If this happens simply check if there are any obstructions in the tube or in the air inlet of the handheld. Remove it and switch ON again.
2. if the agitator has a blockage or is locked, once actioned, the agitator will stop rotating and the WHITE LED lights on the nozzle will turn to RED. [14] If this happens, simply turn off your product and clear the agitator obstruction. To resume cleaning, press the on/off button and the product will start working again.

BATTERY

This cleaner is equipped with a Battery Status LED Light. When the product is ON, the LED light illuminates in different colours to show the battery level.

BATTERY LEVEL:

White colour: 100% - 70% charge

Blue colour: <70% - 40% charge

Red colour: <40% - 10% charge

Red blinking: <10% charge

There are 2 methods of charging:

Charge the battery when fitted to the product.

Insert the battery charger jack to the battery. The LED status indicator will illuminate RED when charging. When charging is complete, the LED status indicator will illuminate WHITE for 1 min then switch off. [7]

Charge the battery when removed from the product.

Remove the battery from the product by pressing the battery release buttons.

Insert the battery charger jack to the battery. The battery pack LED will illuminate RED when charging. When charging is complete, the LED indicator will illuminate WHITE. [8]

NOTE: It is normal for the charger to become warm to touch when charging. Use only the charger supplied with your product.

ACCESSORIES

CREVICE TOOL INTEGRATED ON THE HANDHELD, CREVICE TOOL INTEGRATED ON THE TUBE, 2IN1 FURNITURE TOOL & DUSTING BRUSH AND MINI TURBO NOZZLE.

Integrated Crevice Tools - ideal for accessing tight spaces.

Dusting Brush - ideal for cleaning surfaces without damaging or scratching.

Furniture Nozzle - ideal for cleaning surfaces like sofa.

All the accessories can be fitted on the main product and on the tube. [4]

NOTE: The mini-turbo nozzle is ideal for deep cleaning textile surfaces (i.e. sofas) and pet hair removal. Move it steadily backwards and forwards. After using, please remove hair / threads collected on the brush with scissors if necessary.

ACCESSORY BAG*

Accessories can be stored in the accessory bag.

* Certain Models Only

Wall Mount*

Hang the wall mount to the wall, using the two screws included in the product to hang product. [2]

CLEANER MAINTENANCE

Pre-filter maintenance reminder. If the pre-filter needs maintenance, the red light on the cleaner starts to blink in red colour.

Emptying the Dust Container

1. Press the main body release button and remove the tube. [5]
2. Press the dust cup empty button to release the bin flap and empty the contents. [9]
3. Close dust bin flap release button, you will hear a click when fully locked.

NOTE: It is recommended to empty the dust cup after each use or when dust is up to the max fill line.

Cleaning the Dust Container and Filter

The LED indicator on the product will flash RED to indicate the cleaning Pre-motor Filter is required.

1. Press the handheld release button and remove the handheld unit from the tube. [5]
2. Press the battery release button and remove the battery. [8]
3. Remove the dust bin assembly by turning it and pulling away from the unit. [10]
4. Remove the Pre-Motor filter pulling the support from the bin assembly. [11a]
5. Remove the single cyclone system pulling the metal ring from the bin assembly.
6. Remove vortex finder by rotating clockwise and pull from the cyclone system. [11b]
7. Wash the filter and single cyclone system in lukewarm water and leave to dry for 24 hours. [12,13]
8. Reassemble once completely dry and refit to the product.

NOTE: Do not use hot water or detergents when cleaning the pre-motor filter. In the unlikely event of the pre-motor filter becoming damaged, fit a genuine Hoover replacement. Please ensure you refit the pre-motor filter before assembling dust bin to cleaner main body as filter protection mechanism will be activated.

IMPORTANT: For optimum performance, always keep your filter clean. We recommend that the filter should be washed at least every two weeks.

Changing and Cleaning the Agitator

IMPORTANT: Always switch off the cleaner before changing and cleaning the agitator.

1. Remove the nozzle from the tube.
2. Detach the agitator release button flap. It is positioned on the lateral part of the nozzle. [17]
3. Hold the agitator release flap and remove the agitator.
4. To clean the Intense Floor Roller, remove excess debris using scissors.
5. Re-fit the agitator. The agitator can only fit in one direction.
6. Close the agitator release flap to secure the agitator in position.

Replacing the Batteries

This cleaner is fitted with a rechargeable lithium ion battery pack which is replaceable.

WARNING: Only use approved replacement parts for your cleaner. Using parts not validated by Hoover are dangerous and will invalidate your guarantee.

WARNING: Do not try to open the battery pack and repair it by yourself.

1. Press the battery release buttons and pull the battery outside. [8]
2. Removed the old battery pack and replace with the new battery pack.
3. Dispose of the batteries safely. Used batteries should be taken to a recycling station and not disposed of with household waste.

TROUBLE SHOOTING

Should you have any problem with your cleaner, follow this simple check list before calling the Hoover Customer Service Centre:

A. Cleaner does not switch on

Check if the cleaner is charged.

Check if the battery pack is assembled in place.

B. Cleaner stop working

Check if there is an obstruction in air inlet or in the tube, clear it and ensure the product is OFF. Once this is done simply press the on/off button, the product will start working again.

C. Loss of suction or no suction

Empty the dust cup and wash the pro-filter and separator.
Remove nozzle and check for any blockages in the duct.

D. Batteries cannot be charged

This may be a result of very long storage periods (over half year).
Contact Hoover customer service to arrange battery replacement.
If the problem persists, contact the Hoover customer service center.

HOOVER SPARES AND CONSUMABLES

Always replace parts with genuine Hoover spares. These are available from your local Hoover dealer or direct from Hoover.
When ordering parts always quote your model number.

YOUR GUARANTEE

The guarantee conditions for this appliance are as defined by our representative in the country in which it is sold. Details regarding these conditions can be obtained from the dealer from whom the appliance was purchased. The bill of sale or receipt must be produced when making any claim under the terms of this guarantee.

IMPORTANT: the battery in this cleaner is guaranteed for 2 years from the date of purchase. After 2 years the customer is liable for the cost of a new battery.

Subject to change without notice.

INSTRUCTIONS DE SÉCURITÉ D'UTILISATION

Cet appareil ne doit être utilisé que pour un nettoyage domestique, conformément à ce guide d'utilisation. Veuillez vous assurer que ces instructions sont parfaitement comprises avant d'utiliser l'appareil.

Il convient de toujours éteindre et mettre le chargeur hors tension avant d'entreprendre des opérations de nettoyage ou d'entretien de l'appareil.

Cet appareil peut être utilisé par des enfants âgés d'au moins 8 ans et par des personnes ayant des capacités physiques, sensorielles ou mentales réduites, ou n'ayant pas d'expérience ou de connaissances en la matière. Ces dernières doivent recevoir des instructions sur l'utilisation de l'appareil en toute sécurité et comprendre les risques impliqués. Les enfants ne doivent pas jouer avec l'appareil. Le nettoyage et l'entretien ne devraient pas être effectués par des enfants sans supervision.

Si le cordon d'alimentation est endommagé, arrêtez immédiatement d'utiliser l'appareil. Pour éviter les risques d'accident, un réparateur Hoover agréé doit remplacer le cordon d'alimentation.

Maintenez les mains, pieds, vêtements et cheveux à distance des brosses rotatives.

Utilisez uniquement le chargeur d'origine qui vous a été fourni avec l'appareil.

Vérifiez que la tension de l'alimentation est la même que celle indiquée sur le chargeur.

Cet appareil Hoover est fourni avec un chargeur de batterie doublement isolé qui n'est adapté qu'à une prise de 230 V (240 V Grande-Bretagne).

Branchez le chargeur dans une prise adaptée et connectez la prise jack du chargeur dans l'appareil.

Éteignez l'appareil avant de le charger.

Avant la première utilisation, rechargez votre aspirateur pendant au moins 24 heures. Le voyant LED du bloc batterie s'illumine en ROUGE lors de la charge et deviendra BLANC lorsque l'appareil est entièrement chargé.

Rebranchez l'appareil au chargeur après l'utilisation pour recharger les batteries.

Ne rechargez jamais les batteries dans des températures de plus de 37°C ou en-dessous de 0°C.

Il est normal pour le chargeur de devenir chaud au toucher lorsqu'il est en train de charger.

Ne pas débrancher en tirant sur le cordon d'alimentation.

Débranchez le chargeur en cas d'absence prolongée (vacances,

etc.). Rechargez l'appareil de nouveau avant de l'utiliser car les batteries peuvent se décharger toutes seules si elles sont stockées pendant longtemps.

Si vous mettez l'appareil à la poubelle, il convient de retirer les batteries d'abord. L'appareil ne doit pas être branché à la prise, lorsque vous retirez les batteries. Mettez les batteries à la poubelle, dans un endroit sûr. Laissez fonctionner l'appareil jusqu'à l'arrêt total de l'appareil dû au fait que les batteries sont entièrement déchargées. Des batteries usées doivent être amenées à un point de recyclage et non pas être éliminées avec les ordures ménagères. Pour retirer les batteries, veuillez contacter le centre d'assistance Hoover ou suivez les instructions suivantes.

IMPORTANT : Déchargez toujours complètement les piles avant de les retirer.

Faites fonctionner le nettoyeur jusqu'à ce que les batteries soient complètement vides.

Retirez la prise jack du chargeur de l'appareil.

Appuyez sur les boutons de déverrouillage du bloc batterie et faites glisser le bloc batterie pour le retirer.

REMARQUE : Si vous rencontrez des difficultés en démontant l'unité ou si vous souhaitez obtenir de plus amples informations concernant le traitement, la récupération et le recyclage de cet appareil, veuillez contacter les services de votre ville locale ou un service de traitement des ordures ménagères.

N'utilisez que les accessoires, les consommables et les pièces de rechange recommandés ou fournis par Hoover.

Electricité statique : Certains tapis peuvent entraîner une petite accumulation d'électricité statique. Les décharges d'électricité statique ne sont pas dangereuses pour la santé.

N'utilisez pas votre appareil à l'extérieur, sur une surface humide ou pour un ramassage humide.

N'aspirez pas d'objets durs ou tranchants, d'allumettes, de cendres chaudes, de mégots de cigarettes ou d'autres objets similaires. Ne pulvérisez ou n'aspirez pas des liquides inflammables, des produits d'entretien liquides, des aérosols ou leurs vapeurs.

Ne marchez pas sur le cordon d'alimentation lorsque vous utilisez votre appareil et ne le débranchez pas de la prise en tirant sur le cordon d'alimentation. Ne continuez pas à utiliser votre appareil ou votre chargeur s'il semble défectueux.

Service Hoover : Pour assurer l'utilisation sûre et efficace de cet appareil, nous recommandons de n'en confier l'entretien et les réparations qu'à un réparateur Hoover agréé.

N'utilisez pas l'appareil sur des personnes ou des animaux.

Ne remplacez pas les batteries avec des batteries non rechargeables.

Environnement :

Cet appareil porte des marques conformes à la directive européenne 2011/65/EC relative aux déchets d'équipements électriques et électroniques (DEEE). Si vous jetez ce produit convenablement, vous contribuerez à éviter des conséquences potentiellement nuisibles pour l'environnement et pour la santé. Le symbole figurant sur le produit indique qu'il ne peut pas être mis à la poubelle avec les ordures ménagères. Vous devez le déposer dans un centre de recyclage des déchets électriques et électroniques. La déposition doit être effectuée conformément à la réglementation locale en matière de déchets. Pour obtenir des compléments d'information sur le traitement, la récupération et le recyclage de ce produit, merci de contacter votre municipalité, le service local des ordures ménagères ou le lieu d'achat du produit.



| | |
|--|---|
| Bandes de fréquence | 2400Mhz ~ 2483.5Mhz |
| Puissance RF maximale transmise sur la bande de fréquence | 802.11 b: +20 dBm 802.11 g: +17 dBm 802.11 n: +14 dBm |

Grâce à cela, le Groupe Candy Hoover déclare que cet appareil est conforme aux exigences fondamentales des Directives 2014/53/UE et 2011/65/UE. Pour recevoir une copie de la déclaration de conformité, veuillez contacter le fabricant à l'adresse suivante : www.candy-group.com

CANDY HOOVER GROUP S.r.l. Via Privata Eden Fumagalli, 20861 Brugherio (MB) Italy

COMPOSANTS DU PRODUIT

- | | |
|--|---|
| <ul style="list-style-type: none"> A. Commutateur Marche/Arrêt B. Bouton turbo C. Bouton silencieux D. Interrupteur WIFI E. Récipient à poussière F. Bouton de déverrouillage du volet du bac à poussière G. Bouton de déverrouillage portable H. Bouton de déverrouillage du stockage I. Tube J. Bouton pour détacher la brosse K. Brosse L. Voyants LED avant de la brosse M. Volet de dégagement de la brosse N. Voyant LED d'état de la barre de brosse O. Filtre pré-moteur P. Détecteur Vortex à cyclone unique Q. Simple Cyclone | <ul style="list-style-type: none"> R. Voyant LED de mode d'alimentation S. Voyant LED d'état de la batterie T. Voyant de charge de la batterie U. Bouton de déverrouillage de la batterie V. Bloc batterie W. Entrée de charge de la batterie X. Chargeur Y. Support mural* Z. Vis de montage mural* AA. Brosse de dépeussièrement et accessoire de meuble 2 en 1 intégrés AB. Mini turbobrosse* AC. Sac d'accessoires* AD. Bande souple arrière AE. Rouleau pour électrobrosse (idéal pour sols durs) AF. Lame de balayage AG. Rouleau doux d'entretien en profondeur (idéal pour parquets et sols délicats) |
|--|---|

PREPARATION DE L'APPAREIL

Enlevez soigneusement le produit de l'emballage.

1. Ramassez la brosse et le tube de rallonge, montez une extrémité du tube dans le col de la brosse jusqu'à ce qu'elle s'enclenche en place. **[1a]**
2. Ramassez l'unité portable et montez-la sur le tube jusqu'à ce qu'elle s'enclenche en place. **[1b]**
3. Fixez le support mural au mur à l'aide des vis et des chevilles plastique. **[2]**
4. Pour entièrement charger l'appareil, connectez la prise jack du chargeur à la batterie. Cela prendra environ 6 heures.

REMARQUE : Pour enlever la brosse, appuyez sur le bouton pour détacher la brosse et enlevez-la du corps principal.

REMARQUE : N'utilisez que le chargeur fourni avec votre nettoyeur pour recharger. Il est normal pour le chargeur de devenir chaud au toucher lorsqu'il est en train de charger.

* Sur certains modèles uniquement

UTILISATION DE L'APPAREIL

Il existe 4 modes de travail que vous pouvez détecter à partir de la couleur du voyant LED du mode d'alimentation.

- **MODE STANDARD** : Lorsque vous appuyez sur le bouton MARCHE-ARRÊT, l'aspirateur est prêt à nettoyer à fond à l'aide de la brosse motorisée principale. Le voyant LED est blanc. [3a]
- **Mode silencieux** : Appuyez sur le bouton silence pour nettoyer au niveau sonore le plus bas après avoir mis en marche votre aspirateur. Le voyant devient vert. [3b]
- **MODE TURBO**: Appuyez sur le bouton Turbo afin d'obtenir la pleine puissance nécessaire pour le nettoyage des sols durs après avoir mis en marche votre aspirateur. Le voyant LED est bleu. [3c]
- **MODE AUTOMATIQUE** : Lorsque vous retirez la brosse ou le tube, le produit s'adapte automatiquement à une puissance inférieure destinée au nettoyage des sols en hauteur, à l'aide d'accessoires non motorisés. Le voyant LED est bleu clair/cyan.

ÉTAT DE LA BARRE DE BROSSE

Le voyant LED d'état de la barre de brosse sur la buse reste illuminé en blanc pendant tous les modes de nettoyage de sol et devient rouge si le système de protection de sécurité s'active. [14]

CONFIGURATION Wi-Fi

REMARQUE : Ce produit est doté d'une connexion wifi pour améliorer l'interaction avec l'appareil. Cela vous permet d'obtenir des statistiques sur l'utilisation du produit, des informations sur la meilleure manière d'utiliser et de surveiller la maintenance générale de votre produit pour garantir la performance.

Inscription

Vous pouvez activer ou désactiver le WiFi en appuyant sur le bouton WiFi tel qu'indiqué sur le diagramme. [3d] Le voyant LED clignotera de façon continue jusqu'à ce que l'aspirateur soit connecté à l'application Hoover Wizard App.

1. Vous pouvez télécharger l'application Hoover Wizard Application en scannant le code QR placé sur la couverture de ce manuel.
2. Installez-la sur votre smartphone.
3. Suivez les instructions contenues dans l'application pour configurer votre aspirateur.

Lorsque l'application a été correctement installée, votre smartphone se connecte automatiquement.

RÉINITIALISATION WIFI

Vous pouvez réinitialiser l'aspirateur en appuyant sur le bouton WiFi pendant 5 secondes jusqu'à ce que le voyant LED commence à clignoter.

Vous devrez reconnecter l'aspirateur à l'application à nouveau.

REMARQUE : une fois que vous verrouillez le produit par l'application, vous pouvez le déverrouiller par l'application ou en appuyant sur le bouton "Turbo" et "Silencieux" (se trouvant sur le produit) pendant 3 secondes à la fois.

SÉLECTIONNEZ LE ROULEAU ADAPTÉ POUR UN MEILLEUR NETTOYAGE

Rouleau pour électrobrosse (idéal pour sols durs)*: Il est recommandé de l'utiliser sur la moquette de manière à nettoyer la poussière incrustée.

Rouleau d'entretien en profondeur*: Il est recommandé de l'utiliser sur les sols durs ou les parquets délicats. Grâce aux poils doux vous pouvez nettoyer ces types de sols en douceur.

IMPORTANT : Arrêtez toujours l'appareil avant de changer ou de nettoyer la brosse rotative.

REMARQUE : Pour le montage du rouleau que vous souhaitez utiliser : [17]

1. Déclipez le volet de dégagement de la brosse rotative. Il est positionné sur la partie latérale de la brosse.
2. Tenez le volet de dégagement de la brosse rotative et abaissez-le pour retirer la brosse rotative.
3. Remplacez par le rouleau pour sol intense ou par le rouleau d'entretien en profondeur.
4. Remettez le volet de dégagement de la brosse rotative en place.

INSTALLATION DES LAMES DE BALAYAGE

Pour obtenir la meilleure performance du suceur plat sur la moquette, il est conseillé d'assembler les lames de balayage arrière et avant sous la semelle de la brosse.

Pour ce faire, ouvrez le volet de dégagement de la brosse rotative et retirez la bande souple. Puis, saisissez une lame de balayage en caoutchouc en insérant une extrémité dans la fente arrière et faites-la glisser jusqu'à ce qu'elle soit complètement en place. Répétez l'opération pour la seconde lame de balayage et faites-la glisser dans la fente avant. Verrouillez le volet de dégagement de la brosse rotative. [16]

* Sur certains modèles uniquement

FONCTION DE STOCKAGE

Après l'utilisation, votre aspirateur peut être stocké de 2 manières appropriées.

1. STOCKAGE SUR SUPPORT MURAL

Votre produit est fourni avec un support mural destiné à faciliter un stockage commode. À l'aide des vis fournies, fixez le support mural à votre mur. Après avoir utilisé le produit, placez simplement votre aspirateur à cet endroit. [2]

2. MODE STOCKAGE COMPACT/PARKING

Pour stocker le produit sur le tube, retirez l'unité portable en appuyant sur le bouton de déverrouillage de l'accessoire portable. [5]

Assurez-vous que l'accessoire 2 en 1 intégré (AA) est rentré dans sa position initiale tel que fourni, tout en vous assurant que l'accessoire occupe entièrement sa position d'origine, la brosse de dépeussierage et le crochet de localisation se trouvant dans la position basse.

Montez le crochet de localisation dans la fente inférieure sur le tube, et poussez la poignée arrière pour qu'elle occupe entièrement sa position d'origine dans le mécanisme de verrouillage placé en haut du tube. [6]

SYSTÈME DE PROTECTION DE SÉCURITÉ

Pour s'assurer que la fiabilité du produit n'est pas affectée en cas d'utilisation dans des conditions difficiles, le produit a été équipé de deux systèmes de protection de sécurité intégrés, un sur l'aspirateur et un sur la brosse.

REMARQUE : Le système de protection de sécurité s'actionne dans deux conditions :

1. s'il y a des obstructions dans l'entrée d'air ou dans le tube, l'aspirateur se protège et s'éteint ; le voyant LED sur l'unité principale devient rouge. Si cela se produit, vérifiez simplement s'il y a des obstructions dans le tube ou dans l'entrée d'air de l'accessoire portable. Éliminez-les et allumez à nouveau l'appareil.
2. si la brosse rotative a un blocage ou est verrouillée, une fois actionnée, la brosse rotative arrête de tourner et les voyants LED BLANCS sur la buse deviennent ROUGES. [14] Si cela se produit, éteignez simplement le produit et dégagez l'obstruction de l'agitateur. Pour reprendre le nettoyage, appuyez sur le bouton de marche/arrêt et le produit redémarrera en mode normal.

BATTERIE

Cet aspirateur est équipé d'un voyant LED d'état de la batterie. Lorsque le produit est allumé, le voyant LED s'allume en différentes couleurs pour indiquer le niveau de batterie.

NIVEAU DE BATTERIE :

Couleur blanche : 100% - 70% charge

Couleur bleue : <70% - 40% charge

Couleur rouge : <40% - 10% charge

Rouge clignotant : <10% charge

Il existe 2 procédés de charge :

Chargez la batterie lorsqu'elle est fixée au produit.

Insérez la prise jack du chargeur de batterie dans la batterie. L'indicateur d'état LED s'allume en ROUGE lors de la charge. Lorsque la charge est complète, l'indicateur d'état LED s'allume en BLANC pendant 1 min, puis s'éteint. [7]

Chargez la batterie lorsqu'elle est retirée du produit.

Retirez la batterie du produit en appuyant sur les boutons de déverrouillage de la batterie.

Insérez la prise jack du chargeur de batterie dans la batterie. Le voyant LED du bloc batterie s'allume en ROUGE lors de la charge. Lorsque la charge est complète, l'indicateur LED s'allume en BLANC. [8]

REMARQUE : Il est normal pour le chargeur de devenir chaud au toucher lorsqu'il est en train de charger. N'utilisez que le chargeur fourni avec votre nettoyeur.

ACCESSOIRES

SUCEUR PLAT INTÉGRÉ À L'ACCESSOIRE PORTABLE, SUCEUR PLAT INTÉGRÉ AU TUBE, ACCESSOIRE DE MEUBLE ET BROSSE DE DÉPEUSSIERAGE 2 EN 1 ET MINI TURBOBROSSE.

Suceurs plats intégrés - idéal pour l'accès d'espaces étroits.

Brosse meuble - idéal pour le nettoyage de surfaces sans dommages ni égratignures.

Petit suceur - idéal pour le nettoyage de surfaces comme le canapé.

Tous les accessoires peuvent être fixés au produit principal et sur le tube. [4]

REMARQUE : La mini turbobrosse est idéale pour le nettoyage en profondeur des surfaces textiles (c.-à-d. les canapés) et pour le retrait de poils d'animaux domestiques. Faites-le avancer et reculer de façon régulière. Après l'utilisation, veuillez retirer les cheveux/fils rassemblés sur la brosse à l'aide de ciseaux, si nécessaire.

SAC ACCESSOIRES*

Les accessoires supplémentaires peuvent être rangés dans le sac accessoires.

* Sur certains modèles uniquement

Support mural*

Accrochez le support mural au mûr, à l'aide des deux vis incluses dans le produit pour l'accrocher.. [2]

ENTRETIEN DE L'ASPIRATEUR

Rappel de maintenance du pré-filtre. Si le pré-filtre a besoin de maintenance, le voyant rouge sur l'aspirateur commence à clignoter en couleur rouge.

Vidage du bac à poussière

1. Appuyez sur le bouton de déverrouillage du corps principal et retirez le tube. [5]
2. Appuyez sur le bouton de vidage du bac à poussière pour ouvrir le clapet du bac et videz-le. [9]
3. Fermez le bouton de déverrouillage du volet du bac à poussière ; vous entendrez un déclic lorsqu'il est entièrement verrouillé.

REMARQUE : Il est recommandé de vider le bac à poussière après chaque usage ou lorsque la poussière atteint la ligne de remplissage maximale.

Nettoyez le bac à poussière et le filtre.

L'indicateur LED sur le produit clignote en ROUGE pour indiquer que le nettoyage du filtre pré-moteur est requis.

1. Appuyez sur le bouton de déverrouillage de l'accessoire portable et retirez l'unité portable du tube. [5]
2. Appuyez sur le bouton de déverrouillage de la batterie et retirez la batterie. [8]
3. Retirez l'ensemble bac à poussière en le tournant et en le tirant hors de l'unité. [10]
4. Retirez le filtre pré-moteur en tirant le support de l'ensemble bac. [11a]
5. Enlevez le système de cyclone unique en tirant l'anneau métallique de l'ensemble bac.
6. Retirez le diaphragme en tournant dans le sens horaire et tirez-le du système de cyclone. [11b]
7. Lavez le filtre et le système de cyclone unique dans de l'eau tiède et laissez-les sécher **pendant 24 heures**. [12,13]
8. Remontez-le quand il est complètement sec et replacez-le sur le produit.

REMARQUE : N'utilisez pas de l'eau chaude ou des détergents lorsque vous nettoyez le filtre pré-moteur. Dans le cas peu probable où le filtre pré-moteur s'endommage, fixez une pièce de rechange Hoover authentique. Veuillez-vous assurer de refixer le filtre pré-moteur avant de monter le bac à poussière dans le corps principal de l'aspirateur, étant donné que le mécanisme de protection du filtre s'activera.

IMPORTANT : Pour une performance optimale, gardez toujours votre filtre propre. Nous recommandons de laver le filtre au moins toutes les deux semaines.

Changement et nettoyage de la brosse rotative

IMPORTANT : Arrêtez toujours l'appareil avant de changer ou de nettoyer la brosse rotative.

1. Retirez la brosse du tube.
2. Déclipez le volet de dégagement de la brosse rotative. Il est positionné sur la partie latérale de la brosse. [17]
3. Tenez le volet de dégagement de la brosse rotative et retirez la brosse rotative.
4. Pour nettoyer le rouleau pour sol intense, retirez l'excès de débris à l'aide de ciseaux.
5. Remettez en place la brosse rotative. La brosse rotative ne peut s'insérer que dans un seul sens.
6. Fermez le volet de dégagement de la brosse rotative pour fixer la brosse rotative en place.

Remplacement des batteries

L'aspirateur est équipé d'un bloc batterie Lithium ion rechargeable qui est remplaçable.

MISE EN GARDE : Utilisez uniquement les pièces de rechange approuvées pour votre aspirateur. L'utilisation de pièces non approuvées par Hoover est dangereuse et invalidera votre garantie.

MISE EN GARDE : N'essayez pas d'ouvrir la batterie pour la réparer vous-même.

1. Appuyez sur les boutons de déverrouillage de la batterie et tirez la batterie vers l'extérieur. [8]
2. Enlevez l'ancienne batterie et remplacez-la par une nouvelle.
3. Mettez les batteries à la poubelle, dans un endroit sûr. Des batteries usées doivent être amenées à un point de recyclage et non pas être éliminées avec les ordures ménagères.

DEPANNAGE

Si vous avez des problèmes avec votre nettoyeur, suivez cette simple liste de vérification avant d'appeler le service clientèle Hoover :

A. L'aspirateur ne s'allume pas

Vérifiez que le nettoyeur est chargé.

Vérifiez que la batterie est bien en place.

B. L'aspirateur s'arrête de fonctionner

Vérifiez s'il y a une obstruction dans l'entrée d'air ou dans le tube, dégagez-la et assurez-vous que le produit est éteint. Une fois que cela est fait, appuyez simplement sur le bouton marche/arrêt, le produit recommencera à fonctionner.

C. Aspiration insuffisante ou pas d'aspiration du tout

Videz le récipient à poussière et lavez le pré-filtre et le séparateur.

Enlevez la brosse et vérifiez qu'il n'y a pas de blocages dans les conduites.

D. La batterie ne peut pas se charger

Cela peut être dû à de très longues périodes de stockage (plus de 6 mois).

Contactez le service clientèle Hoover pour effectuer le changement de batterie.

Si le problème persiste, contactez le service clientèle Hoover.

PIÈCES DÉTACHÉES ET CONSOMMABLES HOOVER

Toujours remplacer les pièces par des pièces détachées de la marque Hoover. Celles-ci sont disponibles auprès de votre revendeur Hoover. Lors de la commande de pièces, veuillez toujours préciser le numéro de votre modèle.

VOTRE GARANTIE

Les conditions de garantie de cet appareil sont définies par notre représentant dans le pays où il est vendu et peuvent être obtenues auprès de votre revendeur. Les détails concernant ces conditions peuvent être obtenues auprès du revendeur auprès duquel l'appareil a été acheté. La facture d'achat ou le reçu doivent être présentés pour toutes réclamations relevant des conditions de cette garantie.

IMPORTANT : La batterie de cet aspirateur bénéficie d'une garantie de 2 ans à partir de la date d'achat. Passés les deux ans, le client est responsable du coût d'acquisition d'une nouvelle batterie.

Ces conditions peuvent être modifiées sans préavis.

HINWEISE FÜR DIE SICHERE BENUTZUNG

Dieses Gerät ist nur zum Gebrauch im Haushalt und nicht für gewerbliche Zwecke bestimmt. Sie sollten das Gerät ausschließlich gemäß den Angaben in dieser Bedienungsanleitung verwenden. Vor dem Gebrauch des Gerätes muss die vorliegende Bedienungsanleitung vollständig gelesen und verstanden worden sein.

Schalten Sie das Gerät immer aus und ziehen den Stecker des Ladegerätes, bevor Sie das Gerät reinigen oder irgendwelche Wartungsarbeiten durchführen.

Dieses Gerät darf von Kindern ab 8 Jahren, sowie körperlich, geistig oder sensorisch behinderten Personen bzw. Personen ohne Erfahrung und Kenntnisse im Gebrauch nur unter Aufsicht oder unter Anleitung für die sichere Benutzung und den damit verbundenen Gefahren benutzt werden. Kinder sollten nicht unbeaufsichtigt mit dem Gerät spielen. Reinigungs- und Wartungsarbeiten dürfen von Kindern nur unter Aufsicht ausgeführt werden.

Ist das Netzkabel beschädigt, darf das Gerät NICHT mehr benutzt werden. Im Falle eines Defektes, darf das Netzkabel nur durch einen autorisierten Hoover-Kundendiensttechniker ausgetauscht werden. Hände, Füße, lose Kleidung und Haare von den rotierenden Bürsten fernhalten.

Verwenden Sie nur das Originalladegerät, das mit dem Gerät geliefert wurde.

Stellen Sie sicher, dass die Versorgungsspannung mit der auf dem Ladegerät angegebenen Spannung übereinstimmt.

Dieses Haushaltsgerät von Hoover wird mit einem schutzisolierten Batterieladegerät geliefert, welches ausschließlich für 220-230 V (GB 240 V) Steckdosen geeignet ist.

Stecken Sie das Netzteil in eine geeignete Steckdose und schließen Sie den Stecker am Gerät an.

Schalten Sie das Gerät vor dem Aufladen des Akkus aus.

Laden Sie die Akkus des Gerätes vor der ersten Benutzung mindestens 24 Stunden lang auf. Die Akku-LED-Leuchte leuchtet während des Ladevorgangs ROT und nach dem Aufladen WEISS. Schließen Sie das Gerät nach der Benutzung wieder an das Netzteil an, um die Akkus wieder aufzuladen.

Akkus niemals bei Temperaturen über 37°C oder unter 0°C aufladen! Es ist normal, dass sich das Ladegerät während des Ladevorgangs erwärmt.

Ziehen Sie den Netzstecker des Ladegerätes NIEMALS durch Ziehen am Kabel heraus.

Ziehen Sie im Fall einer längeren Abwesenheit, z. B. Urlaub usw. den Stecker des Ladegerätes aus der Steckdose. Laden Sie nach

einer längeren Zeit der Lagerung/Nichtbenutzung das Gerät vor der erneuten Benutzung wieder komplett auf, da sich die Akkus von selber entladen können.

Laden Sie nach einer längeren Zeit der Lagerung/Nichtbenutzung das Gerät vor der erneuten Benutzung wieder komplett auf, da sich die Akkus von selber entladen können. Das Gerät muss von der Stromnetz getrennt sein, wenn die Akkus entnommen werden. Entsorgen Sie die Akkus ordnungsgemäß. Lassen Sie das Gerät laufen, bis die Akkus leer sind und es von selber stoppt. Gebrauchte Akkus sollten zum Recycling zurückgegeben und nicht mit dem Hausmüll entsorgt werden. Um die Akkus herauszunehmen, wenden Sie sich bitte an das Hoover-Kundendienst oder führen Sie folgende Schritte aus.

WICHTIG: Entladen Sie die Akkus zunächst vollständig, bevor Sie diese herausnehmen und vergewissern Sie sich, dass das Ladegerät nicht angeschlossen ist.

Lassen Sie dafür das Gerät laufen, bis die Akkus vollständig entladen sind.

Ziehen Sie den Stecker des Ladegeräts aus dem Gerät.

Drücken Sie die Freigabetaste des Akkus und schieben Sie ihn heraus, um ihn zu entnehmen.

HINWEIS: Sollten Sie irgendwelche Schwierigkeiten beim Auseinandernehmen des Gerätes haben oder detailliertere Informationen zur Behandlung, Reparatur oder zum Recycling des Geräts benötigen, kontaktieren Sie bitte Ihre Stadtverwaltung oder den lokalen Entsorgungsdienst für Haushaltsabfälle.

Verwenden Sie nur Zubehör, Verbrauchsmaterial oder Ersatzteile, die von Hoover empfohlen oder geliefert werden.

Statische Aufladung: Manche Teppiche können die Bildung statischer Elektrizität verursachen. Diese ist jedoch sehr gering und bei Entladung nicht gesundheitsschädlich.

Benutzen Sie das Gerät nicht im Freien, auf nassen Oberflächen oder zur Aufnahme von feuchtem Schmutz.

Vermeiden Sie es, harte oder scharfe Gegenstände, Streichhölzer, heiße Asche, Zigarettenkippen oder Ähnliches aufzusaugen. Niemals entzündliche Flüssigkeiten, Reinigungsmittel, Aerosole oder deren Dämpfe auf das Gerät sprühen oder damit aufsaugen. Während des Betriebs nicht über das Netzkabel fahren. Nicht am Kabel ziehen, um den Gerätestecker aus der Steckdose zu ziehen. Stellen Sie die Verwendung des Gerätes oder des Ladegerätes ein, wenn ein Defekt vermutet wird.

Hoover-Kundendienst: Um auf Dauer den sicheren und effizienten Betrieb dieses Gerätes zu gewährleisten, empfehlen wir, Wartungs- und Reparaturarbeiten ausschließlich von einem zugelassenen

Hoover-Kundendiensttechniker durchführen zu lassen.
Benutzen Sie das Gerät nicht zur Reinigung von Menschen oder Tieren.

Ersetzen Sie die Akkus nicht durch Einwegbatterien.

Umweltschutz:

Dieses Elektrohaushaltsgerät ist entsprechend der EU-Richtlinie 2011/65/EC über Elektro- und Elektronik-Altgeräte (WEEE) gekennzeichnet. Durch die sichere und umweltgerechte Entsorgung dieses Produkts tragen Sie dazu bei, mögliche negative Auswirkungen auf die Umwelt und die Gesundheit des Menschen zu verhindern. Das am Produkt angebrachte Symbol gibt an, dass dieses Produkt nicht als Hausmüll behandelt werden darf, sondern an einer entsprechenden Sammelstelle für das Recycling von elektrischen und elektronischen Geräten zu entsorgen ist. Die Entsorgung ist in Übereinstimmung mit allen geltenden Vorschriften für die umweltgerechte Abfallentsorgung vorzunehmen. Ausführlichere Informationen über die Müllbehandlung und das Recycling dieses Produktes erhalten Sie von der zuständigen Umweltbehörde, der Müllentsorgungsstelle Ihrer Kommune oder dem Händler, bei dem Sie das Produkt erworben haben.



| | |
|--|---|
| Frequenzbereiche | 2400Mhz ~ 2483.5Mhz |
| Maximale HF-Leistung, die im Frequenzband übertragen wird | 802.11 b: +20 dBm 802.11 g: +17 dBm 802.11 n: +14 dBm |

C E Hiermit erklärt die Candy Hoover Group Srl, dass dieses Gerät die wesentlichen Anforderungen der Richtlinien 2014/53/EU und 2011/65/EU erfüllt. Für eine Kopie der Konformitätserklärung kontaktieren Sie, bitte den Hersteller auf seiner Website: www.candy-group.com

CANDY HOOVER GROUP S.r.l. Via Privata Eden Fumagalli, 20861 Brugherio (MB) Italy

PRODUKTBESTANDTEILE

- | | |
|--|---|
| <ul style="list-style-type: none"> A. Ein/Aus-Taste B. Taste für Turbo-Betriebsmodus C. Leisetaste D. WLAN-Schalter E. Staubbehälter F. Staubbehälterklappen-Freigabetaste G. Griffentriegelungsknopf H. Akkufach-Freigabetaste I. Rohr J. Taste zum Entfernen der Bodendüse K. Bodendüse L. LED-Leuchten Vordere Düsen M. Düsen-Freigabeklappe N. Status-LED Bürstwalzen O. Vormotorfilter P. Einzel-Zyklon Vortex Finder Q. Einzel-Zyklon | <ul style="list-style-type: none"> R. LED-Leuchte Power-Modus S. LED-Leuchte Akku-Status T. Anzeigeleuchte Akku-Laden U. Akkupack-Freigabetaste V. Akku W. Anschluss zum Laden des Akkus X. Ladegerät Y. Wandhalterung* Z. Wandbefestigungsschrauben* AA. Integrierte 2in1-Staubbürste und Möbelpinsel AB. Miniturbodüse* AC. Zubehörtasche* AD. Hinterer weicher Streifen AE. Intense Floor Roller AF. Wischblatt AG. Deep Care Roller |
|--|---|

VORBEREITUNG DES STAUBSAUGERS

Nehmen Sie Ihr Gerät vorsichtig aus der Verpackung.

1. Nehmen Sie die Düse und das Verlängerungsrohr in die Hand und stecken Sie ein Ende des Rohrs in den Düsenstutzen. Sie werden ein Klicken hören, wenn es eingerastet ist. **[1a]**
2. Nehmen Sie die Handeinheit in die Hand und schieben Sie sie auf das Rohr, bis sie hörbar einrastet. **[1b]**
3. Befestigen Sie die Wandhalterung mit den mitgelieferten Schrauben und Dübeln an der Wand. **[2]**
4. Um das Gerät vollständig aufzuladen, stecken Sie den Stecker des Ladegeräts in das Akkupack. Das dauert etwa 6 Stunden.

HINWEIS: Zum Abnehmen der Bodendüse drücken Sie auf die Düsenfreigabetaste und ziehen diese ab.

HINWEIS: Verwenden Sie zum Aufladen nur das mit dem Gerät mitgelieferte Ladegerät. Es ist normal, dass sich das Ladegerät während des Ladevorgangs erwärmt.

* Geräteausstattung ist modellabhängig

GEBRAUCH DES GERÄTES

Es gibt 4 Betriebsarten, die Sie anhand der Farbe der LED-Leuchte Power-Modus erkennen können.

- **STANDARD MODUS:** Wenn Sie die EIN-/AUS-Taste drücken, ist der Staubsauger bereit, um mit der angetriebenen Hauptdüse gründlich zu reinigen. Die LED-Leuchte leuchtet weiß. [3a]
- **Silent Modus** Drücken Sie die Leisetaste, um mit diesem Gerät so leise wie möglich zu reinigen. Die Anzeigeleuchte leuchtet grün. [3b]
- **TURBO MODUS:** Drücken Sie die Turbo-Taste für volle Leistung für anspruchsvolle Reinigungsarbeiten. Die LED-Leuchte leuchtet blau. [3c]
- **AUTO-MODUS:** Wenn Sie die Düse oder das Rohr abnehmen, passt sich das Gerät bei der Reinigung von Fußböden mit nicht angetriebenen Werkzeugen automatisch an eine niedrigere Leistungsstufe an. Die LED-Leuchte leuchtet hellblau/türkis.

BÜRSTENSTATUSANZEIGE

Die Bürstwalzen-Status-LED auf der Düse leuchtet während aller Fußbodenreinigungsarten weiß und leuchtet rot, wenn das Sicherheitssystem aktiviert ist. [14]

WLAN-Einstellung

HINWEIS: Dieses Gerät verfügt, um die Interaktion mit Ihrem Staubsauger zu verbessern, über eine WLAN-Verbindung. Mit dieser Funktion können Sie Statistiken zur Gerätenutzung abrufen, um die beste Verwendung zu ermitteln, die Gesamtwartung Ihres Produkts zu überwachen und die Leistung sicherzustellen.

Anmeldung

Sie können das WLAN ein- und ausschalten, indem Sie die WLAN-Taste, wie in Abbildung dargestellt, drücken. [3d] Die LED-Leuchte blinkt so lange, bis der Staubsauger mit der Hoover Wizard App verbunden ist.

1. Sie können die Hoover Wizard App herunterladen, indem Sie einfach den QR-Code scannen, der sich auf dem Umschlag dieses Handbuchs befindet.
2. Installieren Sie die App auf Ihrem Smartphone.
3. Folgen Sie den Anweisungen der App, um Ihren Staubsauger einzurichten.

Bei korrekter Installation stellt Ihr Smartphone automatisch eine Verbindung her.

WLAN ZURÜCKSETZEN

Sie können Ihren Staubsauger zurücksetzen. Drücken Sie hierzu die WLAN-Taste 5 Sekunden lang, bis die LED-Leuchte zu blinken beginnt.

Sie können Ihren Staubsauger zurücksetzen. Drücken Sie hierzu die WLAN-Taste 5 Sekunden lang, bis die LED-Leuchte zu blinken beginnt.

HINWEIS: Sobald Sie das Gerät mit der App gesperrt haben, können Sie es entweder mit der App oder durch gleichzeitiges, 3 Sekunden langes Drücken der Tasten „Turbo“ und „Silent“ am Gerät entsperren.

WÄHLEN SIE DIE GEEIGNETE WALZE FÜR BESTE REINIGUNGSERGEBNISSE

Intense Floor Roller*: Es wird empfohlen, sie auf Teppichböden zum verwenden, weil sie Staub tiefgehend aus dem Teppichboden entfernt.

Deep Care Roller*: Es wird empfohlen, sie auf Hartböden oder empfindlichem Parkett zu verwenden. Aufgrund der weichen Borsten können Sie diese Art von Fußböden sanft reinigen.

WICHTIG: Schalten Sie vor einem Austausch oder Reinigen der Bürstwalze den Staubsauger immer aus.

HINWEIS: Um die Walze einzusetzen, die Sie verwenden möchten: [17]

1. Entriegeln Sie die Bürstwalzen-Freigabeklappe. Sie befindet sich auf dem Seitenteil der Düse.
2. Halten Sie Bürstwalzen-Freigabeklappe fest und ziehen Sie sie nach unten, um die Bürstwalze zu entfernen.
3. Ersetzen Sie sie durch die der Intense Floor Roller oder die Deep Care Roller.
4. Setzen Sie die Bürstwalzen-Freigabeklappe wieder ein.

ANBRINGUNG DES GUMMIEINSATZES

Um die beste Fugen- und Teppichbodenleistung zu erzielen, empfiehlt es sich die vordere und hintere Wischblätter an der Sohle der Düse zu montieren.

Öffnen Sie hierzu die Freigabeklappe der Bürstwalze und entfernen Sie den weichen Streifen. Nehmen Sie danach ein Wischblatt, setzen Sie ein Ende in den hinteren Schlitz ein und schieben Sie es bis zum Anschlag hinein. Wiederholen Sie diese Schritte für das zweite Wischblatt und schieben Sie es in den vorderen Schlitz. Verriegeln Sie die Freigabeklappe der Bürstwalze. [16]

* Geräteausstattung ist modellabhängig

AUFBEWAHRUNGSFUNKTION

Nach dem Gebrauch verfügt Ihr Staubsauger über zwei praktische Aufbewahrungsmethoden.

1. AUFBEWAHRUNG IN WANDHALTERUNG

Ihr Produkt wird mit einer Wandhalterung zur bequemen Aufbewahrung geliefert. Ihr Produkt wird mit einer Wandhalterung zur bequemen Aufbewahrung geliefert. Hängen Sie Ihren Staubsauger nach dem Gebrauch einfach an ihr auf. [2]

2. KOMPAKTE AUFBEWAHRUNG/PARKMODUS

Um das Gerät auf dem Rohr aufzubewahren, nehmen Sie die Handeinheit ab. Drücken Sie hierzu auf die Freigabetaste des Handgeräts. [5]

Stellen Sie sicher, dass sich das integrierte 2-in-1-Zubehör (AA) wieder in der ursprünglichen Position (wie geliefert) befindet und dass das Zubehör mit dem Möbelpinsel und dem Aufbewahrungshaken nach unten zeigen.

Stecken Sie den Aufbewahrungshaken in den unteren Schlitz des Rohrs und drücken Sie den hinteren Griff oben am Rohr vollständig in den Verriegelungsmechanismus. [6]

SICHERHEITSSCHUTZSYSTEM

Um zu gewährleisten, dass die Zuverlässigkeit des Geräts bei Gebrauch unter schwierigen Bedingungen nicht beeinträchtigt wird, wurde das Gerät mit zwei integrierten Sicherheitsschutzsystemen, eins auf dem Staubsauger und eins auf der Düse, ausgestattet.

HINWEIS: Das Sicherheitsschutzsystem funktioniert unter zwei Bedingungen:

1. Wenn der Lufteinlass oder das Rohr verstopft ist, wird der Staubsauger geschützt und schaltet sich AUS und die LED-Anzeige am Hauptgerät leuchtet rot. Überprüfen Sie in diesem Fall einfach, ob sich Hindernisse im Rohr oder im Lufteinlass des Handgeräts befinden. Entfernen Sie diese und schalten Sie das Gerät wieder ein.
2. Einmal aktiviert, hört die Bürstwalze, wenn sie verstopft oder blockiert ist, auf zu rotieren und die WEISSE LED auf der Düse schaltet auf ROT um. [14] Wenn dies geschieht, schalten Sie einfach Ihr Gerät aus und beseitigen Sie das Hindernis an der Bürstwalze. Um weiter zu reinigen, drücken Sie die Ein-/Aus-Taste und das Gerät startet wieder im Normalbetrieb.

BATTERIE

Der Staubsauger ist mit einer Akku-Status LED-Leuchte ausgestattet. Die LED-Leuchte leuchtet in verschiedenen Farben und zeigt den Ladezustand des Akkus an.

AKKULADEZUSTAND:

Weiß: 100% - 70% Laden

Blau: <70% - 40% Laden

Rot: <40% - 10% Laden

Rot blinkend: <10% Laden

Es gibt 2 Lademethoden:

Laden Sie den Akku auf, wenn er am Gerät befestigt ist.

Stecken Sie den Stecker des Ladegeräts in den Akku. Die LED-Statusanzeige leuchtet während des Ladevorgangs ROT.

Nach Abschluss des Ladevorgangs leuchtet die LED-Statusanzeige 1 Minute lang WEISS und erlischt dann. [7]

Laden Sie den Akku auf, wenn Sie ihn aus dem Gerät genommen haben.

Nehmen Sie den Akku aus dem Gerät. Drücken Sie hierzu Akkufreigabetaste.

Stecken Sie den Stecker des Ladegeräts in den Akku. Die Akku-LED leuchtet beim Laden ROT. Nach Abschluss des Ladevorgangs leuchtet die LED-Anzeige WEISS. [8]

HINWEIS: Es ist normal, dass sich das Ladegerät während des Ladevorgangs erwärmt. Verwenden Sie zum Aufladen nur das mit dem Staubsauger mitgelieferte Ladegerät.

ZUBEHÖR

INTEGRIERTE FUGENDÜSE AUF DEM HANDGERÄT, INTEGRIERTE FUGENDÜSE AUF DEM ROHR, 2IN1-MÖBELPINSEL UND STAUBBÜRSTE UND MINITURBODÜSE.

Integrierte Fugendüse - Ideal für den Zugang zu engen Räumen.

Staubbürste - Ideal zum Reinigen von Oberflächen, ohne sie zu beschädigen oder Kratzer zu hinterlassen.

Möbelpinsel - Ideal zum Reinigen von Oberflächen wie Polstermöbel.

Das gesamte Zubehör kann am Hauptprodukt und am Rohr befestigt werden. [4]

HINWEIS: Die Miniturbo-Düse ist ideal für die tiefe Reinigung von Textiloberflächen (z. B. Sofas) und zum Entfernen von Tierhaaren. Bewegen Sie ihn kontinuierlich rückwärts und vorwärts. Entfernen Sie nach dem Gebrauch auf der Bürste angesammelte Haare/Fäden nach Bedarf mit einer Schere.

Zubehörtasche*

Alles weitere Zubehör kann in der Zubehörtasche aufbewahrt werden.

* Geräteausstattung ist modellabhängig

Wandhalterung*

Um das Gerät an der Wand hängend aufzubewahren, befestigen Sie die Wandhalterung mit den beiden mitgelieferten Schrauben an der Wand.. [2]

WARTUNG DES GERÄTES

Erinnerung Vorfilterreinigung. Wenn der Vorfilter gereinigt werden muss, beginnt das rote Licht am Staubsauger rot zu blinken.

Staubbehälter leeren

1. Drücken Sie die Freigabetaste auf dem Gerätekorpus und nehmen Sie das Rohr ab. [5]
2. Drücken Sie die Staubfangbehälter-Entleerungstaste nach unten, um die Behälterklappe zu entriegeln und den Behälter zu entleeren. [9]
3. Schließen Sie die Staubbehälterklappen-Freigabetaste. Sie werden ein Klicken hören, wenn diese vollständig verschlossen und verriegelt ist.

HINWEIS: Es wird empfohlen den Staubbehälter nach jedem Gebrauch, oder wenn der Staub bis zur maximalen Fülllinie reicht, zu entleeren.

Reinigen Sie den Staubbehälter und den Filter.

Die LED-Kontrollleuchte am Gerät blinkt ROT, um anzuzeigen, dass der Vormotorfilter gereinigt werden muss.

1. Drücken Sie die Freigabetaste auf dem Handgerät und nehmen Sie das Handgerät vom Rohr ab. [5]
2. Drücken Sie die Akku-Freigabetaste und nehmen Sie den Akku ab. [8]
3. Entfernen Sie die Staubbehälterbaugruppe, indem Sie sie drehen und vom Gerät abziehen. [10]
4. Entfernen Sie den Vormotorfilter, indem Sie sie drehen und vom Gerät abziehen. [11a]
5. Nehmen Sie danach das Zyklonsystem heraus und ziehen Sie den Metallring aus der Behälterbaugruppe.
6. Entfernen Sie zum Schluss den Vortex Finder. Drehen Sie es hierzu im Uhrzeigersinn und ziehen Sie es vom Zyklonsystem ab. [11b]
7. Waschen Sie den Filter und den Einzel-Zyklon mit lauwarmem Wasser und lassen Sie beide **24 Stunden lang trocknen**. [12,13]
8. Setzen Sie den Filter, nachdem er vollständig getrocknet ist, wieder in das Gerät ein.

HINWEIS: Verwenden Sie kein heißes Wasser oder Reinigungsmittel zum Reinigen des Vormotorfilters. Im unwahrscheinlichen Fall, dass der Vormotorfilter beschädigt ist, Taschen Sie ihn nur gegen einen Hoover-Originalfilter aus. Bitte stellen Sie sicher, dass Sie den Vormotorfilter wieder einbauen, bevor Sie den Staubbehälter am Staubsaugergehäuse befestigen, da sonst der Filterschutzmechanismus aktiviert wird.

WICHTIG: Halten Sie den Filter für optimale Leistung immer sauber. Wir empfehlen, den Filter mindestens einmal alle zwei Wochen zu reinigen.

Bürstwalze austauschen und reinigen

WICHTIG: Schalten Sie vor einem Austausch oder Reinigen der Bürstwalze den Staubsauger immer aus.

1. Nehmen Sie die Düse vom Rohr ab.
2. Entriegeln Sie die Bürstwalzen-Freigabeklappe. Sie befindet sich auf dem Seitenteil der Düse. [17]
3. Halten Sie Bürstwalzen-Freigabeklappe fest und nehmen Sie die Bürstwalze heraus.
4. Die Intense Floor Roller können Sie mithilfe einer Schere von übermäßigem Schmutz reinigen.
5. Setzen Sie die Bürstwalze wieder ein. Die Bürstwalze passt nur in einer Richtung.
6. Schließen Sie die Bürstwalzen-Freigabeklappe fest, um die Bürstwalze in ihrer Position zu sichern.

Batterien auswechseln

Dieser Staubsauger ist mit einem wiederaufladbaren, austauschbaren Lithium-Ionen-Akku ausgestattet.

WARNUNG: Verwenden Sie nur Hoover Originalersatzteile für Ihren Staubsauger. Das Verwenden von Teilen, die nicht von Hoover zugelassen wurden, ist gefährlich und führt eventuell dazu, dass Ihre Garantie erlischt.

WARNUNG: Versuchen Sie nicht den Akku zu öffnen und selbst zu reparieren.

1. Drücken Sie die Akku-Freigabetaste und ziehen Sie den Akku nach außen. [8]
2. Entfernen Sie den alten Akku und ersetzen sie ihn durch einen neuen.
3. Entsorgen Sie die Akkus ordnungsgemäß. Gebrauchte Akkus sollten zum Recycling zurückgegeben und nicht mit dem Hausmüll entsorgt werden.

FEHLERBEHEBUNG

Falls Sie ein Problem mit Ihrem Gerät haben, befolgen Sie, bevor Sie den Hoover-Kundendienst kontaktieren, bitte folgende einfache Checkliste:

A. Das Gerät lässt sich nicht einschalten

Überprüfen Sie, ob die Akkus aufgeladen sind.

Überprüfen Sie, ob der Akku eingesetzt ist.

B. Der Staubsauger funktioniert nicht mehr

Überprüfen Sie, ob der Lufteinlass oder das Rohr verstopft ist. Überprüfen Sie, dass das Gerät ausgeschaltet ist und beseitigen Sie die Verstopfung. Drücken Sie danach einfach die Ein-/Aus-Taste, damit das Gerät wieder neu startet.

C. Niedrige Saugleistung oder das Gerät saugt überhaupt nichts an.

Entleeren Sie den Staubbehälter und waschen Sie den Vorfilter und die Filteranlage.

Entfernen Sie die Düse und überprüfen Sie diese auf Verstopfungen.

D. Die Akkus können nicht aufgeladen werden

Dies ist nach einem langen Zeitraum (über ein halbes Jahr) der Nichtbenutzung/Lagerung möglich.

Wenden Sie sich bitte an den Hoover-Kundendienst, um einen Austausch der Akkus zu veranlassen.

Wenn das Problem weiterhin besteht, wenden Sie sich bitte an den Hoover-Kundendienst.

HOOVER ORIGINAL-ERSATZTEILE UND VERBRAUCHSARTIKEL

Verwenden Sie stets Originalersatzteile von Hoover. Diese sind über den Hoover-Kundendienst erhältlich. Geben Sie bei der Bestellung von Ersatzteilen bitte stets die komplette 16stellige Artikelnummer (Typenplakette auf der Rückseite des Gerätes) Ihres Gerätemodells an.

GARANTIEERKLÄRUNG

Die Garantiebestimmungen für dieses Gerät entsprechen den Richtlinien des Landes, in dem Sie das Gerät erworben haben. Weitere Einzelheiten dazu erhalten Sie vom Händler, bei dem Sie das Gerät erworben haben oder aus dem roten Garantieheft, das der Verpackung beiliegt. Bitte bewahren Sie den Kaufbeleg sorgfältig auf, denn er wird für eventuell auftretende Garantieansprüche benötigt.

WICHTIG: Die Garantie des Akkus beträgt 2 Jahre ab Kaufdatum. Nach Ablauf der 2 Jahre trägt der Kunde die Kosten für einen neuen Akku.

Änderungen vorbehalten.

ISTRUZIONI PER UN USO SICURO

Questo apparecchio deve essere utilizzato esclusivamente in ambito domestico per interventi di pulizia, secondo le istruzioni riportate nel presente documento. Accertarsi di aver compreso le istruzioni prima di mettere in funzione l'apparecchio.

Prima di procedere alla pulizia dell'apparecchio o effettuare qualsiasi operazione di manutenzione, spegnerlo sempre e rimuovere il caricatore dalla presa.

Questo elettrodomestico non è destinato a essere utilizzato da persone dalle ridotte capacità fisiche, sensoriali o mentali (bambini inclusi), senza una adeguata assistenza o controllo da parte di una persona adulta responsabile della loro sicurezza. Controllare che i bambini non giochino con l'apparecchio. Pulizia e manutenzione non possono essere eseguite da bambini senza sorveglianza da parte di una persona responsabile.

Se il cavo di alimentazione è danneggiato, interrompere immediatamente l'utilizzo dell'apparecchio. Per evitare pericoli, il cavo di alimentazione dovrà essere sostituito da un tecnico del servizio assistenza autorizzato Hoover.

Tenere le mani, i piedi, i capi di abbigliamento non attillati e i capelli lontani dalle spazzole rotanti.

Per ricaricare l'apparecchio, usare solo il caricatore in dotazione.

Controllare che i dati indicati sul caricatore corrispondano alla vostra tensione di alimentazione.

Questo prodotto Hoover è dotato di un caricabatteria doppio isolato che può essere collegato unicamente a una presa 230V (UK 240V).

Inserire la spina del caricatore in una presa adatta e collegare il connettore jack del caricatore all'apparecchio.

Spegnerlo prima della ricarica.

Al primo utilizzo caricare l'apparecchio per almeno 24 ore. Durante la ricarica il LED della batteria si illumina di colore ROSSO e ritornerà di colore BIANCO a carica completamente terminata.

Dopo l'uso, ricollegare l'apparecchio al caricatore per ricaricare le batterie.

Mai caricare le batterie a temperature superiori ai 37 °C o inferiori a 0 °C.

È normale che il caricatore si scaldi mentre lavora.

Non scollegare il caricatore tirando il cavo.

Scollegare il caricatore in caso di assenza prolungata (ferie, ecc.).

Dopo lunghi periodi di inutilizzo ricaricare l'apparecchio perchè le batterie potrebbero essersi scaricate automaticamente.

Se l'apparecchio è da smaltire, le batterie devono prima essere rimosse. Rimuovere la batteria solo quando l'apparecchio è scollegato dalla rete di alimentazione. Smaltire le batterie in sicurezza. Far funzionare l'apparecchio fino al suo arresto ed assicurarsi che le batterie siano completamente scariche. Le batterie usate devono essere riposte in un centro di riciclaggio e non smaltite con i rifiuti domestici. Per rimuovere le batterie, si prega di contattare il Centro Servizi per Assistenza Clienti Hoover o procedere in base alle seguenti istruzioni.

IMPORTANTE: Scaricare sempre completamente le batterie prima della rimozione ed assicurarsi che il caricatore sia scollegato.

Procedere con la pulizia fino a quando le batterie sono completamente scariche.

Rimuovere il connettore jack per la ricarica dall'apparecchio.

Premere i pulsanti di rilascio per far scorrere la batteria ed estrarla.

NOTA: Se si riscontrano difficoltà a smantellare l'unità o per informazioni più dettagliate sul trattamento, recupero e riciclaggio di questo apparecchio, si prega di contattare l'ufficio comunale per il servizio smaltimento rifiuti.

Utilizzare solo accessori o parti di consumo e di ricambio consigliati o forniti da HOOVER.

Elettricità statica: Alcuni tappeti possono produrre un piccolo accumulo di elettricità statica. Le cariche di elettricità statica non sono pericolose per la salute.

Non utilizzare l'apparecchio all'aperto, su superfici bagnate o per aspirare liquidi.

Non aspirare oggetti solidi o appuntiti, fiammiferi, ceneri calde, mozziconi di sigaretta o simili. Non vaporizzare o aspirare liquidi infiammabili, detergenti, aerosol o i loro vapori.

Non calpestare il cavo di alimentazione durante l'utilizzo dell'apparecchio o scollegare la spina dalla presa tirando il cavo di alimentazione. Non continuare a utilizzare l'apparecchio o il caricatore in caso di presunto guasto.

Assistenza Hoover: per garantire un funzionamento sempre sicuro ed efficiente dell'apparecchio, si consiglia di fare eseguire eventuali interventi di assistenza o di riparazione dai tecnici del servizio assistenza autorizzato Hoover.

Non utilizzare l'apparecchio per l'igiene della persona o degli animali.


Non sostituire le batterie con batterie non ricaricabili.

Ambiente:

L'apparecchio è contrassegnato in conformità alla Direttiva Europea 2011/65/EC sulla gestione dei rifiuti da apparecchiature elettriche ed elettroniche. Garantendo il corretto smaltimento del prodotto, il cliente contribuisce alla salvaguardia della salute delle persone e alla protezione dell'ambiente che potrebbero altrimenti essere compromessi da uno smaltimento eseguito in maniera non idonea. Il simbolo apposto sul prodotto indica che lo stesso non può essere smaltito come i normali rifiuti domestici, bensì deve essere portato al punto di raccolta o al centro di riciclaggio delle apparecchiature elettriche ed elettroniche più vicino. Lo smaltimento deve essere eseguito in conformità alle normative locali vigenti per la salvaguardia dell'ambiente e lo smaltimento dei rifiuti. Per ulteriori informazioni sul trattamento, il recupero e il riciclaggio di questo prodotto, contattare l'unità territoriale competente per il servizio di smaltimento o il negozio in cui il prodotto è stato acquistato.



| | |
|--|---|
| Bande di frequenza | 2400Mhz ~ 2483.5Mhz |
| Potenza RF massima trasmessa nella banda di frequenza | 802.11 b: +20 dBm 802.11 g: +17 dBm 802.11 n: +14 dBm |

 Con questo Candy Hoover Group Srl, dichiara che questo apparecchio è conforme ai requisiti essenziali delle Direttive 2014/53/UE e 2011/65/UE. Per ricevere una copia di questa dichiarazione di conformità, si prega di contattare il produttore consultando il sito www.candy-group.com

CANDY HOOVER GROUP S.r.l. Via Privata Eden Fumagalli, 20861 Brugherio (MB) Italy

COMPONENTI DELL'APPARECCHIO

- | | |
|---|---|
| <ul style="list-style-type: none"> A. Pulsante di accensione/spengimento B. Pulsante modalità Turbo C. Pulsante Silent D. Interruttore WI-FI E. Vaschetta raccogli-polvere F. Pulsante di sblocco dello sportello del contenitore raccogli-polvere G. Pulsante di rilascio impugnatura H. Pulsante di rilascio dallo stazionamento I. Tubo J. Pulsante rilascio spazzola K. Spazzola L. Luci a led frontali spazzola M. Levetta di rilascio spazzola N. Led stato della spazzola O. Filtro Pre-Motore P. Finder Vortex del mono ciclone | <ul style="list-style-type: none"> Q. Mono ciclone R. Spia LED Modalità Power S. Spia LED stato della batteria T. Spia carica batteria U. Pulsante di rilascio batteria V. Batteria W. Ingresso per la ricarica della batteria X. Caricatore Y. Supporto a Parete* Z. Viti per supporto a parete* AA. Spazzola a pennello integrata 2in1 e spazzola per imbottiti AB. Mini Turbospazzola* AC. Borsa accessori* AD. Strip morbido posteriore AE. Agitatore Intense Floor AF. Inserto in gomma AG. Agitatore Deep Care |
|---|---|

PREPARAZIONE DELL'APPARECCHIO

Disimballare con cura l'apparecchio.

1. Prendere la spazzola e il tubo di prolunga, inserire un'estremità del nel collo della spazzola fino a sentire un "click" di posizionamento. **[1a]**
2. Prendere l'unità portatile ed inserirla nel tubo fino a sentire un "click" di posizionamento. **[1b]**
3. Fissare il supporto a muro al muro utilizzando le viti e i tasselli forniti. **[2]**
4. Inserire il connettore jack del caricatore al set batteria per caricare completamente l'apparecchio. Questo richiederà circa 6 ore.

NOTA: Premere il pulsante di rilascio spazzola per rimuovere la spazzola e staccarla dal corpo principale dall'apparecchio.

NOTA: Per ricaricare l'apparecchio, usare solo il caricatore in dotazione. È normale che il caricatore si scaldi mentre lavora.

* Solo su alcuni modelli

UTILIZZO DELL'APPARECCHIO

4 tipologie di pulizia rilevabili dal colore della spia LED della modalità Power.

- **MODALITÀ STANDARD:** All'accensione del pulsante accensione-spegnimento, l'apparecchio è pronto per pulire con la spazzola principale motorizzata. La spia LED è di colore bianco. **[3a]**
- **MODALITÀ SILENT:** Premere il pulsante Silent per pulire a fondo ed avere il livello di rumore più basso di questo apparecchio. La spia diventa di colore verde. **[3b]**
- **MODALITÀ TURBO:** Premere il tasto Turbo per azionare la piena potenza dell'apparecchio per una pulizia profonda. La spia LED è di colore blu. **[3c]**
- **MODALITÀ AUTO:** Se vengono rimossi la spazzola o il tubo, l'apparecchio automaticamente diminuisce di potenza per pulire superfici alte con accessori non motorizzati. La spia LED è di colore blu/ciano.

STATO DELLA SPAZZOLA

Il LED della barra sulla spazzola è di colore bianco durante tutte le modalità di pulizia, diventa invece di colore rosso quando si attiva il sistema di protezione di sicurezza. **[14]**

SET UP Wi-Fi

NOTA: Questo apparecchio è dotato di connessione Wi-Fi per migliorarne l'interazione. Permette di ottenere statistiche sull'uso, informazioni per utilizzarlo al meglio e di monitorare la manutenzione generale per garantirne le prestazioni.

Iscrizione

È possibile attivare/disattivare la connessione Wi-Fi premendo il pulsante Wi-Fi come mostrato in figura. **[3d]** La luce del LED continuerà a lampeggiare fino a quando l'aspirapolvere sarà collegato all'App Wizard di Hoover.

1. È possibile scaricare l'App Wizard di Hoover eseguendo la scansione del codice QR sulla copertina di questo manuale.
2. Installatela sul vostro smartphone.
3. Seguite le istruzioni dell'App per configurare il vostro aspirapolvere.

A installazione correttamente avvenuta, il vostro smartphone si conetterà automaticamente.

RESET WI-FI

È possibile ripristinare l'aspirapolvere premendo il pulsante Wi-Fi per 5 secondi fino a quando la luce del LED inizierà a lampeggiare.

È necessario ricollegare l'aspirapolvere all'App.

NOTA: se bloccate l'apparecchio tramite App, è possibile sbloccarlo tramite la stessa Applicazione o premendo contemporaneamente sull'apparecchio i pulsanti "Turbo" e "Silent" per 3 secondi.

SCELTA DELL'AGITATORE PIÙ ADATTO PER UNA PULIZIA OTTIMALE

Agitatore Intense Floor*: adatto per la pulizia di tappeti dove l'agitatore può raggiungere la profondità del tappeto e rimuoverne la polvere.

Agitatore Deep Care*: adatto per la pulizia di pavimenti duri e parquet delicati. Grazie ai soffici inserti in gomma pulisce con delicatezza questo tipo di pavimenti.

IMPORTANTE: Spegnerne sempre l'apparecchio prima di assemblare o pulire la spazzola rotante.

NOTA: Per assemblare l'agitatore: **[17]**

1. Staccare la levetta per il rilascio della spazzola rotante. Essa è posizionata sulla parte laterale della spazzola.
2. Tenere la levetta di rilascio e tirare verso il basso per rimuovere la spazzola rotante.
3. Sostituirla con l'agitatore Intense Floor o con l'agitatore Deep Care.
4. Riposizionare la levetta per il rilascio della spazzola rotante.

ASSEMBLAGGIO INSERTO IN GOMMA

Per ottenere la miglior performance nella pulizia di fessure e tappeti si consiglia di montare gli inserti anteriore e posteriore in gomma sulla base della spazzola.

Per fare questo, aprire lo sportello di rilascio della spazzola rotante e togliere lo strip. Afferrare un inserto in gomma inserendone un'estremità nella scanalatura posteriore e farlo scivolare finché non è completamente inserito. Ripetere le stesse operazioni per il secondo inserto in gomma e farlo scivolare nella scanalatura anteriore. Chiudere lo sportello di rilascio della spazzola rotante. **[16]**

* Solo su alcuni modelli

STAZIONAMENTO

Dopo l'uso, l'apparecchio può essere riposto in 2 modi.

1. STAZIONAMENTO CON SUPPORTO A PARETE

L'apparecchio è dotato di supporto a parete per un facile stazionamento. Fissare il supporto a muro al muro utilizzando le viti fornite. Dopo l'uso, riporre semplicemente l'apparecchio nel supporto. [2]

2. MODALITÀ DI STAZIONAMENTO E PARCHEGGIO

Per riporre l'apparecchio sul tubo, rimuovere l'unità portatile premendo il pulsante di rilascio dell'unità stessa. [5]

Accertarsi che l'accessorio 2in1 (AA), la bocchetta e la spazzola a pennello siano riposti correttamente nelle loro posizioni originali e che il gancio di stazionamento sia rivolto verso il basso.

Agganciare il gancio di stazionamento nella scanalatura inferiore del tubo e spingere completamente la maniglia posteriore nel sistema di blocco nell'estremità superiore del tubo. [6]

SISTEMA DI PROTEZIONE

Al fine di salvaguardare l'affidabilità del prodotto quando utilizzato in condizioni non corrette, l'apparecchio è dotato di due sistemi di protezione integrati, uno sull'apparecchio stesso e uno sulla spazzola.

NOTA: Il sistema di protezione entra in funzione al verificarsi di due condizioni:

1. se vi sono ostruzioni nella presa d'aria o nel tubo, l'apparecchio si spegne e la spia LED sull'unità principale diventa di colore rosso. Se ciò accade, controllare semplicemente se ci sono ostruzioni nel tubo o nella presa d'aria dell'unità portatile. Rimuoverle e riaccendere.
2. Se è presente un blocco sulla spazzola rotante, la rotazione verrà interrotta e la spia LED BIANCA sulla spazzola si illuminerà di colore ROSSO. [14] Se ciò dovesse accadere, spegnere semplicemente l'apparecchio e pulire la spazzola rotante dall'ostruzione. Per riprendere la pulizia, premere il pulsante accensione/spegnimento e l'apparecchio riprenderà a funzionare normalmente.

BATTERIA

Questo apparecchio è dotato di spia LED indicante lo stato della batteria. Quando l'apparecchio è acceso, la spia LED si illumina di colori diversi per indicare il livello di carica della batteria:

LIVELLO CARICA BATTERIA:

Colore bianco: 100% - 70% di carica

Colore blu: <70% - 40% di carica

Colore rosso: <40% - 10% di carica

Rosso lampeggiante: <10% di carica

Ci sono 2 modalità di ricarica:

Caricare la batteria quando è installata sull'apparecchio.

Inserire il jack del caricabatterie nella batteria. Il LED di stato batteria è di colore ROSSO durante la ricarica. A carica completamente terminata, il LED di stato batteria si illumina di colore BIANCO per un minuto, poi si spegne. [7]

Caricare la batteria estratta dall'apparecchio.

Estrarre la batteria dall'apparecchio premendo i pulsanti di rilascio della batteria stessa.

Inserire il jack del caricabatterie nella batteria. Il LED di stato set batteria è di colore ROSSO durante la ricarica. A ricarica completata, la spia LED si illumina di colore BIANCO. [8]

NOTA: È normale che il caricatore si scaldi mentre lavora. Usare solo il caricatore in dotazione.

ACCESSORI

ACCESSORIO PER FESSURE INTEGRATO SULL'UNITÀ PORTATILE, ACCESSORIO PER FESSURE INTEGRATO SUL TUBO, SPAZZOLA A PENNELLO E BOCCHETTA PER IMBOTTITI 2IN1 E MINI TURBOSPAZZOLA.

Accessori per fessure integrati - ideale per accedere in spazi ristretti.

Spazzola a pennello - ideale per la pulizia di superfici senza danneggiarle o graffiarle.

Spazzola per imbottiti - ideale per la pulizia di superfici imbottite come i divani.

Tutti gli accessori possono essere inseriti nell'apparecchio principale o nel tubo. [4]

NOTA: La Mini Turbospazzola è ideale per la pulizia profonda di tessuti (come ad esempio divani) e per rimuovere i peli degli animali domestici. Passarla avanti e indietro regolarmente. Dopo l'uso, prestare attenzione e se necessario, rimuovere con delle forbici eventuali capelli o fili aggrovigliati nella spazzola.

BORSA ACCESSORI*

Gli accessori possono essere riposti nella apposita borsa.

* Solo su alcuni modelli

Supporto a Parete*

Fissare il supporto a muro al muro utilizzando le viti fornite.. [2]

MANUTENZIONE DELL'APPARECCHIO

Promemoria per la manutenzione del prefiltro. Se il prefiltro necessita di manutenzione, la spia rossa sull'apparecchio inizia a lampeggiare.

Svuotamento del contenitore raccogli-polvere

1. Premere il pulsante di rilascio del corpo principale e staccare il tubo. [5]
2. Premere il pulsante per lo svuotamento della vaschetta raccogli-polvere per aprire lo sportello contenitore e svuotarne il contenuto. [9]
3. Rilasciare il pulsante dello sportello della vaschetta raccogli-polvere, si udirà un "click" quando perfettamente bloccato.

NOTA: Si consiglia di svuotare la vaschetta raccogli-polvere dopo ogni utilizzo o quando la polvere supera il livello di riempimento massimo.

Pulizia del contenitore raccogli-polvere e del filtro

La spia LED sull'apparecchio comincia a lampeggiare di colore ROSSO per avvisare che il filtro pre-motore deve essere pulito.

1. Premere il pulsante di rilascio dell'unità portatile e staccarla dal tubo. [5]
2. Premere il pulsante di rilascio della batteria per estrarla. [8]
3. Estrarre il gruppo contenitore raccogli-polvere ruotandolo e tirandolo dall'unità. [10]
4. Rimuovere il filtro pre-motore tirando la levetta del contenitore del gruppo raccogli-polvere. [11a]
5. Estrarre l'unità ciclonica singola tirando l'anello metallico presente sul contenitore del gruppo raccogli-polvere.
6. Estrarre il condotto d'uscita dall'unità ciclonica ruotando in senso orario e tirando. [11b]
7. Lavare il filtro e l'unità ciclonica singola in acqua tiepida e lasciare asciugare per 24 ore. [12,13]
8. Riassamblarli quando completamente asciutti e riposizionarli nell'apparecchio.

NOTA: Non utilizzare acqua bollente o detersivi durante la pulizia del filtro pre-motore. Se accidentalmente il filtro pre-motore viene danneggiato, sostituirlo con ricambio originale Hoover. Assicurarsi di rimontare il filtro pre-motore prima di assemblare il contenitore della polvere sul corpo principale dell'apparecchio, per non attivare il sistema di protezione del filtro.

IMPORTANTE: Per mantenere prestazioni ottimali, tenere sempre il filtro pulito. Si raccomanda di lavare il filtro almeno ogni due settimane.

Sostituzione e pulizia spazzola rotante

IMPORTANTE: Spegnerne sempre l'apparecchio prima di assemblare o pulire la spazzola rotante.

1. Staccare la spazzola dal tubo.
2. Staccare la levetta per il rilascio della spazzola rotante. Essa è posizionata sulla parte laterale della spazzola. [17]
3. Tenere la levetta di rilascio della spazzola rotante e rimuoverla.
4. Per pulire l'agitatore Intense Floor, rimuovere lo sporco in eccesso con delle forbici.
5. Rimontare la spazzola rotante. La spazzola rotante può essere inserita solo in una direzione.
6. Chiudere la levetta di rilascio della spazzola rotante per fissarla nella corretta posizione.

Sostituzione delle batterie

L'apparecchio è dotato di un set di batterie ricaricabili al litio che possono essere sostituite.

ATTENZIONE: Utilizzare solo parti di ricambio originali per il vostro apparecchio. L'uso di parti non originali Hoover può risultare pericoloso ed invalida la garanzia.

ATTENZIONE: Non tentare di aprire o riparare la batteria.

1. Premere i pulsanti di rilascio e tirate per estrarre la batteria. [8]
2. Estrarre il vecchio set batteria e sostituirlo con uno nuovo.
3. Smaltire le batterie in sicurezza. Le batterie usate devono essere riposte in un centro di riciclaggio e non smaltite con i rifiuti domestici.

RISOLUZIONE DEI PROBLEMI

In caso di problemi con l'apparecchio, completare questa semplice checklist utente prima di chiamare il Centro per l'Assistenza Clienti Hoover:

A. L'apparecchio non si accende

Controllare che l'apparecchio sia carico.

Controllare che il set di batterie sia posizionato correttamente.

B. L'apparecchio smette di funzionare

Controllare se ci sono ostruzioni nella presa d'aria o nel tubo e nel caso pulirli assicurandosi prima che l'apparecchio sia spento. Quindi premere semplicemente l'interruttore accensione/spegnimento e l'apparecchio riprenderà a funzionare.

C. Forza aspirante bassa o nulla

Svuotare la vaschetta raccogli-polvere, lavare il pre-filtro e l'unità separatrice.

Rimuovere la spazzola e controllare eventuali ostruzioni nel condotto.

D. Le batterie non possono essere caricate

Potrebbe essere a causa di lunghi periodi di conservazione (oltre un semestre).

Contattare un Centro per l'Assistenza Clienti Hoover per la sostituzione delle batterie.

Se il problema persiste, contattare il Centro per l'Assistenza Clienti Hoover più vicino.

INFORMAZIONI IMPORTANTI**PARTI DI RICAMBIO E DI CONSUMO HOOVER**

Utilizzare sempre parti di ricambio originali Hoover, che è possibile acquistare dal distributore locale Hoover o direttamente sul sito internet Hoover. Quando si ordinano delle parti di ricambio, ricordarsi sempre di fornire il numero di modello dell'apparecchio utilizzato.

ASSISTENZA E GARANZIA HOOVER

Questo prodotto è garantito, oltre che ai sensi di legge, alle condizioni e nei termini riportati sul certificato di garanzia convenzionale inserito nel prodotto. Il certificato dovrà essere conservato e mostrato al nostro Centro di Assistenza Tecnica Autorizzato, in caso di necessità, insieme allo scontrino comprovante l'acquisto dell'elettrodomestico. Puoi consultare le condizioni di garanzia anche sul nostro sito internet. Per ottenere assistenza compila l'apposito form on-line oppure contattaci al numero che trovi indicato nella pagina di assistenza del nostro sito internet. Queste condizioni potrebbero venire modificate senza obbligo di preavviso.

INSTRUÇÕES PARA UMA UTILIZAÇÃO SEGURA

Este aparelho só deve ser utilizado para limpeza doméstica, conforme descrito neste guia do utilizador. Certifique-se de que este manual é totalmente compreendido antes de utilizar o aparelho.

Desligue sempre o aparelho e retire o carregador da tomada antes de limpar o aparelho ou efectuar qualquer tarefa de manutenção.

Este aparelho pode ser utilizado por crianças com idade igual ou superior a 8 anos e por pessoas com capacidades mentais, sensoriais e físicas reduzidas ou sem experiência e conhecimento caso lhes sejam fornecidas instruções e supervisão relativas à utilização do aparelho de modo seguro e caso compreendam os perigos envolvidos. As crianças não devem brincar com o aparelho. A limpeza e a manutenção não devem ser efectuada por crianças sem supervisão.

Se o cabo de alimentação estiver danificado deixe de utilizar o aparelho imediatamente. Para evitar um risco de segurança, o cabo de alimentação deve ser substituído por um técnico de assistência autorizado da Hoover.

Mantenha as mãos, os pés, as roupas largas e o cabelo longe das escovas rotativas.

Utilize apenas o carregador original fornecido com o aparelho.

Verifique que a tensão de alimentação corresponde à indicada no carregador.

Este electrodoméstico da Hoover vem com um carregador de baterias duplamente isolado que é apenas adequado para alimentação eléctrica de 230 V (240 V no Reino Unido).

Ligue o carregador a uma tomada eléctrica adequada e ligue a ficha do carregador ao eletrodoméstico.

Desligue o aparelho antes do carregamento.

Antes da primeira utilização, carregue o aparelho durante, pelo menos, 24 horas. A luz LED do pack de baterias irá acender a VERMELHO durante o carregamento e irá acender a BRANCO quando totalmente carregado.

Volte a ligar o aparelho ao carregador depois da utilização para recarregar a bateria.

Nunca troque as baterias em temperaturas acima de 37°C ou abaixo de 0°C.

É normal que o carregador aqueça enquanto estiver a carregar.

Não desligue o carregador puxando o cabo.

Desligue o carregador em caso de ausência prolongada (férias,

etc.). Recarregue novamente o produto antes de utilizar, pois a bateria pode descarregar durante longos períodos de armazenamento.

Se for necessário eliminar o aparelho, primeiro retire as baterias. O aparelho deve ser desligado da fonte de alimentação ao remover a bateria. Elimine as baterias em segurança. Deixe o aparelho em funcionamento até parar devido ao facto de as baterias estarem completamente descarregadas. As pilhas usadas devem ser levadas para uma estação de reciclagem e não devem ser colocadas no lixo doméstico. Para remover as baterias, contacte o centro de apoio ao cliente da Hoover ou prossiga de acordo com as instruções seguintes.

IMPORTANTE: Descarregue, sempre, na totalidade as baterias antes de as remover.

Coloque o aspirador em funcionamento até a bateria estar totalmente descarregada.

Remova a ficha de tomada do carregador do aparelho.

Prima os botões de libertação do pack de baterias e deslize para remover.

NOTA: Caso experiencie qualquer dificuldade na desmontagem da unidade ou necessite de informações mais detalhadas sobre o trabalho, recuperação e reciclagem deste aparelho, contacte o departamento da sua cidade ou o serviço de eliminação de lixo doméstico.

Utilize apenas acessórios, consumíveis ou peças sobressalentes recomendadas ou fornecidas pela Hoover.

Electricidade estática: Algumas alcatifas podem provocar uma pequena acumulação de electricidade estática. A descarga de electricidade estática não constitui qualquer perigo para a saúde.

Não utilize o aparelho no exterior, em superfícies húmidas ou para aspirar líquidos.

Não aspire objectos duros ou afiados, fósforos, cinzas quentes, pontas de cigarro ou outros itens semelhantes. Não pulverize nem aspire líquidos inflamáveis, líquidos de limpeza, aerossóis ou respectivos vapores.

Não passe por cima do cabo de alimentação ao utilizar o aspirador nem retire a ficha puxando pelo cabo de alimentação. Não continue a utilizar o aparelho ou o carregador caso aparente estar defeituoso.

Assistência da Hoover: Para assegurar o funcionamento seguro e eficiente deste aparelho, recomendamos que todas as intervenções de assistência ou reparação sejam efectuadas apenas por um técnico

de assistência autorizado da Hoover.

Não utilize o aparelho para limpar pessoas ou animais.

Não substitua as baterias por baterias não recarregáveis.

Ambiente:

Este electrodoméstico está marcado de acordo com o disposto na directiva europeia 2011/65/EC relativa aos resíduos de equipamentos eléctricos e electrónicos (REEE). Ao garantir que este produto é eliminado de forma correcta, estará a contribuir para evitar potenciais consequências negativas para o ambiente e a saúde humana, o que pode ocorrer devido a um tratamento inadequado dos resíduos deste produto. O símbolo no produto indica que este não pode ser tratado como resíduo doméstico. Pelo contrário, deve ser encaminhado para o ponto de recolha aplicável para reciclagem de equipamento eléctrico e electrónico. A eliminação deve ser realizada em conformidade com as leis ambientais locais relativas à eliminação de resíduos. Para obter informações mais detalhadas sobre o tratamento, recuperação e reciclagem deste produto, contacte as autoridades locais, o serviço de eliminação de resíduos domésticos ou a loja onde adquiriu o produto.q



| | |
|---|---|
| Bandas de frequência | 2400Mhz ~ 2483.5Mhz |
| Potência de RF máxima transmitida na banda de frequência | 802.11 b: +20 dBm 802.11 g: +17 dBm 802.11 n: +14 dBm |

CE Com o presente, o Candy Hoover Group Srl declara que o aparelho assinalado cumpre os requisitos importantes das Diretivas 2014/53/UE e 2011/65/UE. Para receber uma cópia da declaração de conformidade, entre em contacto com o fabricante em: www.candy-group.com

CANDY HOOVER GROUP S.r.l. Via Privata Eden Fumagalli, 20861 Brugherio (MB) Italy

COMPONENTES DO PRODUTO

- | | |
|---|---|
| <ul style="list-style-type: none"> A. Botão ON/OFF (Ligar/Desligar) B. Botão Turbo C. Botão Silenciar D. Computador WI-FI E. Compartimento para o pó F. Trinco da aba do depósito de pó G. Botão de libertação manual H. Botão de libertação do armazenamento I. Tubo J. Botão de libertação da escova K. Escova L. Luzes LED dianteiras do bocal M. Aba de libertação do bocal N. LED de estado da barra da escova O. Filtro do pré-motor P. Localizador em espiral de ciclone simples Q. Ciclone simples | <ul style="list-style-type: none"> R. Luz LED do modo de energia S. Luz LED do estado da bateria T. Luz de carregamento da bateria U. Botão de libertação da bateria V. Conjunto de baterias W. Entrada de carregamento da bateria X. Carregador Y. Montagem de parede* Z. Parafusos de montagem na parede* AA. Ferramenta 2 em 1 integrada para pó e mobílias AB. Mini Escova Turbo* AC. Saco de acessórios* AD. Tira suave traseira AE. Cilindro intensivo para pavimentos AF. Escova de limpeza AG. Rolo de cuidado profundo |
|---|---|

PREPARAR O SEU ASPIRADOR

Retire o produto da embalagem com cuidado.

1. Segure o bocal e o tubo de extensão, monte uma extremidade do tubo no gargalo do bocal até ouvir um "clique", que significa que encaixou no lugar. **[1a]**
2. Pegue na unidade portátil e monte no tubo até ouvir um "clique", que significa que encaixou no lugar. **[1b]**
3. Fixe a montagem de parede utilizando os parafusos e tampões com porca fornecidos. **[2]**
4. Para carregar totalmente o aparelho, ligue a ficha de tomada do carregador ao pacote da bateria. Demora cerca de 6 horas.

NOTA: Para remover a escova, pressione o botão de libertação da escova e retire do corpo principal.

NOTA: Utilize apenas o carregador fornecido com o aspirador para recarregar. É normal que o carregador aqueça enquanto estiver a carregar.

* Apenas em alguns modelos

UTILIZAR O SEU APARELHO

Há 4 modos de trabalho que pode detetar através da cor da luz LED do modo de energia.

- **MODO STANDARD:** Quando prima o botão Ligar/Desligar, o aspirador está pronto para limpar cuidadosamente com o bocal motorizado principal. A luz LED é branca. [3a]
- **Modo silencioso** Pressione o botão de silêncio para limpar totalmente no nível de ruído mais baixo do produto. A luz muda para verde. [3b]
- **MODO TURBO:** Prima o botão Turbo para a potência total para tarefas de limpeza a fundo. A luz LED é azul. [3c]
- **MODO AUTOMÁTICO:** Quando remove o bocal ou o tubo, o produto adapta-se automaticamente a uma energia mais baixa para limpeza acima do solo, com ferramentas não motorizadas. A luz LED é azul clara/ciano.

ESTADO DA BARRA DE ESCOVA

O LED de estado da barra de escova no bocal permanece iluminado a branco durante todos os modos de limpeza do piso e fica vermelho se o sistema de proteção de segurança estiver ativado. [14]

CONFIGURAÇÃO Wi-Fi

NOTA: Este produto dispõe de uma ligação Wi-Fi para melhorar a interação com o aspirador. Permite-lhe obter estatísticas sobre a utilização do produto, como utilizar e monitorizar melhor a manutenção geral do produto para garantir o seu desempenho.

Registo

Podemos ligar/desligar o Wi-Fi ao premir o botão Wi-Fi como mostrado no diagrama. [3d] A luz LED pisca continuamente até o aspirador estabelecer ligação com a Aplicação de Assistente da Hoover.

1. Pode transferir a Aplicação de Assistente da Hoover ao ler o código QR na capa deste manual.
2. Instale-a no seu smartphone.
3. Siga as instruções na aplicação para configurar o aspirador.

Quando estiver instalada corretamente, o smartphone estabelece ligação automaticamente.

REPOR WI-FI

Podemos repor o aspirador ao premir o botão Wi-Fi durante 5 segundos até o LED começar a piscar.

Necessita de voltar a ligar o aspirador à aplicação.

NOTA: assim que bloquear o produto por aplicação, pode desbloqueá-lo com a aplicação ou ao premir o botão "Turbo" ou "Silêncio" no produto durante 3 segundos em simultâneo.

SELECIONE O ROLO ADEQUADO PARA A MELHOR LIMPEZA

Cilindro intensivo para pavimentos*: recomenda-se utilizar na tapete pela qual consiga ir a fundo para limpar o pó.

Rolo de cuidado profundo*: recomenda-se utilizar em pavimentos duros ou parquet delicado. Graças às cerdas suaves, é possível limpar levemente estes tipos de pavimentos.

IMPORTANTE: Desligue sempre o aspirador antes de mudar e limpar o agitador.

NOTA: Para montar o rolo, aconselhamos utilizar: [17]

1. Liberte a aba de libertação do agitador Posicionada na parte lateral do bocal.
2. Segure na aba de libertação do agitador e puxe-a para retirar o agitador.
3. Substituir com o rolo de limpeza de pavimentos intensa ou com o Rolo de cuidado profundo.
4. Volte a colocar na respetiva posição a aba de libertação do agitador.

MONTAGEM DA ESCOVA DO LIMPADOR

Para obter a melhor forma e desempenho na tapete, recomenda-se montar as escovas dianteira e traseira à placa do bocal.

Para isto, abra a aba de libertação do agitador e remova a fita suave. Em seguida, agarre uma escova inserindo uma na ranhura traseira e deslize até ficar totalmente encaixada. Repita estas operações para a segunda escova e deslize-a na ranhura dianteira. Bloqueie a aba de libertação do agitador. [16]

* Apenas em alguns modelos

FUNÇÃO DE ARMAZENAMENTO

Após a utilização, o aspirador tem 2 modos de armazenamento convenientes.

1. ARMAZENAMENTO POR MONTAGEM NA PAREDE

O produto é fornecido com um modo de montagem na parede para um armazenamento fácil e conveniente. Utilizando os parafusos fornecidos, fixe o suporte de montagem na parede à parede. Após a utilização do produto, basta colocar o aspirador no devido local. [2]

2. MODO DE ARMAZENAMENTO COMPACTO

Para armazenar o produto no tubo, remova a unidade portátil premindo o botão de libertação da unidade portátil. [5] Certifique-se de que a ferramenta 2 em 1 integrada (AA) volta à posição original, conforme fornecida, garantindo que a ferramenta está totalmente no sítio com a escova de pó e o gancho de localização na posição virada para baixo.

Monte o gancho de localização na ranhura inferior do tubo e empurre o manípulo traseiro totalmente para o sítio no mecanismo de bloqueio situado na parte superior do tubo. [6]

SISTEMA DE PROTEÇÃO DE SEGURANÇA

Para garantir que a fiabilidade do produto não é afetada se este for utilizado em condições exigentes, o produto inclui dois sistemas de proteção de segurança integrados, um no aspirador e um no bocal.

NOTA: O sistema de proteção de segurança será ativado em duas condições.

1. se houver obstruções na entrada de ar ou no tubo, o aspirador será protegido e desligado e a luz LED da unidade principal ficará vermelha. Se isto acontecer, basta verificar se há alguma obstrução no tubo ou na entrada de ar da unidade portátil. Remova-a e volte a ligar.

2. se o agitador estiver bloqueado ou travado, assim que for acionado, o agitador irá parar de girar e as luzes LED BRANCAS do bocal ficarão VERMELHAS. [14] Se tal acontecer, deve desligar o produto e remover a obstrução do agitador. Para terminar a limpeza, pressione o botão on/off e o produto reinicia no modo normal.

BATERIA

Este aspirador está equipado com uma luz LED de estado da bateria. Quando o produto está ligado, a luz LED acende-se em diferentes cores para mostrar o nível da bateria.

NÍVEL DA BATERIA:

Branco: 100% - 70% carregar

Azul: <70% - 40% carregar

Vermelho: <40% - 10% carregar

Vermelho intermitente: <10% carregar

Há 2 métodos de carregamento:

Carregue a bateria quando encaixada no produto.

Insira o conector do carregador da bateria na bateria. O indicador LED de estado irá acender-se a VERMELHO durante o carregamento. Quando o carregamento estiver concluído, o indicador LED de estado irá acender-se a BRANCO durante 1 minuto e depois irá desligar-se. [7]

Carregue a bateria quando removida do produto.

Remova a bateria do produto premindo os botões de libertação da bateria.

Insira o conector do carregador da bateria na bateria. O LED do pack da bateria irá acender-se a VERMELHO durante o carregamento. Quando o carregamento estiver concluído, o indicador LED irá acender-se a BRANCO. [8]

NOTA: É normal que o carregador aqueça enquanto estiver a carregar. Utilize apenas o carregador fornecido com o aspirador.

ACESSÓRIOS

ACESSÓRIO PARA FENDAS INTEGRADO NA UNIDADE PORTÁTIL, ACESSÓRIO PARA FENDAS INTEGRADO NO TUBO, FERRAMENTA 2 EM 1 PARA PÓ E MOBÍLIAS E ESCOVA MINI-TURBO.

Acessórios para fendas integrados - ideais para conseguir chegar a espaços apertados.

Escova para pó - ideais para limpar superfícies sem danificar nem riscar.

Escova para móveis - ideais para limpar superfícies como sofás.

Todos os acessórios podem ser encaixados no produto principal e no tubo. [4]

NOTA: A mini escova turbo é ideal para a limpeza profunda de superfícies têxteis (ou seja, sofás) e remoção de pêlos de animais. Desloque firmemente para trás e para a frente. Depois da utilização, retire os pêlos/fios recolhidos da escova com uma tesoura, se necessário.

SACO DE ACESSÓRIOS*

Podem ser armazenados acessórios adicionais no saco de acessórios.

* Apenas em alguns modelos

Montagem de parede*

Pendure o suporte de parede à parede utilizando os dois parafusos incluídos no produto para pendurar o produto. [2]

MANUTENÇÃO DO APARELHO

Lembrete de manutenção do pré-filtro. Se o pré-filtro precisar de manutenção, a luz vermelha do aspirador começa a piscar a vermelho.

Esvaziar o depósito de pó

1. Prima o botão de libertação da estrutura principal e remova o tubo. [5]
2. Empurre o botão de esvaziamento do compartimento para pó para soltar a aba do recipiente e esvazie o conteúdo. [9]
3. Feche o botão de libertação da aba do compartimento para pó; irá ouvir um "clique" quando estiver totalmente travado.

NOTA: É recomendado esvaziar o compartimento para pó depois de cada utilização ou quando o pó estiver até à linha máxima de enchimento.

Limpe o depósito de pó e o filtro

O indicador LED do produto irá piscar a VERMELHO, indicando que é necessário limpar o filtro do pré-motor.

1. Prima o botão de libertação da unidade portátil e remova a unidade portátil do tubo. [5]
2. Prima o botão de libertação da bateria e remova a bateria. [8]
3. Remova o conjunto do compartimento do pó rodando-o e puxando-o da unidade. [10]
4. Primeiro, remova o filtro do pré-motor, puxando o suporte do conjunto do depósito. [11a]
5. Remova o sistema de ciclone único, retirando o anel de metal do conjunto do depósito.
6. Remova o localizador de vórtice, rodando-o para a direita e puxando-o para fora do sistema de ciclone. [11b]
7. Lave o filtro e o sistema de ciclone simples com água morna e deixe secar durante 24 horas. [12,13]
8. Volte a montar assim que estiver completamente seco e volte a colocar no produto.

NOTA: Não use água quente nem detergentes para limpar o filtro do pré-motor. No caso improvável de o filtro do pré-motor ficar danificado, utilize um sobressalente original da Hoover. Não se esqueça de voltar a instalar o filtro do pré-motor antes de montar o compartimento do pó na estrutura principal do aspirador, pois o mecanismo de proteção do filtro será ativado.

IMPORTANTE: Para garantir o melhor desempenho, mantenha sempre o filtro limpo. Recomendamos que o filtro seja lavado pelo menos a cada duas semanas.

Substituir e limpar o agitador

IMPORTANTE: Desligue sempre o aspirador antes de mudar e limpar o agitador.

1. Remova o bocal do tubo.
2. Liberte a aba de libertação do agitador Posicionada na parte lateral do bocal. [17]
3. Segure na aba de libertação do agitador e remova o agitador.
4. Para limpar o Rolo de Limpeza Intensa do Chão, remova a sujidade em excesso utilizando tesouras.
5. Volte a instalar o agitador. O agitador apenas pode ser instalado numa direção.
6. Feche a aba de libertação do agitador para fixar o agitador no respetivo sítio.

Substituição das baterias

Este aspirador está equipado com um pack de bateria de iões de lítio recarregável que pode ser substituído.

ATENÇÃO: Utilize apenas peças de substituição aprovadas para o aspirador. A utilização de peças não aprovadas pela Hoover é perigosa e irá tornar a sua garantia inválida.

ATENÇÃO: Não tente abrir o conjunto de baterias e repará-lo.

1. Prima os botões de libertação da bateria e puxe a bateria para fora. [8]
2. Retire a bateria antiga e substitua-a por uma bateria nova.
3. Elimine as baterias em segurança. As pilhas usadas devem ser levadas para uma estação de reciclagem e não devem ser colocadas no lixo doméstico.

RESOLUÇÃO DE PROBLEMAS

Se tiver qualquer problema com o aspirador, siga esta lista de verificação simples antes de contactar o Centro de Assistência ao Cliente da Hoover:

A. O aspirador não liga

Verifique se o aspirador está carregado.

Controle se o pacote da bateria está montado no lugar.

B. O aspirador parou de trabalhar.

Verifique se há alguma obstrução na entrada de ar ou no tubo, elimine-a e certifique-se de que o produto está desligado. Depois de fazer isto, basta premir o botão Ligar/Desligar e o produto irá começar a funcionar novamente.

C. Perda de sucção ou sem sucção.

Esvazie o compartimento para pó e lave o pré-filtro e o separador. Retire a escova e verifique se existe qualquer obstrução na conduta.

D. Não é possível carregar a bateria

Isto pode dever-se a um período de armazenamento muito longo (mais de meio ano).

Contacte o serviço de apoio ao cliente da Hoover para que a bateria seja substituída.

Se o problema persistir, contacte o centro de assistência ao cliente da Hoover.

PEÇAS SOBRESSALENTES E CONSUMÍVEIS HOOVER

Substitua sempre as peças por peças sobressalentes Hoover genuínas. Pode obtê-las junto do seu representante local ou directamente da Hoover. Quando encomendar peças, mencione sempre o número do seu modelo.

A SUA GARANTIA

As condições de garantia para este aparelho são as definidas pelo nosso representante no país onde foi vendido. Pode obter detalhes sobre estas condições junto do agente a quem adquiriu o aparelho. A factura de venda ou o recibo deverão ser entregues quando apresentar uma reclamação ao abrigo dos termos da garantia.

IMPORTANTE: A bateria neste aspirador possui uma garantia de 2 anos a partir da data de compra. Após 2 anos, o comprador é responsável pelo custo da nova bateria.

Sujeito a alteração sem aviso prévio.

INSTRUCCIONES PARA UN USO SEGURO

Este aparato solo debe utilizarse para la limpieza doméstica habitual, como se describe en este manual de usuario. Asegúrese de haber comprendido todo el contenido de este manual antes de poner en funcionamiento el aparato.

Apague y quite el cargador de la toma de corriente antes de limpiar el aparato o de efectuar cualquier operación de mantenimiento.

Este aparato puede ser usado por niños de 8 años en adelante y personas con capacidades físicas, sensoriales o mentales reducidas o falta de experiencia y conocimiento bajo supervisión y con una explicación de las instrucciones con respecto al uso del aparato de manera segura y que comprendan los riesgos implicados. Los niños no deben jugar con el aparato. Los niños no deben limpiar ni dar mantenimiento sin supervisión.

Si el cable de alimentación está dañado, deje de utilizar el aparato inmediatamente. Para evitar riesgos de seguridad, el cable de alimentación sólo puede ser cambiado por un especialista del servicio técnico de Hoover.

Mantener lejos de los cepillos rotatorios pies, manos, ropa suelta y cabellos.

Utilice únicamente el cargador original suministrado con el aparato. Controle que el voltaje de la corriente eléctrica sea el mismo que el indicado en el cargador.

Este aparato Hoover se proporciona con un cargador de baterías con doble aislamiento que sólo se puede conectar en una toma de corriente de 230V (240V en Reino Unido).

Enchufe el cargador en una toma de corriente adecuada y conecte la clavija del cargador al electrodoméstico.

Apague el aparato antes de efectuar la carga.

Antes del primer uso, cargue el aspirador durante al menos 24 horas. La luz led del paquete de baterías se iluminará de color ROJO durante la carga y se volverá de color BLANCO cuando la carga esté completa.

Vuelva a conectar el cargador al electrodoméstico después del uso para recargar la batería.

No cargue nunca la batería a temperaturas superiores a los 37°C o inferiores a 0°C.

Es normal que el cargador esté caliente al tacto mientras se está cargando.

No tire del cable para desenchufar el cargador.

Desenchufe el cargador en caso de ausencias prolongadas (vacaciones, etc.). Vuelva a cargar el aparato nuevamente antes

de usarlo, ya que la batería se podría descargar durante períodos de almacenamiento prolongados.

Si se debe desechar el aparato, primero es necesario extraer la batería. Cuando extraiga la batería, el electrodoméstico debe estar desconectado de la red eléctrica. Elimine la batería de manera segura. Haga funcionar el electrodoméstico hasta que se detenga debido a que la batería está totalmente descargada. Las baterías usadas deben llevarse a un punto de reciclaje y no deben desecharse con los residuos domésticos. Para quitar la batería, contacte con el Servicio Técnico de Hoover o siga las presentes instrucciones.

IMPORTANTE: Descargue siempre las baterías completamente antes de desecharlas y asegúrese de que el cargador está desenchufado.

Haga funcionar el aspirador hasta que las baterías estén completamente descargadas.

Quite el conector jack del cargador del electrodoméstico.

Pulse los botones de desenganche del paquete de baterías y deslice para extraerlo.

NOTA: Si llega a experimentar problemas al desmontar el aspirador o para obtener información más detallada sobre el tratamiento, la recuperación y el reciclaje de este electrodoméstico, contacte con su Ayuntamiento o con el servicio de recogida de residuos domésticos de su zona.

Utiliza únicamente accesorios, consumibles o repuestos recomendados o distribuidos por Hoover.

Electricidad estática: Algunas alfombras pueden provocar una pequeña acumulación de electricidad estática. Las descargas estáticas no son peligrosas para la salud.

No utilice el aparato al aire libre, en superficies húmedas o para recoger líquidos.

No aspire objetos duros o afilados, cerillas, cenizas calientes, colillas de cigarrillo u objetos similares. No rocíe, ni aspire líquidos inflamables, aerosoles para limpiar o sus vapores.

No pase por encima del cable de alimentación cuando utilice el aparato ni lo desenchufe tirando del cable. No siga utilizando el electrodoméstico o el cargador si parece estar defectuoso.

Servicio Técnico de Hoover: Para garantizar el funcionamiento seguro, eficaz y duradero del aspirador, recomendamos que las tareas de mantenimiento sean realizadas exclusivamente por técnicos autorizados del servicio Técnico de Hoover.

No utilice el aparato en personas ni animales.

No sustituya las baterías por baterías no recargables.

El Medio Ambiente:

Este aparato está marcado de acuerdo con la Directiva Europea 2011/65/EC sobre residuos de aparatos eléctricos y electrónicos (RAEE). Al cerciorarse de que este producto se elimine correctamente, usted ayudará a prevenir las posibles consecuencias perjudiciales para el medio ambiente y la salud humana que, de otro modo, podrían producirse en caso de manejo inadecuado de los residuos de este producto. El símbolo que puede verse en el producto indica que éste no puede tratarse como residuo doméstico. En vez de esto debe entregarse en un punto de recogida de electrodomésticos para el reciclaje de equipos eléctricos y electrónicos. La eliminación debe llevarse a cabo según los reglamentos medioambientales locales sobre eliminación de residuos. Para información más detallada sobre el tratamiento, la recuperación y el reciclaje de este producto, póngase en contacto con su Ayuntamiento, su servicio de recogida de residuos domésticos o con el establecimiento donde haya comprado el producto.



| | |
|--|---|
| Bandas de frecuencias | 2400MHz ~ 2483.5MHz |
| Potencia máxima de radiofrecuencia transmitida en la banda de frecuencias | 802.11 b: +20 dBm 802.11 g: +17 dBm 802.11 n: +14 dBm |

C E Mediante el presente, Candy Hoover Group Srl declara que este electrodoméstico que tiene el marcado cumple con los requisitos esenciales de las Directivas 2014/53/EU y 2011/65/EU. Si desea recibir una copia de la declaración de conformidad, contacte con el fabricante en: www.candy-group.com

CANDY HOOVER GROUP S.r.l. Via Privata Eden Fumagalli, 20861 Brugherio (MB) Italy

COMPONENTES DEL PRODUCTO

- | | |
|---|--|
| A. Botón de Encendido/Apagado | Q. Monociclón |
| B. Botón Turbo | R. Luz led del modo de potencia |
| C. Botón Modo Silencio | S. Luz led de estado de la batería |
| D. Interruptor WiFi | T. Luz de carga de la batería |
| E. Depósito de suciedad | U. Botón de liberación de la batería |
| F. Pulsador de desbloqueo de la solapa del depósito de suciedad | V. Batería |
| G. Botón de desenganche de la unidad portátil | W. Entrada de carga de la batería |
| H. Botón de desbloqueo de almacenamiento | X. Cargador |
| I. Tubo | Y. Soporte de pared* |
| J. Botón desbloqueo de tobera | Z. Tornillos del soporte de pared* |
| K. Tobera | AA. Accesorio para muebles y cepillo para polvo integrado 2 en 1 |
| L. Luces led delanteras de la tobera | AB. Tobera Mini-turbo* |
| M. Solapa de desbloqueo de la tobera | AC. Bolso para accesorios* |
| N. Led de estado de la barra del cepillo | AD. Banda blanda trasera |
| O. Filtro pre-motor | AE. Rodillo Intense Floor |
| P. Conducto de salida del monociclón | AF. Rasqueta |
| | AG. Rodillo Deep Care |

PREPARACIÓN DEL ASPIRADOR

Extraiga con cuidado el electrodoméstico del embalaje.

1. Agarre la tobera y el tubo de extensión, monte un extremo del tubo en el interior del cuello de la tobera hasta que encaje en su lugar y se oiga un "clic". **[1a]**
2. Agarre la unidad portátil y ensamble en el tubo hasta que encaje en su lugar y se oiga un "clic". **[1b]**
3. Fije el soporte de pared a la pared utilizando los tornillos y los tapones de tornillos suministrados. **[2]**
4. Para cargar por completo el electrodoméstico, conecte el conector jack del cargador al paquete de baterías. Esto durará aproximadamente 6 horas.

NOTA: Para retirar la tobera, presione el botón de desbloqueo de la tobera y retirela del cuerpo principal.

NOTA: Sólo utilice el cargador proporcionado con su aspirador para recargar. Es normal que el cargador esté caliente al tacto mientras se está cargando.

* Sólo para algunos modelos

USO DEL APARATO

Hay 4 modos de funcionamiento que se pueden detectar en base al color de la luz led de modo de potencia.

- **MODO ESTÁNDAR:** Al pulsar el botón de ENCENDIDO-APAGADO, la aspiradora está lista para limpiar minuciosamente con la tobera principal motorizada. La luz led es blanca. [3a]
- **MODO SILENCIO:** Pulse el botón de modo silencio para limpiar minuciosamente con un nivel de ruido reducido. La luz se vuelve verde. [3b]
- **MODO TURBO:** Pulse el botón Turbo para activar la operación de limpieza profunda. La luz led es azul. [3c]
- **MODO AUTOMÁTICO:** Al quitar la tobera o el tubo, el aparato se adapta automáticamente a una potencia inferior para limpiar encima del suelo, sin accesorios motorizados. La luz led es azul claro/cian.

ESTADO DE LA BARRA DEL CEPILLO

El led de estado de la barra del cepillo ubicado en la tobera permanecerá iluminado de color blanco durante todos los modos de limpieza del suelo y se volverá rojo si se activa el sistema de protección de seguridad. [14]

CONFIGURACIÓN WI-FI

NOTA: Este electrodoméstico está dotado de conexión wifi para mejorar la interacción con la aspiradora. Permite obtener estadísticas sobre el uso del aparato, cómo utilizar y controlar de la mejor manera el mantenimiento general del electrodoméstico para garantizar las prestaciones.

Inscripción

Puede encender/apagar el WiFi pulsando el botón del WiFi como se indica en el diagrama. [3d] La luz led parpadeará continuamente hasta que la aspiradora esté conectada a la aplicación Hoover Wizard.

1. Puede descargar la aplicación Hoover Wizard escaneando el código QR que se encuentra en la portada de este manual.
2. Instálela en su smartphone.
3. Siga las instrucciones indicadas en la aplicación para configurar la aspiradora.

Cuando está instalada correctamente, el smartphone se conectará automáticamente.

RESTABLECIMIENTO DEL WIFI

Puede restablecer la aspiradora pulsando el botón del WiFi durante 5 segundos hasta que la luz led comienza a parpadear. Es necesario volver a conectar la aspiradora a la aplicación.

NOTA: una vez que bloquee el aparato mediante la aplicación, puede desbloquearlo tanto utilizando la aplicación como pulsando al mismo tiempo el botón "Silent" y "Turbo" en el aparato durante 3 segundos.

SELECCIONE EL RODILLO ADECUADO PARA LA MEJOR LIMPIEZA

Rodillo Intense Floor*: Se recomienda su uso para limpiar alfombras ya que puede llegar hasta el fondo de la alfombra para limpiar el polvo.

Rodillo Deep Care*: Se recomienda para usar en suelos duros o parquet delicado. Gracias a las cerdas suaves, usted puede limpiar esos tipos de suelos.

IMPORTANTE: Apague siempre el aspirador antes de cambiar o limpiar el agitador.

NOTA: Para montar el rodillo debe usar: [17]

1. Desacople la solapa de desbloqueo del agitador. Está colocada en la parte lateral de la tobera.
2. Sostén la solapa de desbloqueo del agitador y tira hacia abajo para quitar el agitador.
3. Reemplace con el rodillo de piso intenso o con el rodillo para cuidado profundo.
4. Vuelva a encajar la solapa de desbloqueo del agitador en su lugar.

ENSAMBLE DE LA RASQUETA

Para obtener el mejor resultado en los rincones y las alfombras se recomienda ensamblar la rasqueta delantera y la rasqueta trasera en la suela de la tobera.

Para hacerlo, abra la solapa de desbloqueo del agitador y extraiga la tira suave. Luego agarre una rasqueta introduciendo un extremo en la ranura trasera y deslícela hasta que encaje perfectamente en su alojamiento. Repita este procedimiento para la segunda rasqueta y deslícela en la ranura delantera. Bloquee la solapa de desbloqueo del agitador. [16]

* Sólo para algunos modelos

FUNCIÓN ALMACENAMIENTO

Después del uso, la aspiradora tiene dos cómodos métodos de almacenamiento.

1. ALMACENAMIENTO CON EL SOPORTE DE PARED

El aparato se suministra con un soporte de pared para un almacenamiento fácil y cómodo. Fije el soporte de pared a la pared utilizando los tornillos suministrados. Después de utilizar la aspiradora, simplemente colóquela en su lugar. [2]

2. MODO ESTACIONAMIENTO/ALMACENAMIENTO COMPACTO

Para guardar el electrodoméstico en el tubo, extraiga la unidad portátil pulsando el botón de desbloqueo de la unidad portátil. [5]

Asegúrese de que el accesorio integrado 2 en 1 (AA) haya vuelto a la posición original, como se había proporcionado, controlando que dicho accesorio esté perfectamente encajado en el cepillo para polvo y el gancho de fijación esté hacia abajo.

Ensamble el gancho de fijación en la ranura inferior del tubo y empuje el mango trasero hasta que encaje perfectamente en el mecanismo de bloqueo ubicado en la parte superior del tubo. [6]

SISTEMA DE PROTECCIÓN DE SEGURIDAD

Para asegurar que el electrodoméstico mantenga su fiabilidad si se usa en condiciones difíciles, el aparato está dotado de dos sistemas de protección de seguridad integrados, uno en la aspiradora y uno en la tobera.

NOTA: El sistema de protección de seguridad de la aspiradora se accionará en dos condiciones:

1. si hay obstrucciones en la entrada del aire o en el tubo, la aspiradora estará protegida, se apagará y la luz led de la unidad principal se vuelve roja. Si esto sucede, controle si hay una obstrucción en el tubo o en la entrada del aire de la unidad portátil. Elimínela y vuelva a encender.

2. Una vez que el agitador se pone en marcha, si éste tiene una obstrucción o está bloqueado, dejará de girar y las luces led BLANCAS situadas en la tobera se volverán ROJAS. [14] Si esto sucede, apaga el electrodoméstico y elimina la obstrucción del agitador. Para reanudar la limpieza presione el botón de encendido/apagado y el electrodoméstico volverá a encenderse en modo normal.

BATERÍA

La aspiradora está dotada de Luz led de estado de la batería. Cuando el aparato está encendido, la luz led se iluminará de diferentes colores para indicar el nivel de la batería:

NIVEL DE LA BATERÍA:

Color blanco: 100% - 70% carga

Color azul: <70% - 40% carga

Color rojo: <40% - 10% carga

Rojo intermitente: <10% carga

Hay 2 métodos de carga:

Cargue la batería cuando esté encajada en el aparato.

Introduzca el conector jack del cargador de batería en la batería. El indicador de estado led se iluminará de color ROJO durante el proceso de carga. Cuando la carga esté completa, el indicador de estado led se iluminará de color BLANCO por 1 min y luego se apaga. [7]

Cargue la batería cuando se haya extraído del aparato.

Extraiga la batería del aparato presionando los botones de desbloqueo de la batería.

Introduzca el conector jack del cargador de batería en la batería. El paquete de baterías led se iluminará de color ROJO durante la carga. Cuando la carga esté completa, el indicador led se iluminará de color BLANCO. [8]

NOTA: Es normal que el cargador esté caliente al tacto mientras se está cargando. Utilice sólo el cargador proporcionado con el aparato.

ACCESORIOS

ACCESORIO PARA RINCONES INTEGRADO EN LA UNIDAD PORTÁTIL, ACCESORIO PARA RINCONES INTEGRADO EN EL TUBO, CEPILLO PARA POLVO INTEGRADO Y ACCESORIO PARA MUEBLES 2 EN 1 Y TOBERA MINI TURBO ELIMINADOR DE ALÉRGENOS.

Accesorios para rincones integrados - ideales para espacios estrechos.

Cepillo para polvo - ideal para limpiar superficies sin dañarlas o rayarlas.

Cepillo para limpieza de muebles - ideal para limpiar superficies como el sofá.

Todos los accesorios se pueden encajar en el aparato principal y en el tubo. [4]

NOTA: La tobera Mini Turbo es ideal para una limpieza profunda de los tejidos del hogar (p. ej. sofás) y para eliminar el pelo de las mascotas. Mueva constantemente hacia adelante y hacia atrás. Después del uso, elimine cabello/hilos recogidos en el cepillo, usando las tijeras si es necesario.

BOLSA PARA ACCESORIOS*

Los accesorios adicionales se pueden guardar en la bolsa para accesorios.

* Sólo para algunos modelos

Soporte de pared*

Cuelgue el soporte de pared a la pared, utilizando los dos tornillos incluidos en el aparato para colgarlo. [2]

MANTENIMIENTO DEL APARATO

Recordatorio del mantenimiento del pre-filtro. Si el pre-filtro necesita mantenimiento, la luz roja situada en la aspiradora comienza a parpadear de color rojo.

Vaciado del depósito de suciedad

1. Pulse el botón de desbloqueo del cuerpo principal y extraiga el tubo. [5]
2. Presione el botón de vaciado del depósito de suciedad para desenganchar la tapa del contenedor y vaciar el contenido. [9]
3. Cierre el botón de desbloqueo de la solapa del depósito de suciedad, se oirá un clic cuando esté bloqueado por completo.

NOTA: Se recomienda vaciar el depósito de suciedad después de cada uso o cuando la suciedad llegue a la línea de llenado máximo.

Limpiar el depósito y el filtro

El indicador led del aparato parpadeará de color ROJO para indicar que es necesario limpiar el filtro pre-motor.

1. Presione el botón de desbloqueo de la unidad portátil y extraiga la unidad portátil del tubo. [5]
2. Pulse el botón de desbloqueo de la batería y extraiga la batería. [8]
3. Extraiga el grupo recolector de polvo girándolo y desenganchándolo de la unidad. [10]
4. Extrae el filtro pre-motor desprendiendo el soporte del grupo contenedor. [11a]
5. Saque el sistema monociclón, tirando la anilla metálica del grupo contenedor.
6. Extraiga el conducto de salida girando en el sentido de las agujas del reloj y desprendiendo del sistema ciclón. [11b]
7. Lave el filtro y el sistema monociclón con agua tibia y deje secar durante 24 horas. [12,13]
8. Vuelva a montarlo una vez esté completamente seco y reinstalarlo en el aspirador.

NOTA: No utilice agua caliente o detergentes para limpiar el filtro pre-motor. En el caso poco probable de que el filtro pre-motor se dañe, utilice un repuesto original Hoover. Asegúrese de volver a encajar el filtro pre-motor antes de ensamblar el recolector de polvo en el cuerpo principal de la aspiradora ya que se activará el mecanismo de protección del filtro.

IMPORTANTE: Para obtener prestaciones excelentes, mantenga siempre el filtro limpio. Recomendamos lavar el filtro por lo menos cada dos semanas.

Cambio y limpieza del agitador

IMPORTANTE: Apague siempre el aspirador antes de cambiar o limpiar el agitador.

1. Extraiga la tobera del tubo.
2. Desacople la solapa de desbloqueo del agitador. Está colocada en la parte lateral de la tobera. [17]
3. Sostenga la solapa de desbloqueo del agitador y quite el agitador.
4. Para limpiar el rodillo de piso intenso, elimine cualquier desecho con tijeras.
5. Vuelva a colocar el agitador. El agitador sólo se puede colocar en una dirección.
6. Cierre la solapa de desbloqueo del agitador para asegurar el agitador en su lugar.

Reemplazar las baterías

Esta aspiradora está dotada de un paquete de baterías recargables de ion-litio, el cual es reemplazable.

ADVERTENCIA: Utilice únicamente piezas de repuesto aprobadas para su aspirador. El uso de piezas no homologadas por Hoover es peligroso e invalidará su garantía.

ADVERTENCIA: No trate de abrir la batería ni de repararla por sí mismo.

1. Pulse los botones de desbloqueo de la batería y extraiga la batería. [8]
2. Extraiga el viejo paquete de baterías y sustitúyalo con el nuevo.
3. Elimine la batería de manera segura. Las baterías usadas deben llevarse a un punto de reciclaje y no deben desecharse con los residuos domésticos.

RESOLUCIÓN DE PROBLEMAS

Si tiene algún problema con su aspirador, siga esta simple lista de verificación antes de llamar al Servicio Técnico de Hoover:

A. El aspirador no se enciende

Verifique si el aspirador está cargado.

Verifique si el paquete de baterías está montado en su lugar.

B. El aspirador deja de funcionar

Controle si hay una obstrucción en la entrada del aire o en el tubo, elimínela y asegúrese de que el aparato esté apagado. Una vez que se haya hecho esto, pulse el botón de encendido/apagado, el aparato, comenzará a funcionar nuevamente.

C. Pérdida de aspiración o sin aspiración.

Vacíe el depósito de suciedad y lave el prefiltro y el separador. Extraiga la tobera y controle si hay obstrucciones en el tubo

D. Las baterías no se pueden cargar

Este puede ser el resultado de periodos de almacenamiento muy prolongados (más de 6 meses). Contacte con el servicio técnico de Hoover para acordar un reemplazo de baterías. Si el problema continúa, contacte con el servicio técnico de Hoover.

PIEZAS DE REPUESTO Y CONSUMIBLES HOOVER

Utilice siempre piezas de repuesto originales de Hoover. Puede adquirirlas a través de su ServicioTécnico de Hoover. Cuando realice pedidos de piezas, indique siempre el número de modelo que posee.

SU GARANTÍA

Las condiciones de garantía para este aparato vienen definidas por nuestro representante en el país de venta. Puede obtener los detalles acerca de estas condiciones en el establecimiento donde haya comprado este aparato. Debe mostrarse la factura de compra o el recibo al hacer alguna reclamación en virtud de las condiciones de garantía.

IMPORTANTE: La batería de este aspirador tiene una garantía de 2 años a partir de la fecha de compra. Después de 2 años el coste de una nueva batería está a cargo del cliente.

Sujeto a cambios sin previo aviso.

INSTRUCTIES VOOR VEILIG GEBRUIK

Dit toestel mag enkel gebruikt worden voor reiniging in het huis, zoals beschreven in deze gebruikersgids. Zorg ervoor dat u de instructies volledig begrijpt voordat u het apparaat in gebruik neemt.

Oplader altijd afzetten en stekker uit het stopcontact halen alvorens het schoonmaken van het toestel of enige andere onderhoudstaak te verrichten.

Dit toestel kan gebruikt worden door kinderen vanaf 8 jaar en ouder en personen met verminderde lichamelijke, zintuiglijke of mentale capaciteiten of een gebrek aan ervaring of kennis indien ze toezicht of onderricht gehad hebben betreffende het veilig gebruik van het toestel en het begrip van de gevaren in kwestie. Kinderen mogen niet met het toestel spelen. Reinigings- en gebruiksonderhoud mag niet uitgevoerd worden door kinderen zonder toezicht.

Indien het stroomsnoer beschadigd is, stop dan onmiddellijk met het toestel te gebruiken. Om veiligheidsrisico's te voorkomen, moet het netsnoer worden vervangen door een erkend monteur van Hoover.

Houd handen, voeten, losse kleding en haar uit de buurt van roterende borstels.

Gebruik alleen de oplader die oorspronkelijk bij het toestel geleverd is.

Controleer of uw netspanning dezelfde is als die vermeld op de lader.

Dit Hoover-apparaat is voorzien van een dubbel geïsoleerde batterijoplader, die alleen geschikt is om in een 230V (UK 240V) stopcontact te steken.

Steek de oplader in een geschikt stopcontact en steek de aansluitingstekker van de oplader in het apparaat.

Schakel het apparaat uit voordat u het oplaadt.

Laad het toestel voor het eerste gebruik minstens 24 uur op. Het LED-lampje van het batterijpakket gaat tijdens het opladen ROOD branden en wordt WIT als het volledig is opgeladen.

Sluit het toestel na gebruik aan de oplader aan om de batterij weer op te laden.

Laad de batterijen niet op bij temperaturen boven 37°C of onder 0°C.

Het is normaal dat de lader warm wordt bij het opladen.

Trek de oplader niet aan de kabel uit het stopcontact.

Haal bij langere afwezigheid (vakanties, etc.) de oplader uit het stopcontact. Laad het product opnieuw op voor gebruik, aangezien batterijen uit zichzelf kunnen ontladen tijdens langere opslagperiodes.

In het geval dat u het apparaat weg doet, dienen de batterijen eerst verwijderd te worden. Bij het verwijderen van de batterij moet het apparaat ontkoppeld zijn van het net. Gooi de batterijen veilig weg. Laat het apparaat doorwerken totdat het stopt en de batterijen volledig ontladen zijn. Gebruikte batterijen moeten naar een recyclagecentrum gebracht worden en niet bij het huishoudafval geworpen worden. Om de batterijen te verwijderen neem contact op met de Hoover klantendienst, of ga verder volgens deze instructies.

BELANGRIJK: Ontlaad de batterijen volledig alvorens deze te verwijderen en ontkoppel de lader.

Laat de reiniger draaien totdat de batterijen helemaal leeg zijn.

Verwijder de jack plug van de oplader uit het toestel.

Druk op de ontgrendelingsknoppen van de accu en schuif deze om te verwijderen.

OPMERKING: Mocht u enige problemen ondervinden met het uit elkaar halen van het voorwerp, of voor meer gedetailleerde informatie over behandeling, herstel en recyclage van dit apparaat, neem contact op met uw lokale gemeente of de afvalreinigingsdienst.

Gebruik enkel toevoegingen, gebruiksartikelen of reserveonderdelen die door Hoover aanbevolen of geleverd zijn.

Statische elektriciteit: Sommige tapijten kunnen een kleine opbouw van statische elektriciteit veroorzaken. Ontladingen van statische elektriciteit zijn onschadelijk voor uw gezondheid.

Gebruik je toestel nooit buiten of op natte oppervlaktes of om vocht op te nemen.

Raap geen harde of scherpe objecten op zoals lucifers, hete assen, sigaretten of andere gelijkaardige items. Spuit niet met ontvlambare vloeistoffen, reinigingsvloeistoffen, aerosols of hun dampen en zuig ze ook niet op.

Loop niet over het stroomsnoer wanneer je het toestel gebruikt of verwijder de stekker niet door aan het stroomsnoer te trekken. Gebruik uw apparaat of oplader niet als deze defect blijkt te zijn.

Hoover service: Om de veilige en doeltreffende werking van het apparaat te verzekeren, adviseren wij om onderhoud of reparaties alleen door een erkende onderhoudsmonteur van Hoover uit te laten voeren.

Gebruik het toestel niet om dieren of mensen te reinigen.

Vervang de batterijen niet met onoplaadbare batterijen.

Het milieu:

Dit toestel is gemerkt volgens de Europese richtlijn 2011/65/EC op afgedankte elektrische en elektronische apparaten (AEEA). Door dit product aan het einde van de levensduur op verantwoorde wijze weg te gooien, voorkomt u mogelijk negatieve gevolgen voor het milieu en de gezondheid, die zouden kunnen ontstaan door een onverantwoorde afvalverwerking van dit product. Het symbool op dit product geeft aan dat het niet mag worden beschouwd als huishoudelijk afval. In plaats daarvan moet u het inleveren bij een inzamelpunt voor het recycleren van elektrische en elektronische apparatuur. U moet het toestel weggooien in overeenstemming met de lokale voorschriften voor afvalverwerking. Voor meer informatie over verwerking, hergebruik en recycleren van dit product, kunt u contact opnemen met uw lokale overheid, uw afvalverwerkingsbedrijf of de winkel waar u het product heeft gekocht.



| | |
|--|---|
| Frequentiebanden | 2400Mhz ~ 2483.5Mhz |
| Maximaal in de frequentieband verstuurd hoogfrequent vermogen | 802.11 b: +20 dBm 802.11 g: +17 dBm 802.11 n: +14 dBm |

CE Hierbij verklaart de Candy Hoover Group Srl dat dit apparaat voldoet aan de basisvoorwaarden van de Europese Richtlijnen 2014/53/EU en 2011/65/EU. Om een kopie van de conformiteitsverklaring te ontvangen, kunt u contact opnemen met de fabrikant op www.candy-group.com

CANDY HOOVER GROUP S.r.l. Via Privata Eden Fumagalli, 20861 Brugherio (MB) Italy

PRODUCTONDERDELEN

- | | |
|--|--|
| A. AAN-UITKNOP | R. Modus Vermogen LED-lampje |
| B. Turboknop | S. Status Batterij LED-lampje |
| C. Silent-knop | T. Laadlampje batterij |
| D. Wifischakelaar | U. Ontgrendelingsknop batterij |
| E. Stofreservoir | V. Batterijpak |
| F. Knop voor het opendoen van flap van de vuilnisemmer | W. Laadingsang batterij |
| G. Vrijgaveknop handgreep | X. Oplader |
| H. Vrijgaveknop opslag | Y. Wandhouder* |
| I. Buis | Z. Schroeven wandhouder* |
| J. Ontgrendelingsknop mondstuk | AA. Geïntegreerde 2in1 Stofborstel en Meubeltool |
| K. Mondstuk | AB. Mini-turbo zuigmond* |
| L. Frontale LED-lichten mondstuk | AC. Zak voor accessoires* |
| M. Vrijgaveflap mondstuk | AD. Achterste zachte strook |
| N. LED-statusbalk Borstel | AE. Intense Vloerroller |
| O. Pre-motor filter | AF. Wisselblad |
| P. Enkele Cyclonische Vortex Finder | AG. Diepe Verzorgingsroller |
| Q. Enkele Cyclone | |

UW STOFZUIGER IN ELKAAR ZETTEN

Haal uw product voorzichtig uit de verpakking.

1. Pak het mondstuk en de verlengbuis op en monteer het ene uiteinde van de buis in de hals van het mondstuk totdat u hoort dat het in de locatie 'klikt'. **[1a]**
2. Pak de handgreep op en monteer deze op de buis totdat u hoort dat deze in de locatie "klikt". **[1b]**
3. Bevestig de muurhouder aan de wand met behulp van de bijgeleverde schroeven en pluggen. **[2]**
4. Verbind de stekker van de oplader met de accu om het apparaat volledig op te laden. Het duurt ongeveer 6 uur.

OPMERKING: Om het mondstuk af te nemen, druk op de ontgrendelingsknop van het mondstuk en haal deze los van de romp.

OPMERKING: Om te heropladen, gebruik alleen de oplader die bij uw reiniger is bijgeleverd. Het is normaal dat de lader warm wordt bij het opladen.

* Alleen bepaalde modellen

UW STOFZUIGER GEBRUIKEN

Er zijn 4 werkmodi die u kunt onderscheiden aan de hand van de kleur van het LED-lampje Power Mode.

- **STANDAARD MODUS:** Wanneer u op de ON-OFF-knop drukt, is de reiniger klaar voor een grondige reiniging met het gemotoriseerd hoofdmondstuk. Het LED-lampje is wit. [3a]
- **Silent Mode:** Druk op de 'silent'-knop om grondig te reinigen met het laagste geluidsniveau voor dit product. Het lampje wordt groen. [3b]
- **TURBO MODE:** Druk op de Turbo-toets voor volledig vermogen voor een zware reinigingstaak. Het LED-lampje is blauw. [3c]
- **AUTO-MODE:** Wanneer u het mondstuk of de buis verwijdert, past het product zich automatisch aan op een lager vermogen voor reiniging boven de vloer, met niet-gemotoriseerd gereedschap. Het LED-lampje is lichtblauw / cyaan.

STATUSBALK BORSTEL

De LED-statusbalk van de borstel op het mondstuk blijft wit branden tijdens alle reinigungsmodi voor de vloer en wordt rood als het veiligheidsbeschermingssysteem geactiveerd is. [14]

Wi-Fi INSTELLING

OPMERKING: Dit product heeft een Wi-Fiverbinding om de interactie met uw reiniger verbeteren. Hiermee kunt u statistieken opvragen over het gebruik van het product, de beste manier om dit te gebruiken en het algehele onderhoud van uw product volgen om de prestaties te garanderen.

Registratie

Schakel de Wifi Aan/Uit door op de wifi-knop te drukken zoals op de tekening. [3d] Het LED-lampje zal blijven knipperen tot de stofzuiger verbonden is met de Hoover Wizard App.

1. U kunt de Hoover Wizard App downloaden door de QR-code op de kaft van deze handleiding te scannen.
2. Installeer het op uw smartphone.
3. Volg de instructies in de mobiele App om uw stofzuiger in te stellen.

Wanneer de app correct is geïnstalleerd, zal uw smartphone automatisch verbinding maken.

WIFI RESETTEN

U kunt uw stofzuiger resetten door de wifi-knop 5 seconden ingedrukt te houden tot het LED-lampje begint te knipperen. U moet de stofzuiger opnieuw met de APP verbinden.

OPMERKING: Eens u het product met de App vergrendeld hebt, kunt u het ontgrendelen met de App of door de "Turbo" en "Silent" knop op het product tegelijkertijd gedurende 3 seconden in te drukken.

KIES DE GESCHIKTE ROLLER VOOR DE BESTE REINIGING

Intense Vloerroller*: Aanbevolen voor gebruik op tapijt, om dieper in het tapijt te gaan en het stof op te zuigen.

Diepe Verzorgingsroller*: aanbevolen voor gebruik op een harde vloer of op een delicate parquet. Dankzij de zachte haren om dit soort vloeren voorzichtig schoon te maken.

BELANGRIJK: De reiniger altijd uitschakelen alvorens de agitator te veranderen en schoon te maken.

OPMERKING: Voor montage van de Roller die u wenst te gebruiken: [17]

1. Maak de agitatorontgrendelklep los. Deze is gepositioneerd op het achterdeel van het mondstuk.
2. Hou de agitatorontgrendelklep vast en trek deze naar beneden om de agitator te verwijderen.
3. Vervang deze met Intense Vloerroller of met de Diepe Verzorgingsroller.
4. Breng de agitatorontgrendelklep terug in positie.

MONTAGE WISSERBLAD

Om de beste prestaties voor spleten en tapijten te verkrijgen, wordt het aanbevolen om de wisserbladen aan de voor- en achterkant op de zoolplaat van de zuigmond te monteren.

Open hiervoor de ontgrendelflap van de agitator en verwijder de zachte strip. Neem dan een wisserblad vast, door een uiteinde ervan in de achterste gleuf te steken tot het volledig erin steekt. Herhaal deze handelingen voor het tweede wisserblad en steek het in de voorste gleuf. Zet de ontgrendelflap van de agitator vast. [16]

* Alleen bepaalde modellen

OPSLAGFUNCTIE

Na gebruik heeft uw reiniger 2 handige opslagmethoden.

1. OPSLAG MET MUURBEVESTIGING

Uw product wordt geleverd met een muurbevestiging voor gemakkelijke opslag. Bevestig de muurbevestiging met behulp van de meegeleverde schroeven aan uw muur. Plaats het apparaat na gebruik gewoon op zijn plaats. [2]

2. COMPACTE OPSLAG/PARKEERMODUS

Om het product op de buis op te bergen, verwijdert u de handgehouden eenheid door op de ontgrendelknop in te drukken. [5] Zorg ervoor dat het onboard 2-in-1-gereedschap (AA) in de oorspronkelijke positie wordt teruggezet, zoals bij levering, en zorg ervoor dat het gereedschap zich volledig op zijn plaats bevindt, met de stofborstel en de plaatsingshaak in naar beneden gericht.

Monteer de plaatsingshaak in de onderste gleuf op de buis en duw de achterste hendel volledig naar binnen in het vergrendelingsmechanisme aan de bovenkant van de buis. [6]

VEILIGHEIDSSYSTEEM

Om te zorgen dat de betrouwbaarheid van het product niet wordt aangetast als het onder zware omstandigheden wordt gebruikt, beschikt het product over twee geïntegreerde veiligheidsbeschermingssystemen, één op de stofzuiger en één op het mondstuk.

OPMERKING: Het beveiligingssysteem werkt in twee omstandigheden:

- als er obstructies zijn in de luchtinlaat of in de buis, wordt de reiniger beschermd en uitgeschakeld en gaat het LED-lampje op de hoofdeenheid rood branden. Als dit gebeurt, controleer dan eenvoudigweg of er obstructies zijn in de buis of in de luchtinlaat van de handgehouden eenheid. Verwijder het en zet het opnieuw AAN.
- als de agitator geblokkeerd is of vergrendeld is, stopt de agitator met draaien zodra het in werking is en worden de witte LED-lampjes op het mondstuk ROOD. [14] Indien dit gebeurt, schakel dan eenvoudigweg uw product uit en verwijder de obstructie in de agitator. Om opnieuw te beginnen reinigen, druk op de on/off-knop en het product zal in normale modus terug beginnen werken.

BATTERIJ

Deze reiniger is uitgerust met een batterijstatus LED-lampje. Wanneer het product is ingeschakeld, gaat het LED-lampje in verschillende kleuren branden om het batterijniveau aan te geven.

NIVEAU BATTERIJ

Wit: 100% - 70% opladen

Blauw: <70% - 40% opladen

Rood: <40% - 10% opladen

Rood knipperend: <10% opladen

Er zijn 2 laadmethodes:

Laad de batterij op wanneer deze op het product is bevestigd.

Steek de stekker van de batterijlader in de batterij. De LED-statusindicator zal tijdens het opladen ROOD oplichten.

Wanneer het opladen voltooid is, gaat de LED-statusindicator 1 minuut WIT branden en schakelt dan uit. [7]

Laad de batterij op wanneer ze uit het product verwijderd is.

Verwijder de batterij uit het product door op de ontgrendelingsknoppen van de batterij te drukken.

Steek de stekker van de batterijlader in de batterij. De LED van het batterijpakkett brandt ROOD tijdens het opladen.

Wanneer het opladen voltooid is, gaat de LED-indicator WIT branden. [8]

OPMERKING: Het is normaal dat de lader warm wordt bij het opladen. Gebruik alleen de oplader die bij uw reiniger is meegeleverd.

ACCESSOIRES

OP DE HANDGEHOUDEN EENHEID GEÏNTEGREERDE KIERENZUIGMOND, OP DE BUIS GEÏNTEGREERDE KIERENZUIGMOND, 2IN1 MEUBELTOOL & STOFBORSTEL EN MINI TURBO MONDSTUK.

Geïntegreerde kierenzuigmondstukken - ideaal voor toegang in nauwe ruimtes.

Stofborstel - ideaal voor het reinigen van oppervlakken zonder ze te beschadigen of te krassen.

Meubelmondstuk - ideaal om oppervlaktes zoals zetels te reinigen.

Alle accessoires kunnen op het hoofdproduct en op de buis gemonteerd worden. [4]

OPMERKING: Het mini-turbo mondstuk is ideaal voor het grondig reinigen van textiele oppervlakken (zoals banken) en het verwijderen van haar van huisdieren. Beweeg de reiniger gelijkmatig heen en weer. Na gebruik kan u best haar en/of draden die aan de borstel zijn gaan zitten, waar nodig met een schaar verwijderen.

ACCESSOIRE ZAK*

Overige accessoires kunnen in de accessoire zak bewaard worden.

* Alleen bepaalde modellen

Wandhouder*

Hang de muurhouder aan de wand, gebruik de twee schroeven die bij het product zijn geleverd om het product op te hangen. [2]

ONDERHOUD STOFZUIGER

Herinnering onderhoud voor-filter Als het voorfilter onderhoud nodig heeft, begint het rode lampje op de robot rood te knipperen.

De stofcontainer leegmaken

1. Druk op de ontgrendelingsknop van het hoofdgedeelte en verwijder de buis. [5]
2. Druk de stofreservoir ledigknop in om de klep van de bak te ontgrendelen en de inhoud te ledigen. [9]
3. Sluit de ontgrendelknop van het stofreservoir, u hoort een klik wanneer deze volledig vergrendeld is.

OPMERKING: Het is aangeraden om het stofreservoir te legen na elk gebruik of als het stof tot de maximale vullijn komt.

Maak het stofreservoir en filter schoon

De LED-indicator op het product knippert ROOD om aan te geven dat het voorfilter moet worden gereinigd.

1. Druk op de vrijgaveknop van de handgehouden eenheid en verwijder de handgehouden eenheid uit de buis. [5]
2. Druk op de ontgrendelingsknop van de batterij en verwijder de batterij. [8]
3. Verwijder de stofbeker door hem te draaien en weg te trekken van het apparaat. [10]
4. Verwijder het inlaatfilter van de motor door de steun van het stofreservoir te trekken. [11a]
5. Pak vervolgens de single cyclone-eenheid door de metalen ring uit het stofreservoir te trekken.
6. Verwijder de vortex finder door deze rechtsom te draaien en uit het cyclone-systeem te trekken. [11b]
7. Was het filter en het enkele cyclone-systeem in lauw water en laat 24 uur drogen. [12,13]
8. Zet opnieuw in elkaar wanneer deze helemaal droog is en bevestig deze weer aan het product.

OPMERKING: Gebruik geen heet water of reinigingsmiddelen bij het reinigen van het voormotorfilter. In het onwaarschijnlijke geval dat het voormotorfilter wordt beschadigd, gebruikt u een origineel Hoover-reserveonderdeel Zorg ervoor dat u het voormotorfilter opnieuw installeert voordat u de stofbeker in de schonere hoofd eenheid monteert, omdat het filterbeschermingsmechanisme geactiveerd wordt .

BELANGRIJK: Houd de filter altijd schoon voor optimale prestaties We raden aan om het filter minstens elke twee weken te wassen.

De draaiborstel veranderen en reinigen.

BELANGRIJK: De reiniger altijd uitschakelen alvorens de agitator te veranderen en schoon te maken.

1. Verwijder het mondstuk uit de buis.
2. Maak de agitatorontgrendelklep los. Deze is gepositioneerd op het achterdeel van het mondstuk. [17]
3. Hou de agitatorontgrendelklep vast en verwijder de agitator.
4. Om de Intense Vloerroller te reinigen, verwijdert u overtollig vuil met een schaar.
5. Breng de agitator terug aan. De agitator past maar in één richting.
6. Sluit de agitatorontgrendelklep om de agitator op zijn plaats vast te maken.

Batterijen vervangen

Deze reiniger is uitgerust met een oplaadbaar lithium-ionbatterijpak dat kan worden vervangen.

WAARSCHUWING: Gebruik alleen erkende vervangingsonderdelen voor uw toestel. Het gebruik van niet door Hoover gevalideerde onderdelen maakt uw garantie ongeldig.

WAARSCHUWING: Het batterijpak niet openen om het zelf proberen te repareren.

1. Druk op de ontgrendelingsknoppen van de batterij en trek de batterij naar buiten. [8]
2. Verwijder het oude batterijpak en vervang deze met het nieuwe batterijpak.
3. Gooi de batterijen veilig weg. Gebruikte batterijen moeten naar een recyclagecentrum gebracht worden en niet bij het huishoudafval geworpen worden.

WAT TE DOEN BIJ PROBLEMEN

Mocht u problemen hebben met uw reiniger, volg dan eerst deze eenvoudige checklist voordat u het Hoover klantenservicecentrum belt:

A. De reiniger wil niet starten

Controleer of de reiniger is opgeladen.

Controleer of de accu op zijn plaats zit.

B. Het apparaat werkt niet meer

Controleer of er een obstructie is in de luchtinlaat of in de buis, maak deze schoon en zorg ervoor dat het product UIT staat.

Zodra dit is gebeurd, drukt u gewoon op de aan / uitknop, het product zal weer gaan werken.

C. Verminderde of helemaal geen zuigkracht.

Maak de stofbeker leeg en was het voorfilter en de scheider.

Verwijder het mondstuk en kijk of er iets de buis blokkeert.

D. Batterijen kunnen niet worden opgeladen

Dit zou het resultaat kunnen zijn van een zeer lange opberg periode (meer dan 6 maanden).

Neem contact op met de Hoover-klantenservice om vervanging van de accu te regelen.

Indien het probleem aanhoudt, neem contact op met het Hoover-klantenservicecentrum.

HOOVER RESERVEONDERDELEN EN VERBRUIKSARTIKELEN

Gebruik uitsluitend originele reserveonderdelen van Hoover. Deze zijn verkrijgbaar bij uw Hoover dealer. Als u onderdelen bestelt, vermeld dan altijd het modelnummer.

JOUW GARANTIE

De garantievoorwaarden voor dit toestel worden bepaald door onze vertegenwoordiger in het land waar het toestel wordt verkocht. Details omtrent deze voorwaarden zijn verkrijgbaar bij de dealer waar u het toestel hebt gekocht. Wanneer u aanspraak wilt maken op deze garantie, dan moet u het verkoop- of ontvangstbewijs voorleggen.

BELANGRIJK: De batterij van deze reiniger heeft een garantie van twee jaar vanaf de aankoopdatum. Na twee jaar moet de klant zelf de kosten van een nieuwe accu betalen.

Wijzigingen zijn zonder voorafgaande kennisgeving mogelijk.

INSTRUKTIONER FOR SIKKER ANVENDELSE

Denne støvsuger må kun anvendes til almindelig husholdningsrengøring, som beskrevet i brugsanvisningen. Du bør sikre dig, at du har forstået indholdet af denne brugervejledning fuldt ud, inden apparatet tages i brug.

Inden du rengør eller foretager nogen som helst vedligeholdelse af apparatet, skal du altid slukke for det og tage stikket ud af stikkontakten.

Dette udstyr kan anvendes af børn, der er 8 år gamle og derover, og af personer med nedsatte fysiske, sensoriske eller mentale evner eller manglende erfaring og viden, hvis de er under opsyn eller vejledning i at bruge udstyret på en sikker måde og forstår de risici, der er involveret. Børn må ikke lege med udstyret. Rengøring og vedligeholdelse må ikke udføres af børn uden en voksen tilstede.

Hvis netledningen er ødelagt, skal du stoppe med at bruge støvsugeren øjeblikkeligt. For at undgå en sikkerhedsrisiko skal en autoriseret Hoover-servicetekniker udskifte strømledningen.

Hold hænder, fødder, løstsiddende tøj og hår væk fra roterende børster.

Brug kun den originale oplader, der blev leveret sammen med apparatet.

Sørg for at stømmen i dit forsyningsnet er den samme som anført på opladeren.

Denne støvsuger er forsynet med en dobbelt isoleret batterioplader, der kun er beregnet til tilslutning til en 220 V stikdåse.

Sæt opladeren i en passende stikkontakt og tilslut opladeren til apparatet.

Sluk for apparatet før opladning.

Støvsugeren skal oplades i mindst 24 timer, før den tages i brug første gang. Batteripakkens LED lys vil lyse RØDT under opladning, og vil skifte til HVID når den er fuldt opladet

Støvsugeren skal tilsluttes opladeren igen efter brug, så batterierne kan blive genopladet.

Oplad aldrig batterierne ved over 37°C eller under 0°C.

Det er normalt for opladeren at blive varm at røre ved under opladning.

Opladeren må ikke trækkes ud af stikdåsen ved at trække i kablet.

Træk opladeren ud af stikket ved længere tids fravær (ferie o.lign.). Genoplad støvsugeren igen før brug, da batterierne kan selvaflade ved længere tids stilstand.

Hvis dit apparat skal kasseres, skal batterierne fjernes inden. Apparatet skal afbrydes fra lysnettet når batteriet fjernes. Bortskaf batterierne på en sikker måde. Tænd apparatet, indtil det stopper, fordi batterierne er helt afladet. Brugte batterier skal afleveres på en genbrugsstation og ikke smides ud sammen med husholdningsaffald. Hvis batterierne skal fjernes, bedes du kontakte Hoover-kundeservice eller handle i henhold til følgende anvisninger.

VIGTIGT: Aflad altid batterierne helt, før de fjernes.

Kør med støvsugeren, indtil batterierne er helt tomme.

Fjern opladeren fra apparatet.

Tryk på batteripakkens udløsningsknapper, og fjern pakken.

BEMÆRK: Hvis du får problemer med at afmontere enheden eller ønsker mere detaljerede oplysninger om behandling, genanvendelse og genbrug af dette produkt, bedes du kontakte kommunen eller skraldeselskabet.

Anvend kun tilbehør, udstyr og reservedele leveret af Hoover.

Statisk elektricitet: Visse tæpper kan forårsage en mindre akkumulering af statisk elektricitet. Udledning af statisk elektricitet er ikke sundhedsfarligt.

Brug ikke støvsugeren udendørs eller på våde overflader eller til opsugning af væsker.

Undlad at opsuge hårde eller skarpe genstande, tændstikker, varm aske, cigaretstumper eller andre lignende genstande. Undlad at sprøjte med eller opsuge brændbare væsker, rensesvæsker, spraydåser eller spray fra disse.

Undlad at køre over strømkablet når du bruger din støvsuger og undlad at trække stikket ud ved at trække i strømkablet, men hold fast i stikket. Hvis apparatet eller opladeren ser ud til at være beskadigede, skal det tages ud af brug.

Hoover service: For at sikre løbende sikker og effektiv drift af denne støvsuger anbefaler vi, at eftersyn eller reparationer udelukkende udføres af en autoriseret Hoover-servicetekniker.

Undlad at bruge apparatet på at rengøre mennesker eller dyr.

Batterierne må ikke udskiftes med ikke-genopladelige batterier.

Miljøet:

Denne håndstøvsuger er mærket i overensstemmelse med det europæiskedirektiv 2011/65/EC om affald af elektrisk og elektronisk udstyr (WEEE). Ved at sikre at dette produkt bortskaffes korrekt er du med til at forhindre eventuelle negative konsekvenser for miljø og sundhed, som ellers kunne forårsages på grund af forkert bortskaffelse af dette produkt. Symbolet på produktet angiver, at produktet ikke må behandles som husholdningsaffald. Det skal i stedet afleveres til en affaldsstation for genbrug af elektrisk og elektronisk udstyr. Bortskaffelse skal ske i overensstemmelse med de lokale miljøregler vedrørende bortskaffelse af affald. Du kan få flere detaljerede oplysninger om behandling, genvinding og genbrug af dette produkt ved at kontakte din lokale kommune, renovationsfirmaet eller den butik, hvor du købte produktet.



| | |
|---|---|
| Frekvensbånd | 2400Mhz ~ 2483.5Mhz |
| Maksimal RF strøm i frekvensbåndet | 802.11 b: +20 dBm 802.11 g: +17 dBm 802.11 n: +14 dBm |



Med dette erklærer Candy Hoover Group Srl, at apparatet er afmærket og i overensstemmelse med de væsentlige krav i direktiverne 2014/53/EU og 2011/65/EU. Kontakt venligst producenten for en kopi af overensstemmelseserklæringen: www.candy-group.com

CANDY HOOVER GROUP S.r.l. Via Privata Eden Fumagalli, 20861 Brugherio (MB) Italy

PRODUKTKOMPONENTER

- | | |
|---|--|
| <ul style="list-style-type: none"> A. Tænd/sluk-knap B. TÆPPE-position C. Knap til lydløs tilstand D. WIFI-kontakt E. Støvbeholder F. Udløsningsknap til støvbeholderklap G. Håndholdt udløserknap H. Opbevaring udløserknap I. Rør J. Knap til afmontering af mundstykke K. Baghjul L. Mundstykke LED frontlys M. Mundstykke klapudløser N. Børstestangens status LED O. Præ-Motor Filter P. Enkel cyklon hvirvelfinder Q. Enkel cyklon | <ul style="list-style-type: none"> R. Strømtilstand LED lys S. Batteristatus LED lys T. Lys for batteriopladning U. Udløsningsknap til batteriet V. Batteripakke W. Indgang til batteriopladning X. Oplader Y. Vægholder* Z. Vægmonteringskruer* AA. Integreret 2-i-1 støvbørste og møbelmundstykke AB. Mini Turbo Mundstykke* AC. Etui til tilbehør* AD. Blød ende bagerst AE. Kraftig gulvvalse AF. Viskerblade AG. Lang beskyttelsesvalse |
|---|--|

SÅDAN KLARGØRES STØVSUGEREN

Fjern forsigtigt dit produkt fra emballagen.

1. Tag mundstykket og forlængerrøret, placer en ende af røret i enden af mundstykket, indtil du hører det 'klikker' på plads. **[1a]**
2. Tag den håndholdte enhed op, og placer den på røret, indtil du hører det 'klikker' på plads. **[1b]**
3. Fastgør vægholderen vha. de medfølgende skruer og skruetrækkere. **[2]**
4. For fuld opladning af apparatet, skal opladerens stikkontakt tilsluttes batteripakken. Det vil tage omkring 6 t.

BEMÆRK: Mundstykket tages af, ved at trykke på udløserknappen, hvorefter mundstykket trækkes af hoveddelen.

BEMÆRK: Brug kun den oplader, der er leveret sammen med støvsugeren, til opladning. Det er normalt for opladeren at blive varm at røre ved under opladning.

* Kun til visse modeller

BRUG AF STØVSUGEREN

Der er 4 betjeningstilstande som kan genkendes i forhold til farven på Strømtilstand LED lyset.

- **STANDARD TILSTAND:** Når du trykker på tænd/sluk knappen, er støvsugeren klar til en omhyggelig rengøring med det motoriserede hovedmundstykke. LED lyset er hvidt. **[3a]**
- **Lydløs tilstand:** tryk på lydløsknappen for en omhyggelig rengøring, ved det lavest mulige støjniveau for dette produkt. Lyset skifter til grønt. **[3b]**
- **TURBO INDSTILLING:** Tryk på turbo-knappen for fuld styrke til svære rengøringsopgaver. LED lyset er blå. **[3c]**
- **AUTO-TILSTAND:** Når du fjerner mundstykket eller røret, vil produktet automatisk tilpasse sig til en lavere effekt for rengøring over gulvet, med ikke-motoriserede rengøringsværktøjer. LED lyset er lyseblå/cyan.

BØRSTESTANG STATUS

Børstestang status LED på mundstykket vil forblive oplyst i hvidt, under alle gulvrengøringstilstande, og vil skifte til rødt hvis sikkerhedsbeskyttelsessystemet aktiveres. **[14]**

Wi-Fi opsætning

BEMÆRK: Dette produkt har wifi-forbindelse for at forbedre interaktionen med din støvsuger. Det giver dig statistikker over produktanvendelse, hvordan man bedst anvender og overvåger den overordnede vedligeholdelse af dit produkt, for at garantere den bedste anvendelse.

Tilgang

Du kan slå Wi-Fi til/fra ved at trykke på WiFi-knappen som vist på diagrammet. **[3d]** LED-lampen blinker kontinuerligt, indtil støvsugeren er tilsluttet Hoover Wizard Appen.

1. Du kan downloade Hoover Wizard Appen ved at scanne QR-koden, som du kan finde på brugervejledningens forside.
2. Installer appen i din smartphone.
3. Følg instruktionerne i appen for at indstille din støvsuger.

Når appen er installeret korrekt, tilsluttes din smartphone automatisk.

NULSTIL WIFI

Du kan nulstille din støvsuger ved at trykke på WiFi-knappen i 5 sekunder, indtil LED-lampen begynder at blinke.

Du skal tilslutte din støvsuger til appen igen.

BEMÆRK: når du låser produktet med appen, kan du låse det op med appen eller ved at trykke på "Turbo" og "Silent" knappen på produktet samtidigt i 3 sekunder.

VÆLG DEN PASSENDE VALSE FOR DEN BEDSTE RENGØRING

Kraftig gulvalse*: den anbefales til brug på tæpper, hvor den går dybt ind og fjerner støvet.

Dyb plejevalse*: anbefales til brug på hårde gulve eller skrøbelige parketgulve. Takket være de bløde børster kan du forsigtigt rense disse type gulve.

VIGTIGT: Støvsugeren skal altid slukkes ved udskiftning og rengøring af børsten.

BEMÆRK: For at samle valsen, skal bruge: **[17]**

1. Frigør rotor-udløsningsklappen. Den er placeret på den tværgående del af mundstykket.
2. Hold i rotor-udløsningsklappen og træk ned for at løsne rotoren.
3. Skift ud med den kraftige gulvalse eller med den lange beskyttelsesvalse.
4. Før rotor-udløsningsklappen tilbage til sin oprindelige position.

SAMLING AF VISKERBLAD

For at opnå den bedste fuge- og tæppefunktion, anbefales det at samle de forreste og bagerste viskerblade på mundstykkets bundplade.

For at gøre dette, skal du åbne rotorens udløsningsknap og fjerne den bløde strimmel. Tag fat i et viskerblad, og sæt den ene ende i den bagerste åbning, før bladet ind indtil det er helt på plads. Gentag denne operation for det andet viskerblad, og før det ind i den forreste åbning. Lås rotorens udløsningsknap fast. **[16]**

* Kun til visse modeller

OPBEVARINGSFUNKTION

Efter anvendelse har din støvsuger 2 bevaringsmetoder.

1. VÆGMONTERET OPBEVARING

Dit produkt leveres med vægmontering for en bekvem og nem opbevaring. Anvend de medfølgende skruer, og fastgør vægmonteringen til din væg. Efter produktanvendelse skal du blot placere din støvsuger på dens plads. [2]

2. KOMPAKT OPBEVARING/PARKERINGSTILSTAND

For at opbevare produktet på røret, skal du fjerne den håndholdte enhed, ved at trykke på den håndholdte udløserknop. [5] Sørg for, at det integrerede 2 i 1 værktøj (**AA**) returneret til dets oprindelige position, så det sikres, at rengøringsværktøjet er placeret komplet med støvbørste og placeringskrog i en nedadgående position.

Monter placeringskrogen i den nederste åbning på røret, og skub håndtaget helt på plads, ind i låsemekanismen, som er placeret øverst på røret. [6]

SIKKERHEDSBESKYTTELSESSYSTEM

For at sikre, at produktets pålidelighed ikke påvirkes hvis det anvendes under vanskelige forhold, leveres produktet med to integrerede sikkerhedsbeskyttelsessystemer, en på støvsugeren og en på mundstykket.

BEMÆRK: Sikkerhedsbeskyttelsessystemet vil reagere under to forhold:

1. hvis der er forhindringer i luftindgangen eller i røret, vil støvsugeren blive beskyttet ved at slukke, og LED lyset på hovedenheden vil skifte til rødt. Hvis det sker, skal du blot kontrollere om der er tilstopninger i røret, eller i luftindgangen på den håndholdte enhed. Fjern det, og tænd for støvsugeren igen.
2. hvis agitatoren er blokeret eller låst, og når den er aktiveret, vil agitatoren stoppe med at dreje rundt, og det HVIDE LED lys på mundstykket, vil skifte til RØDT. [14] Hvis dette sker, skal du bare slukke for dit produkt og fjerne tilstopningerne i agitatoren. For at genoptage rengøringen, skal du trykke på tænd/sluk-knappen, og produktet starter igen i normal tilstand.

BATTERI

Denne støvsuger er udstyret med LED lys for batteristatus. Når produktet er tændt, vil LED lyset lyse i forskellige farver, for at vise batteriniveauet.

BATTERINIVEAU:

Hvid farve: 100% - 70% oplad

Blå farve: <70% - 40% oplad

Rød farve: <40% - 10% oplad

Blinkende rød: <10% oplad

Der er 2 metoder til opladning:

Oplad batteriet mens det sidder på produktet.

Indsæt batteriopladerens jackstik i batteriet. LED statusindikatoren vil lyse RØDT når der oplades. Når opladning er gennemført, vil LED statusindikatoren lyse HVIDT i 1 min., og derefter slukke. [7]

Oplad batteriet når det ikke er på produktet.

Fjern batteriet fra produktet ved at trykke på batteriets udløserknapper.

Indsæt batteriopladerens jackstik i batteriet. Batteripakkens LED vil lyse RØDT under opladning. Når opladning er gennemført, vil LED indikatoren lyse HVIDT. [8]

BEMÆRK: Det er normalt for opladeren at blive varm at røre ved under opladning. Brug kun den oplader, der leveres sammen med støvsugeren.

TILBEHØR

FUGEMUNDSTYKKE INTEGRERET PÅ DEN HÅNDHOLDTE ENHED, FUGEMUNDSTYKKE INTEGRERET PÅ RØRET, 2-I-1 MØBELRENGØRINGSVÆRKTØJ & STØVBØRSTE OG MINI TURBOMUNDSTYKKE.

Integreret fugemundstykke - ideel for adgang til smalle områder.

Børstemundstykke - ideel til rengøring af overflader, uden at beskadige eller ridse dem.

Møbelmundstykke - ideel til rengøring af overflader som en sofa.

Alt tilbehør kan monteres på hovedproduktet og på røret. [4]

BEMÆRK: Mini-turbo mundstykket er ideelt til dybdegående rengøring af tekstiloverflader (dvs. sofaer) og fjernelse af dyrehår. Flyt den frem og tilbage i en støt bevægelse. Hvis det er nødvendigt skal du med en saks fjerne hår/tråde, der har samlet sig på børsten efter brug.

TILBEHØRSTASKE*

Tilbehørsudstyr kan gemmes i tilbehørstasken.

* Kun til visse modeller

Vægholder*

Hæng vægmontering på væggen vha. de to skruer der medfølger til ophængning.. [2]

VEDLIGEHODELSE AF STØVSUGEREN

Vedligeholdelsespåmindelse for forfilter. Hvis forfilteret kræver vedligeholdelse, vil det røde lys på støvsugeren begynde at blinke rødt.

Tømning af støvbeholderen

1. Tryk på udløserknappen på hovedproduktet, og fjern røret. [5]
2. Tryk på knappen til tømning af støvbeholderen for at udløse beholderklappen og tømme indholdet. [9]
3. Luk udløserknappen på støvbeholderklappen, du kan høre et klik når den er helt låst.

BEMÆRK: Det anbefales at tømme støvbeholderen efter hvert brug, eller når støvet når til den maksimale fyldlinje.

Rengør støvbeholderen og filteret

LED indikatoren på produktet vil lyse RØDT for at indikere, at rengøring af motorens forfilter er påkrævet.

1. Tryk på udløserknappen på den håndholdte enhed, og fjern den håndholdte enhed fra røret. [5]
2. Tryk på batteriets udløserknop, og fjern batteriet. [8]
3. Fjern støvholderenheden ved at dreje den, og trække den væk fra enheden. [10]
4. Fjern motorens forfilter ved at fjerne støtten fra beholderenheden. [11a]
5. Fjern det enkelte cyklonsystem ved at fjerne metalringen fra beholderenheden.
6. Fjern hvirvellinderen ved at dreje med uret, og derefter fjerne fra cyklonsystemet. [11b]
7. Vask filteret og det enkelte cyklon system i lunken vand, og lad det tørre i 24 timer. [12,13]
8. Saml filterpakkerne, når de er helt tørre, og monter dem i produktet igen.

BEMÆRK: Anvend ikke varmt vand eller rengøringsmidler, når du rengør motorens forfilter. I tilfælde af, at motorens forfilter blive beskadiget, skal du montere et nyt originalt Hoover filter. Sørg venligst for, at de genmonterer motorens forfilter før du monterer støvbeholderen til støvsugerens hovedenhed, idet filterets beskyttelsesmekanisme vil blive aktiveret.

VIGTIGT: For en optimal ydeevne, skal du altid holde filteret rent. Vi anbefaler, at filteret vaskes minimum hver anden uge.

Sådan skiftes og rengøres rotoren

VIGTIGT: Støvsugeren skal altid slukkes ved udskiftning og rengøring af børsten.

1. Fjern mundstykket fra røret.
2. Frigør rotor-udløsningsklappen. Den er placeret på den tværgående del af mundstykket. [17]
3. Hold agitatorens frigivelseslåge, og fjern agitatoren.
4. For at rengøre den Intense gulvvalse, skal du fjerne overskuden affald med en saks.
5. Genmonter agitatoren. Agitatoren kan kun monteres i en retning.
6. Luk agitatorens frigivelseslåge, for at fastlåse agitatoren i dens position.

Udskiftning af batterierne

Denne støvsuger er udstyret med en genopladelige litium-ion batteripakke, som kan udskiftes.

ADVARSEL: Brug kun godkendte udskiftningsdele for din støvsuger. Dele, som ikke er godkendt af Hoover, er farlige og gør din garanti ugyldig.

ADVARSEL: Forsøg ikke at åbne batteripakken og reparere den selv.

1. Tryk på udløserknapperne til batteriet, og tag batteriet ud. [8]
2. Fjern den gamle batteripakke og udskift med en ny batteripakke.
3. Bortskaf batterierne på en sikker måde. Brugte batterier skal afleveres på en genbrugsstation og ikke smides ud sammen med husholdningsaffald.

FEJLFINDING

Hvis du har problemer med støvsugeren, bedes du følge følgende enkle tjekliste, før du kontakter Hoovers kundeservicecenter:

A. Støvsugeren starter ikke

Kontroller om støvsugeren er opladet.

Kontrollér om batteripakken sidder korrekt.

B. Støvsugeren stopper med at fungere

Kontroller om der er en tilstopning i luftindgangen eller i røret, ryd det, og sørg for, at produktet er slukket. Når det er gjort, skal du blot trykke på tænd/sluk knappen, og produktet vil fungere igen.

C. Tab af sugevne eller ingen sugning

Tøm støvbeholderen og vask pro-filteret og adskilleren.

Fjern mundstykket og kontrollér for eventuel tilstopning af kanalen.

D. Batterier kan ikke oplades

Dette kan opstå som følge af lange opbevaringsperioder (over et halvt år).

Kontakt Hoover kundeservice for at bestille udskiftning af batteriet.

Kontakt Hoover kundeservice, hvis problemet bliver ved.

HOOVER RESERVEDELE OG FORBRUGSSTOFFER

Udskift altid dele med ægte Hoover reservedele. Disse fås fra Hoovers reservedelsforhandler, check www.hoover.dk Når du bestiller dele, skal du altid opgive modelnummer.

DIN GARANTI

Garantibetingelserne for dette apparat er som defineret af vores repræsentant i det land, hvor det er solgt. Oplysninger vedrørende disse betingelser kan indhentes hos den forhandler, apparatet er købt hos. Kvitteringen skal fremvises i forbindelse med ethvert krav under disse garantibetingelser.

VIGTIGT: Garantien til støvsugerens batteri gælder i 2 år fra købsdatoen. Efter 2 år er udgifterne for et nyt batteri kundens ansvar.

Ret til ændringer uden varsel forbeholdes

INSTRUKSJONER FOR SIKKER BRUK

Dette apparatet må kun brukes til husrengjøring, og slik denne bruksanvisningen beskriver. Sørg for at denne veiledningene er forstått fullstendig før du bruker apparatet.

Slå alltid av og koble laderen fra støpselet før enheten rengjøres eller vedlikeholdes.

Apparatet kan brukes av barn fra 8 år, og av personer med nedsatte fysiske, sanselige eller mentale evner, eller manglende erfaring og kunnskap, dersom de er under oppsyn eller har fått opplæring i sikker bruk av apparatet og forstår farene bruk av apparatet kan medføre. Barn skal ikke leke med apparatet. Rengjøring og vedlikehold skal ikke utføres av barn uten oppsyn.

Bruken av apparatet må opphøre umiddelbart dersom strømledningen er skadet. Av sikkerhetshensyn må en autorisert Hoover-tekniker erstatte strømledningen.

Hold hender, føtter, løse klær og hår unna roterende børster.

Bruk den opprinnelige laderen som fulgte med apparatet.

Kontroller at forsyningsspenningen er den samme som er angitt på laderen.

Dette Hoover-apparatet leveres med dobbeltisolert batterilater, som kun kan settes i et 230V (britisk 240V) strømuttak.

Koble laderen til et egnet strømuttak, og koble laderens kontakt til apparatet.

Slå av apparatet før lading.

La rengjøringsapparatet stå på lading i minst 24 timer før første gangs bruk. LED-lampen på batteriene lyser RØDT under lading og skifter til hvitt når ladingen er fullført.

Koble apparatet tilbake i laderen etter bruk, slik at batteriet lades opp.

Lad aldri batteriene i temperaturer over 37 °C eller under 0 °C.

Det er vanlig at laderen er varm ved berøring under lading.

Ikke koble fra laderen ved å trekke i ledningen.

Koble fra laderen dersom du er borte over langre tid (f.eks. ferie). Produktet bør lades opp igjen før bruk, da batteriene kan

selvutløses ved lengre tids lagring.

Hvis apparatet skal avhendes, bør batteriene fjernes først. Apparatet må være frakoblet strømmettet når du fjerner batteriet. Kast batteriene på en trygg måte. La apparatet gå til den stopper fordi batteriene er helt tømt. Brukte batterier bør leveres til en gjenbruksstasjon, og ikke kastes sammen med husholdningsavfall. For å fjerne batteriene, bør du kontakte Hoovers kundesenter, eller fortsette som anvist nedenfor:

VIKTIG: Tøm alltid batteriene helt før fjerning, og kontroller at laderen er koblet fra.

La rengjøringsapparatet gå til batteriene er helt tømt.

Ta laderkontakten ut av apparatet.

Trykk på knappene som frigjør batteripakken og dra den ut.

MERK: Hvis du har vanskeligheter med å demontere enheten eller ønsker mer detaljert informasjon om behandling, gjenvinning og resirkulering av apparatet, ta kontakt med kommunen eller renovasjonsselskapet.

Bruk kun tilbehør, forbruksvarer eller reservedeler som anbefales eller leveres av Hoover.

Statisk elektrisitet: Enkelte tepper kan bygge opp små mengder statisk elektrisitet. Utladning av statisk elektrisitet er ikke helseskadelig.

Du må ikke bruke apparatet utendørs, på våte overflater eller til å støvsuge væske.

Du må ikke støvsuge harde eller skarpe objekter, varm aske, sigarettneiper eller andre liknende gjenstander. Apparatet må ikke utsettes for eller støvsuge opp brennbare væsker, rengjøringsmidler, aerosoler eller damp fra slike væsker.

Unngå å kjøre over ledningen eller trekke ut støpselet under bruk. Ikke fortsatt å bruke rengjøringsapparatet eller laderen hvis det virker som om det er noe feil med dem.

Hoover-service: For å sikre at apparatet fortsatt virker som det skal, og er trygt å bruke, anbefaler vi at all service og alle reparasjoner blir utført av en autorisert Hoover-tekniker.

Du må ikke bruke apparatet til å rengjøre dyr eller mennesker.


Ikke erstatt batteriene med ikke-oppladbare batterier.

Miljøet:

Dette apparatet er merket i henhold til EU-direktiv 2011/65/EC om elektrisk avfall og elektronisk utstyr (WEEE). Ved å sørge for at dette produktet avhendes på riktig måte, bidrar du til å forhindre eventuelle negative konsekvenser for miljø og menneskelig helse, som ellers kunne ha blitt forårsaket av uriktig avfallshåndtering av dette produktet. Symbolet på produktet angir at dette produktet ikke kan behandles som husholdingsavfall. Det må istedet leveres til passende oppsamlingspunkt for resirkulering av elektrisk og elektronisk utstyr. Avhendingen må gjennomføres i samsvar med lokale miljøforskrifter for avfallshåndtering. For mer informasjon om behandling, gjenvinning og resirkulering av dette produktet, ta kontakt med den kommunale etaten for avfallshåndtering eller butikken der du kjøpte produktet.



| | |
|--|---|
| Frekvensbånd | 2400Mhz ~ 2483.5Mhz |
| Maksimal RF-effekt som avgis i frekvensbåndet | 802.11 b: +20 dBm 802.11 g: +17 dBm 802.11 n: +14 dBm |

 Med dette erklærer Candy Hoover Group Srl at dette apparatet samsvarer med vesentlige krav i direktivene 2014/53/EU og 2011/65/EU. Hvis du vil motta en kopi av samsvarserklæringen, kan du kontakte produsenten via www.candy-group.com

CANDY HOOVER GROUP S.r.l. Via Privata Eden Fumagalli, 20861 Brugherio (MB) Italy

PRODUKTKOMPONENTER

- | | |
|--|--|
| <ul style="list-style-type: none"> A. PÅ/AV - Knapp B. Turboknapp C. Lydløs knapp D. WIFI bryter E. Støvbeholder F. Utløserknapp for støvbeholderklaff G. Håndholdt utløserknapp H. Knapp for å frigjøre oppsamlingsbeholderen I. Rør J. Utløserknapp for munnstykket K. Munnstykke L. LED-lamper foran på munnstykket. M. Flik for å frigjøre munnstykket N. Statuslampe for børstestangen O. Pre-motor filter P. Enkelsyklon virvelstrømpdager Q. Enkelsyklon | <ul style="list-style-type: none"> R. LED-lampe kraftmodus S. Batteristatus LED-lampe T. Lampe for batterilading U. Batteriets utløserknapp V. Batteripakke W. Inngang for batterilading X. Lader Y. Veggmontering* Z. Skruer til veggfestet* AA. Integreert to-i-ett børste- og møbelredskap AB. Mini Turbodyse* AC. Pose med tilbehør* AD. Myk kant bak AE. Kraftig gulvvals AF. Viskerblad AG. Dyptgående varsom vals |
|--|--|

FORBEREDING AV STØVSUGEREN

Vær forsiktig når du pakker produktet ut av emballasjen.

1. Ta opp munnstykket og forlengerslangen, og sett den ene enden av slangen inn i munnstykket til du hører det klikke på plass. **[1a]**
2. Ta opp den håndholdte rengjøringsdelen og sett den på slangen så langt inn at den klikker på plass. **[1b]**
3. Fest veggmonteringsbraketten til veggen ved bruk av de medfølgende skruerpluggene. **[2]**
4. For å lade apparatet helt opp, må du koble ladekontakten til batteripakken. Det tar omtrent 6 timer.

MERK: Du fjerner munnstykket ved å trykke på munnstykkets utløserknapp og trekke den unna hoveddelen.

MERK: Bruk kun laderen som ble levert med rengjøringsapparatet. Det er vanlig at laderen er varm ved berøring under lading.

* Bare enkelte modeller

BRUK AV APPARATET

Det er fire driftsmoduser som identifiseres ut fra fargen på LED-lampen som indikerer kraftmodus.

• **STANDARD-MODUS** Når du har trykket på PÅ-AV-knappen er rengjøringsmaskinen klar til utføre grundig rengjøring ved hjelp av det motoriserte munnstykket. LED-lampen er lysert hvitt. **[3a]**

• **Lydløs modus:** trykk på den stille effektknappen for å rengjøre grundig med redusert støynivå. Lampen skifter til grønt. **[3b]**

• **TURBO-MODUS:** Trykk på Turboknappen for full styrke til en kraftig vask. LED-lampen er blå. **[3c]**

• **AUTO-MODUS:** Når du fjerner slangen eller munnstykket vil produktet automatisk redusere kraften til rengjøring over gulvnivå, med ikke-motoriserte redskaper. LED-lampen er lyseblå/grønnblå.

STATUS BØRSTESTANG

Børstestangens LED-statusindikator på munnstykket vil lyse hvitt i alle gulvrengjøringsmodusene, og skifte til rødt hvis det beskyttende sikkerhetssystemet aktiveres. **[14]**

Wi-Fi SETUP

MERK: Dette produktet gjør wifi tilkobling mulig for å øke interaksjonen med støvsugeren din. Det gir deg muligheten til å få statistikk på bruken av produktet, og hvordan best benytte produktet og følge opp vedlikeholdet for å sikre best mulig ytelse.

Registrering

Du kan skru WiFi Av/På ved å trykke på WiFi knappen, som vist på diagrammet. **[3d]** LED-lyset kommer til å blinke kontinuerlig helt til støvsugeren kobles til Hoover Wizard Appen.

1. Du kan laste ned Hoover Wizard Appen ved å skanne QR koden som finnes på fremsiden av denne håndboken.
2. Installer den på din smarttelefon.
3. Følg instruksjonene i Appen for å installere støvsugeren din.

Når appen er riktig installert, vil smarttelefonen din koble seg til den automatisk.

TILBAKESTILL WIFI

Du kan tilbakestille støvsugeren din ved å trykke på WiFi knappen i 5 sek helt til LED-lyset begynner å blinke.

Du må koble støvsugeren til Appen på nytt.

MERK: når du låser produktet via Appen, kan du både låse og låse det opp med Appen, ved å trykke på "Turbo" og "Silent" knappen på produktet i 3 sekunder samtidig.

VELG EGNET VALS FOR BEST RENGJØRING

Kraftig gulvvals*: det anbefales å bruke den på teppet ettersom den kan gå dypt inn i teppet og fjerne støv.

Rulle for dyprengjøring*: det anbefales å bruke den på hardt gulv eller delikat parket. Takket være myke buster kan du rengjøre disse type gulvene på en varsom måte.

VIKTIG: Slå alltid rengjøringsapparatet av før du skifter ut og rengjør agitatoren.

MERK: For å montere valsen bør du bruke: **[17]**

1. Løsne utløserklaffen for agitatoren. Den er plassert på den laterale delen av munnstykket.
2. Hold utløserklaffen for agitatoren og dra den ned for å fjerne agitatoren.
3. Skift ut med kraftig gulvvals eller med dyptgående varsom vals.
4. Sett utløserklaffen for agitatoren tilbake på plass.

MONTERING AV VISKERBLAD

For å oppnå den beste ytelsen for sprekker og tepper, anbefales det å montere de fremre og bakre viskerbladene på sålen til munnstykket.

For å gjøre dette, åpne agitatorens utløserpak og dra ut det myke båndet. Ta deretter tak i ett viskerblad, ved å føre én ende inn i den bakre åpningen og la den gli helt inn. Gjenta disse operasjonene for det andre viskerbladet og la den gli inn den fremre åpningen. Lås agitatorens utløserpak. **[16]**

* Bare enkelte modeller

OPPBEVARINGSFUNKSJON

Etter bruk kan rengjøringsmaskinen oppbevares på to praktiske måter.

1. VEGGMONTERT OPPBEVARING

Produktet kommer med et veggfeste for praktisk og enkel oppbevaring. Bruk de medfølgende skruene for å montere veggfestet der du ønsker det. Etter bruk kan rengjøringsmaskinen enkelt settes tilbake på plass. [2]

2. KOMPAKT OPPBEVARING/PARKERINGSMODUS

For å oppbevare produktet på slangen, må den håndholdte delen fjernes ved å trykke på knappen for å frigjøre den håndholdte komponenten. [5]

Påse at to-i-ett-redskapet (AA) er satt tilbake til sin opprinnelige plass på produktet for å sikre at redskapet er samlet og at støvbørsten og plasseringskroken peker nedover.

Sett plasseringskroken inn i det nederste sporet på slangen, og trykk håndtaket helt inn i låsemekanismen på toppen av slangen. [6]

BESKYTTELSESSYSTEM FOR SIKKERHET

For å sikre at produktets driftssikkerhet ikke blir påvirket hvis brukt under krevende forhold, er produktet utrustet med to beskyttende sikkerhetssystemer, et på rengjøringsmaskinen og et på munnstykket.

MERK: Det beskyttende sikkerhetssystemet vil gripe inn ved to situasjoner:

1. Hvis det oppstår blokkeringer ved luftinntaket eller i slangen vil rengjøringsmaskinen skru seg AV som en beskyttelsesmekanisme, og LED-lampen på hoveddelen vil lyse rødt. Hvis dette skjer, kontrollerer rett og slett om det er blokkeringer i slangen eller ved luftinntaket til den håndholdte delen. Fjern blokkeringen og skru PÅ igjen.
2. Hvis agitatoren er blokkert eller låst, vil agitatoren stoppe å rotere og de HVITE LED-lampene på munnstykket vil skifte til RØDT. [14] Hvis dette skulle skje er det bare å slå av produktet og fjerne det som blokkerer agitatoren. For å gjenoppta rengjøringen trykker man på on/off-knappen og produktet vil gjenstarte i normal modus.

BATTERI

Rengjøringsmaskinen er utstyrt med en LED-lampe som indikerer batteristatus. Når produktet er PÅ, er LED-lampen tent og lyser i forskjellige farger som indikerer batterinivå.

BATTERINIVÅ:

Hvit farge: 100% - 70% lade

Blå farge: <70% - 40% lade

Rød farge: <40% - 10% lade

Rød blinking: <10% lade

Lading kan utføres på to metoder:

Batteriet kan lades mens det er montert på produktet.

Sett batteriladeren på batteriet: LED-lampen som indikerer batteristatus lyser RØDT under lading. Når oppladingen er fullført vil LED-statusindikatoren lyse HVITT i ett minutt, og deretter skru seg av. [7]

Opplading av batteriet når det er fjernet fra produktet.

Fjerne batteriet fra produktet ved å trykke på knappene for frigjøring av batteriet.

Sett batteriladeren på batteriet: LED-lampen på batteriet vil lyse RØDT under lading. Når oppladingen er fullført vil LED-indikatoren lyse HVITT. [8]

MERK: Det er vanlig at laderen er varm ved berøring under lading. Bruk kun laderen som leveres med rengjøringsapparatet.

TILBEHØR

SPREKK-REDSKAP INTEGRERT I DEN HÅNDHOLDTE ENHETEN, SPREKK-REDSKAP INTEGRERT PÅ SLANGEN, TO-I-ETT-MØBEL- OG STØVBØRSTE OG MINI-TURBOMUNNSTYKKE.

Integrerte redskaper for å komme til i sprekker - ideelle for å komme til på trange steder.

støvbørste - ideelle for å rengjøre overflater uten å skade eller ripe.

møbelmunnstykke, - ideelle for rengjøre overflater som sofaer.

Allt tilbehør kan plasseres på hovedproduktet og på slangen. [4]

MERK: Mini-turbodysen passer perfekt for rengjøring av tekstiloverflater (f.eks. sofaer) og fjerning av dyrehår. Skyv apparatet jevnt forover og bakover. Etter bruk må du fjerne hår/fråder som har samlet seg i børsten, om nødvendig ved hjelp av saks.

TILBEHØRPOSE*

Annet tilbehør kan lagres i tilbehørposen.

* Bare enkelte modeller

Veggmontering*

Montere veggfestet på veggen ved hjelp av de to skruene som følger med for å kunne henge opp produktet. [2]

VEDLIKEHOLD AV STØVSUGEREN

Påminnelse om vedlikehold av forfilteret. Hvis forfilteret krever vedlikehold vil det røde lyset på rengjøringsmaskinen begynne å blinke rødt.

Tømme støvbeholderen

1. Trykk på frigjøringsknappen på hoveddelen for å fjerne slangen. [5]
2. Skyv ned tømmeknappen for støvsamleren for å løsne støvbeholderklaffen og tømme ut innholdet. [9]
3. Lukk klaffen til støvbeholderens frigjøringsknapp. Du vil høre at den gir fra seg et klikk når den er helt låst.

MERK: Det anbefales at du tømmer støvbeholderen etter hver bruk, eller når støvet når opp til makslinjen.

Rengjør støvbeholderen og filteret

LED-indikatoren på produktet vil blinke RØDT for å indikere at det er nødvendig å rengjøre formotor-filteret.

1. Trykk på frigjøringsknappen for den håndholdte enheten, og fjern den fra slangen. [5]
2. Trykk på frigjøringsknappen for batteriet og fjern det. [8]
3. Fjern støvbeholderen ved å vri på den og trekke den bort fra enheten. [10]
4. Fjern formotor-filteret ved å trekke støtten bort fra beholderen. [11a]
5. Fjern det enkle syklonsystemet ved å trekke metallringen bort fra beholderen.
6. Fjern virvelvind-søkeren ved å rotere den i retning med klokken og trekk den bort fra syklonsystemet. [11b]
7. Vask filteret og enkelt syklonsystemet i lunkent vann og legg til tork i et døgn. [12,13]
8. Sett sammen igjen etter at det har tørket elt, og sett det tilbake på produktet.

MERK: Ikke bruk varmt vann eller såpe for å gjøre rent filteret formotor-filteret. Hvis premotor-filteret, mot formodning, skulle bli ødelagt, må det skiftes ut med en original Hoover-reservedel. Vennligst påse at du remonterer formotor-filteret før du setter støvbeholderen tilbake på rengjøringsmaskinens hoveddel, siden dette aktiverer mekanismen som beskytter filteret.

VIKTIG: For optimal ytelse må filtrene alltid holdes rene. Vi anbefaler at filteret bør vaskes minst hver annen uke.

Bytte og rengjøre agitatorene

VIKTIG: Slå alltid rengjøringsapparatet av før du skifter ut og rengjør agitatorene.

1. Fjern munnstykket fra slangen.
2. Løsne utløserklaffen for agitatorene. Den er plassert på den laterale delen av munnstykket. [17]
3. Hold løsneflinken ved agitatorene og fjern agitatorene.
4. For å rengjøre Intense Floor Rolleren, må du fjerne rester som er til overs ved å bruke en saks.
5. Sett agitatorene på plass igjen. Agitatorene passer kun i en retning.
6. Lukk løsneflinken ved agitatorene for å feste den på plass.

Bytte batteriene

Denne rengjøringsmaskinen er utstyrt med oppladbare litiumbatterier som kan skiftes ut.

ADVARSEL: Bruk bare godkjente reservedeler til rengjøringsapparatet. Å bruke deler som ikke er godkjent av Hoover er farlig og vil ugyldiggjøre garantien.

ADVARSEL: Ikke prøv å åpne batteripakken og reparere den selv.

1. Trykk på batteriets frigjøringsknapp og trekk ut batteriet. [8]
2. Fjern den gamle batteripakken og erstatt den med den nye batteripakken.
3. Kast batteriene på en trygg måte. Brukte batterier bør leveres til en gjenbruksstasjon, og ikke kastes sammen med husholdningsavfall.

FEILSØKING

Dersom du får problemer med rengjøringsapparatet, kan du følge denne enkle kontrollisten før du tar kontakt med Hoover kundeservice:

A. Støvsugeren slås ikke på

Kontroller at rengjøringsapparatet er ladet opp.

Sjekk om batteripakken er montert på plass.

B. Rengjøringsapparatet har sluttet å virke.

Kontroller om det er blokkeringer i luftinntaket eller i slangen, fjern dem og kontroller at produktet er skrudd AV. Når dette er gjort, er det bare å trykke på på/avknappen for å skru på produktet igjen.

C. Tap av sugeseffekt eller ingen sugeseffekt.

Tøm støvbeholderen og vask forfilteret og separatorene.

Ta av dysen og se etter blokkasje i røret.

D. Batteriene kan ikke lades

Dette kan skyldes lagring over lenger tid (mer enn et halvt år).

Ta kontakt med Hoover kundeservice for å avtale utskifting av batteri.

Ta kontakt med Hoover kundeservice dersom problemet vedvarer.

ORIGINALDELER FRA HOOVER

Bruk alltid originale deler fra Hoover. Disse er tilgjengelige fra din lokale Hoover-forhandler eller direkte fra Hoover. Når du bestiller deler, må du alltid oppgi modellnummeret ditt.

DIN GARANTI

Garantibetingelsene for dette apparatet er som definert av vår representant i det landet der det ble solgt. Detaljer vedrørende disse betingelsene fås fra forhandleren der apparatet ble kjøpt. Salgskvitteringen må fremvises ved fremsetting av krav under betingelsene i denne garantien..

VIKTIG: Batteriet som medfølger dette rengjøringsapparatet har 2 års garanti fra kjøpsdato. Etter 2 år må kunden selv stå for kostnaden av et nytt batteri.

Kan endres uten forvarsel.

INSTRUKTIONER FÖR SÄKER ANVÄNDNING

Som beskrivs i denna bruksanvisning, får denna apparat endast användas vid städning av hemmet. Se till att du förstår anvisningarna helt innan du börjar använda maskinen.

Stäng alltid av och ta bort laddaren från uttaget innan du rengör apparaten eller utför något underhåll.

Den här apparaten kan användas av barn från 8 års ålder och personer med en nedsatt fysisk, sensorisk eller mental förmåga och som inte har den erfarenhet och kunskaper som behövs, förutsatt att de övervakas eller har fått instruktioner om hur apparaten används på ett säkert vis och förstår riskerna som är involverade. Barn får inte leka med apparaten. Rengöring och underhåll som användaren ska utföra, får inte göras av barn utan överinseende.

Om nätsladden är skadad, sluta då omedelbart att använda produkten. För att undvika säkerhetsrisker så måste en behörig Hoover-servicetekniker byta nätsladden.

Håll händer, fötter, lösa klädesplagg och hår borta från roterande borstar.

Använd endast den ursprungliga laddaren som följer med apparaten.

Kontrollera att din nätspänning är samma som är angivet på laddaren.

Denna Hoover ångrengörare levereras med en dubbelisolerad batteriladdare som endast är lämplig i ett 230V (Storbritannien 240V) uttag.

Koppla in laddaren i lämpligt eluttag och anslut laddaren till apparaten.

Stäng av apparaten innan laddning.

Ladda apparaten i minst 24 timmar innan du använder den för första gången. Batterilampan kommer att lysa röd under laddning och vit när laddningen är slutförd.

Anslut apparaten till laddaren igen efter användning för att ladda batteriet.

Ladda aldrig batterier i temperaturer över 37°C eller under 0°C.

Det är normalt att laddaren blir varm när laddning pågår.

Dra inte ut kontakten till laddaren genom att dra i kabeln.

Koppla ur laddaren vid långvarig frånvaro (semester, etc.). Ladda produkten igen innan användning då batterierna kan själv laddad ur under förlängda förvaring.

Om maskinen ska kasseras måste batterierna först tas bort. Maskinen måste kopplas bort från elnätet vid borttagning av batterierna. Kassera batterierna på ett säkert sätt. Kör apparaten tills den stannar på grund av att batterierna är helt urladdade. Användna batterier bör tas till en återvinningsstation och inte disponeras med hushållssoporna. För att ta bort batterierna, kontakta kundtjänsten på Hoover eller fortsätt enligt följande instruktioner.

VIKTIGT: Ladda alltid ur batterier helt innan de tas ut.

Kör ångrengöraren till det attbatterierna är helt tomma.

Dra ur laddarens stickpropp ur apparaten.

Tryck på batteriets frikopplingsknapp och skjut fram för att ta bort det.

OBS! Om du upplever några svårigheter med att montera ner enheten eller för mer information om hantering eller återvinning av den här maskinen, var god och kontakta dina lokala myndigheter eller din återvinningsstation.

Använd endast tillbehör, förbrukningsvaror och reservdelar som rekommenderas eller levereras av Hoover.

Statiskelektricitet: Vissa mattor kan orsaka en liten uppbyggnad av statisk elektricitet. Elektrostatiska urladdningar är inte hälsofarliga.

Använd inte apparaten ut ur dörrar eller på något vått underlag eller för våtupptagning.

Plocka inte upp hårda eller vassa föremål, tändstickor, het aska, fimpar eller andra liknande föremål. Plocka inte upp eller spraya med brandfarliga vätskor, rengöringsmedel, aerosoler eller ångor.

Kör inte över sladden när du använder apparaten eller dra ut kontakten genom att dra i sladden. Fortsätt inte att använda apparaten eller laddaren om den verkar vara defekt.

Hoover service: För att se till att maskinen fortsätter att vara effektiv fungerar som den ska rekommenderar vi att service och reparationer endast utförs av behöriga servicetekniker från Hoover.

Använd inte apparaten för att rengöra djur eller människor.

Ersätt inte batterierna med icke-uppladdningsbara batterier.

Miljön:

Denna produkt är märkt enligt det europeiska direktivet 2011/65/EC gällande elektroniskt avfall och elektronisk utrustning (WEEE). Genom att se till att produkten avfallshandteras på rätt sätt kan du hjälpa till att hindra möjliga negativa konsekvenser för miljö och hälsa. Symbolen på produkten visar att den inte får hanteras som hushållsavfall. Den ska i stället lämnas in på en samlingsplats för återvinning av elektrisk och elektronisk utrustning. Avfallshandlingen ska utföras enligt de lokala miljöbestämmelserna. Mer utförlig information om hantering och återvinning av produkten kan du få från kommunen, återvinningsanläggningen eller den butik där du köpte produkten.



| | |
|--|---|
| Frekvensband | 2400Mhz ~ 2483.5Mhz |
| Maximal RF-effekt överförd i frekvensbanden | 802.11 b: +20 dBm 802.11 g: +17 dBm 802.11 n: +14 dBm |

CE och med detta deklarerar Candy Hoover Group Srl att denna märkta apparat överensstämmer med de grundläggande kraven hos direktiv 2014/53/EU och 2011/65/EU. För att få en kopia på försäkringen om överensstämmelse, vänligen kontakta tillverkaren på: www.candy-group.com

CANDY HOOVER GROUP S.r.l. Via Privata Eden Fumagalli, 20861 Brugherio (MB) Italy

PRODUKTKOMPONENTER

- | | |
|--|---|
| <ul style="list-style-type: none"> A. PÅ/AV-knapp B. Turbo-knappen C. Tyst knapp D. WIFI-brytare E. Dammbehållare F. Frigöringsknapp för dammbehållarklaffen G. Handhållen frigöringsknapp H. Frigöringsknapp förvaring I. Slang J. Knapp för frigörande av munstycke K. Munstycke L. LED-lampor framsida munstycke M. Frigöringsknapp munstycke N. LED-lampa borststatus O. Förmotorfilter P. Enkel cyklon Vortex Finder Q. Enkel cyklon | <ul style="list-style-type: none"> R. Strömlampa S. LED-lampa batteristatus T. Batteriladdningslampa U. Batteriets frigöringsknapp V. Batteripaket W. Batteriladdningsuttag X. Laddare Y. Väggfäste* Z. Vägghölmonteringsskruvar* AA. 2-i-1 dammborste och möbelverktyg AB. Miniturbomunstycke* AC. Tillbehörspåse* AD. Bakre mjuk remsa AE. Kraftig golvrulle AF. Torkarblad AG. Deep Care-rulle |
|--|---|

FÖRBEREDA DIN DAMMSUGARE

Avlägsna produkten försiktigt från förpackningen.

1. Ta upp munstycket och förlängningsröret och för in den ena änden av röret i munstyckshalsen tills du hör ett klick. **[1a]**
2. Ta upp den handhållna enheten och montera den på röret tills du hör ett klick. **[1b]**
3. Fäst väggfästet i väggen med skruvar och skruvpluggar som medföljer. **[2]**
4. Anslut laddarens stickpropp till batterisatsen för att ladda upp apparaten. Det tar cirka 6 tim.

OBS! För att ta bort munstycket, tryck på utlösningsknappen till munstycket och dra bort från dammsugaren.

OBS! Använd endast laddare som medföljde ångrengöraren. Det är normalt att laddaren blir varm när laddning pågår.

* Endast vissa modeller

ANVÄNDA PRODUKTEN

Det finns fyra arbetslägen som visas genom strömlägets fyra olika LED-lampor.

- **STANDARDLÄGE:** När du trycker på På/av-knappen är dammsugaren redo för noggrann dammsugning med det motoriserade huvudmunstycket. LED-lampan lyser vitt. **[3a]**
- **Tyst läge:** tryck på tystnadsknappen för noggrann rengöring med denna produkts lägsta ljudnivå. Lampan blir grön. **[3b]**
- **TURBOLÄGE:** Tryck på turboknappen för att full effekt vid tuffa rengöringsuppgifter. LED-lampan är lyser blått. **[3c]**
- **AUTOLÄGE:** När du avlägsnar munstycket från röret slår produkten automatiskt om till lägre effekt för dammsugning ovanför golvet, med icke-motoriserade verktyg. LED-lampan lyser blått/cyan.

BORSTHÅLLARSTATUS

Munstyckets LED-lampa för borsthållarstatus lyser vitt vid alla golvdammsugningslägen och kommer att lysa rött om säkerhetssystemet aktiveras. **[14]**

Wi-Fi-INSTÄLLNING

OBS! Denna produkt kan kopplas till wifi för att förbättra interaktionen med din dammsugare. Detta gör det möjligt för dig att få statistik över produktanvändning, hur du bäst använder och sköter underhållet av din produkt för att garantera bästa möjliga utförande.

Registrering

Du kan ändra WiFi On/Off (På/Av) genom att trycka på WiFi-knappen som visas i diagrammet. **[3d]** LED-lampan kommer att blinka kontinuerligt tills dammsugaren är ansluten till Hoover Wizard Appen.

1. Du kan ladda ner Hoover Wizard Appen genom att skanna QR-koden på framsidan av denna manual.
2. Installera den på din smarttelefon.
3. Följ instruktionerna i appen för att installera din dammsugare.

Då den är korrekt installerad kommer din smarttelefon att anslutas automatiskt.

ÅTERSTÄLLA WIFI

Dammsugaren kan återställas genom att Wifi-knappen trycks ner i 5 sek. tills LED-lampan börjar blinka.

Du måste återansluta dammsugaren till APPEN igen.

OBS! Då produkten har låsts i Appen kan du låsa upp den igen i Appen eller genom att trycka på "Turbo"- och "Silent"-knapparna på produkten. Tryck ner knapparna samtidigt i 3 sekunder.

VÄLJ LÄMPLIG RULLE FÖR BÄSTA RENGÖRING

Kraftig golvrulle*: vi rekommenderar att den används på mattan eftersom den kan gå djupt in i mattan för att ta bort damm.

Deep Care-rulle*: vi rekommenderar att den används på hårda golv eller känslig parkett. Tack vare mjuka borst kan du rengöra den typen av golv på ett skonsamt sätt.

VIKTIGT: Stäng alltid av dammsugaren innan du byter ut och rengör rullborsten.

OBS! Montera rullen som du vill använda: **[17]**

1. Ta loss omrörarens frigöringsflik Den är placerad på munstyckets sida.
2. Håll i omrörarens frigöringsflik och dra nedåt för att ta bort omröraren.
3. Byt ut mot kraftiggolvrulle eller Deep Care-rulle.
4. Återmontera omrörarens frigöringsflik.

MONTERING TORKARBLAD

För att uppnå bästa prestanda för mantel och mattor rekommenderas att främre- och bakre torkarbladen monteras på munstyckets sula.

För att göra detta, öppna torkarramens frikopplingsflik och ta bort den mjuka remsan. Montera sedan ett torkarblad genom att sätta in ena änden i bakre spåret och skjut in tills det är helt inne. Upprep dessa moment för det andra torkarbladet och skjut in det i det främre spåret. Läs torkarramens frikopplingsflik. **[16]**

* Endast vissa modeller

FÖRVARINGSFUNKTION

Efter användning kan din dammsugare förvaras på två smidiga sätt.

1. FÖRVARING GENOM VÄGGMONTERING

Din produkt är utrustad med ett väggfäste för smidig förvaring. Fäst väggfästet på väggen med hjälp av de medföljande skruvarna. Placera din dammsugare på fästet efter användning. [2]

2. KOMPAKT FÖRVARING/PARKERINGSLÄGE

Avlägsna den handhållna enheten genom att trycka på den handhållna enhetens frigöringsknapp, för förvaring av produkten på röret. [5]

Se till att det medföljande 2-i-1-verktyget (AA) placeras i sitt ursprungliga läge med dammborsten och lokaliseringsskroken i nedåtgående läge.

Montera lokaliseringsskroken i den lägre springan på röret och tryck det bakre handtaget ända in i låsmekanismen som är placerad längst upp på röret. [6]

SÄKERHETSSKYDDSSYSTEM

För att se till att produkttillförlitligheten inte påverkas om produkten används under mödosamma förhållanden, har produkten två integrerade skyddssystem, ett på dammsugaren och ett på munstycket.

OBS! Skyddssystemet aktiveras under två förhållanden:

1. Om det finns hinder i luftinloppet eller i röret, kommer dammsugaren att skyddas och stängas av och LED-lampan på huvudenheten lyser rött. Om detta händer kontrollerar du det finns några hinder i röret eller i luftinloppet på den handhållna enheten. Avlägsna dessa och sätt igång dammsugaren igen.

2. om agitatorn är blockerad eller låst, kommer den vid aktivering att sluta rotera och de VITA LED-lamporna på munstycket börjar lysa rött. [14] Om detta händer måste du stänga av din produkt och ta bort hindret i agitatorn. Tryck på på-/av-knappen för att återuppta rengöringen och produkten kommer att starta om i normalt läge.

BATTERI

Dammsugaren är utrustad med en LED-lampa som indikerar batteristatus. När produkten är igång lyser LED-lampan i olika färger för att visa batterinivå.

BATTERINIVÅ:

Vit färg: 100% - 70% ladda

Blå färg: <70% - 40% ladda

Röd färg: <40% - 10% ladda

Röd blinkande: <10% ladda

Det finns två laddningsmetoder:

Ladda batteriet när det monteras i produkten.

Anslut batteriladdarens stickpropp till batteriet. LED-statusindikatorn kommer att lysa RÖTT när batteriet laddas. När laddningen är slutförd lyser LED-lampan VITT i en minut för att sedan stängas av. [7]

Ladda batteriet när det inte sitter i produkten.

Avlägsna batteriet från produkten genom att trycka på batteriets frigöringsknapp.

Anslut batteriladdarens stickpropp till batteriet. Batteripaketets LED-lampa lyser RÖTT under laddning. När laddningen är slutförd kommer LED-indikatorn att lysa VITT. [8]

OBS! Det är normalt att laddaren blir varm när laddning pågår. Använd endast laddare som medföljde ångrengöraren.

TILLBEHÖR

INBYGGT FOGMUNSTYCKE I DEN HANDHÅLLNA ENHETEN, INBYGGT FOGMUNSTYCKE I RÖRET, 2-I-1 DAMM- OCH MÖBELBORSTE OCH MINI TURBOMUNSTYCKE.

Integrerat fogmunstycke - idealiskt för trånga utrymmen.

Dammborste - idealiskt för dammsugning utan att repa eller skada ytorna.

Möbelmunstycke - idealiskt för dammsugning av soffor och liknande.

Samtliga tillbehör kan monteras på produktstommen och på röret. [4]

OBS! Det lilla turbomunstycket är perfekt för djuprengöring av ytor i textil (dvs. soffor) och för borttagning av päls. Rör det stadigt bakåt och framåt. Efter användning bör du använda en sax för att avlägsna hår/trådar som samlats på borsten om så krävs.

TILLBEHÖRSVÄSKA*

Ytterligare tillbehör kan förvaras i tillbehörsväskan.

* Endast vissa modeller

Väggfäste*

Montera väggfästet på väggen med hjälp av de två skruvarna som medföljer produkten för upphängning. [2]

UNDERHÅLL AV DAMMSUGAREN

Underhållspåminnelse för filter. Om förfiltret är i behov av underhåll kommer den röda lampan på dammsugaren att blinka rött.

Tömma dammbehållaren

1. Tryck på huvudkroppens frigöringsknapp och avlägsna röret. [5]
2. Tryck ner knappen för tömning av dammupsamlaren för att frigöra klaffen och tömma innehållet. [9]
3. Stäng dammbehållarklaffen, ett klick hörs när den är ordentligt stängd.

OBS! Du rekommenderas att tömma dammupsamlaren efter varje användning eller när dammet når upp till max-linjen.

Rengör dammbehållare och filter

LED-indikatorn på produkten blinkar RÖTT för att indikera att dammsugarens förmotorfilter krävs.

1. Tryck på den handhållna enhetens frigöringsknapp för att avlägsna den handhållna enheten från röret. [5]
2. Tryck på batteriets frigöringsknapp för att avlägsna batteriet. [8]
3. Avlägsna dammbehållarenheten genom att vrida den och dra ut den från enheten. [10]
4. Avlägsna förmotorfiltret genom att dra loss stödet från behållarenheten. [11a]
5. Avlägsna enkelcyklonsystemet genom att dra loss metallringen från behållarenheten.
6. Avlägsna vortex finder genom att rotera det medsols och dra loss det från cyklonsystemet. [11b]
7. Rengör filtret och enkelcyklonsystemet i ljummet vatten och låt torka i 24 timmar. [12,13]
8. Montera ihop när det är helt torrt och sätt tillbaka det i produkten.

OBS! Använd inte varmt vatten eller rengöringsprodukter vid rengöring av förmotorfiltret. Om förmotorfiltret mot förmodan skulle skadas, ska det ersättas med ett originalfilter från Hoover. Se till att förmotorfiltret är monterat innan du monterar dammbehållaren i dammsugarens huvudkropp för aktivering av filterskyddsmekanismen.

VIKTIGT: Se till att alltid hålla filtret rent för optimalt resultat. Vi rekommenderar att filtret rengörs åtminstone varannan vecka.

Byta ut och rengöra omröraren

VIKTIGT: Stäng alltid av dammsugaren innan du byter ut och rengör rullborsten.

1. Avlägsna munstycket från röret.
2. Ta loss omrörarens frigöringsflik Den är placerad på munstyckets sida. [17]
3. Håll agitatorns lossningsflik och avlägsna agitatorn.
4. Rengör Kraftig golvrulle genom att ta bort överflödigt skräp med hjälp av en sax.
5. Återmontera agitatorn. Agitatorn passar endast i en riktning.
6. Stäng agitatorns lossningsflik för att säkra agitatorn i sitt läge.

Byta batterier

Denna dammsugare är utrustad med ett laddningsbart litiumjonbatteri som är utbytbar.

WARNING: Använd endast godkända reservdelar för din dammsugare. Användning av delar som inte är godkända av Hoover är farligt och kan ogiltigförklara din garanti.

WARNING: Försök inte att öppna batteripaketet och reparera det själv.

1. Tryck på batteriets frigöringsknapp och dra ut batteriet. [8]
2. Ta bort det gamla batteripaketet och byt ut det med det nya batteripaketet.
3. Kassera batterierna på ett säkert sätt. Användna batterier bör tas till en återvinningsstation och inte disponeras med hushållssoporna.

FELSÖKNING

Om du har något problem med din ångrengörare, följ denna enkla checklista innan du ringer Hoover kundtjänstcenter:

A. Dammsugare slår inte på

Kontrollera om ångrengöraren är laddad.

Kontrollera att batterisatsen sitter på plats.

B. Rengöraren slutar fungera

Kontrollera om den finns något hinder i luftinloppet eller i röret, avlägsna eventuellt hinder och se till att produkten är avstängd. Tryck därefter på På/Av-knappen för att starta produkten igen.

C. Förlust av insugningstryck eller inget sug alls

Töm dammbehållaren och rengör förfiltret och separatorn.
Ta bort munstycket och kontrollera om det kanalen är igentäppt.

D. Batterierna kan inte laddas

Det kan bero på att den har förvarats under en väldigt lång period (mer än ett halvår).
Kontakta Hoovers kundtjänst för att ordna batteribyte.
Om problemet kvarstår kontakta Hoovers kundtjänstcenter.

HOOVER RESERVDELAR OCH FÖRBRUKNINGSVAROR

Använd alltid originaldelar från Hoover vid byte. Du kan beställa delar från närmaste Hoover-återförsäljare eller direkt från Hoover. Uppge alltid modellnummer när du beställer delar.

DIN GARANTI

Garantivillkoren för produkten definieras av vår representant i det land där produkten säljs. Du kan få uppgifter om aktuella villkor från återförsäljaren. Kvittot måste visas upp när man kräver ersättning enligt garantin.

VIKTIGT: Batteriet i den här rengöraren har en garantitid på 2 år från inköpsdatumet. Efter 2 år måste kunden stå för kostnaden av ett nytt batteri.

Specifikationerna kan ändras utan föregående meddelande.

OHJEET TURVALLISTA KÄYTTÖÄ VARTEN

Tämä laite on tarkoitettu ainoastaan kotikäyttöön tämän käyttöoppaan kuvaamalla tavalla. Tutustu tähän käyttöoppaaseen huolellisesti ennen laitteen käyttöä.

Kytke laturista virta ja irrota laturi virtalähteestä aina käytön jälkeen ja ennen kuin puhdistat laitteen tai teet huoltotoimenpiteitä.

Tätä laitetta voivat käyttää yli 8-vuotiaat lapset ja henkilöt joilla on vähentynyt fyysinen, aistillinen tai henkinen kyky tai joilla ei kokemusta tai tietoja, mikäli heille on annettu ohjausta ja valvontaa koskien laitteen turvallista käyttöä ja ymmärtävät käyttöön liittyvät vaaratekijät. Lapset eivät saa leikkiä laitteella. Käyttäjän suorittamaa puhdistusta ja huoltoa ei tule suorittaa lasten toimesta ilman valvontaa.

Lopeta laitteen käyttö välittömästi, jos virtajohto on vahingoittunut. Virtajohdon saa turvallisuussyistä vaihtaa vain valtuutettu Hoover-huoltoliike.

Pidä kädet, jalat, löysät vaatteet ja hiukset loitolla pyörivistä harjoista. Käytä vain laitteen mukana toimitettua laturia.

Varmista, että laturiin merkityt arvot vastaavat syöttöjännitettä.

Tämä Hoover-laite on varustettu kaksois-eristetyllä akkulaturilla joka sopii liitettäväksi vain 230V:n (Iso-Britannia 240V) pistorasiaan.

Kytke laturi sopivaan pistorasiaan ja yhdistä laturin jakkiliitinlaitteeseen.

Sammuta laite ennen lataamista.

Lataa laitetta ennen ensimmäistä käyttöä vähintään 24 tuntia. Akkuyksikön LED-valo on PUNAINEN latauksen aikana, ja se muuttuu VALKOISEKSI kun laite on ladattu täyteen.

Laita laite käytön jälkeen takaisin laturiin akun lataamiseksi.

Älä koskaan lataa akkuja yli 37 °C:n tai alle 0 °C:n lämpötiloissa.

Laturi lämpeneminen latauksen aikana on aivan normaalia.

Älä irrota laturia virtalähteestä johdosta vetämällä.

Irrota laturi mikäli laitetta ei käytetä pitkään aikaan (loma-ajat jne.). Lataa laite uudelleen ennen käyttöä koska akut voivat purkaa varausta pitkien säilytysjaksojen aikana.

Jos laite hävitetään, akut on ensin poistettava. Laitteen täytyy olla irti verkkovirrasta akkua vaihdettaessa. Hävitä akut turvallisesti. Käytä laitetta kunnes se pysähtyy, jotta akut tyhjentyvät kokonaan. Vie käytetyt akut kierrätyskeskukseen. Älä hävitä niitä kotitalousjätteen mukana. Irrottaaksesi akut ota yhteyttä valtuutettuun Hoover huoltoliikkeeseen tai noudata seuraavia ohjeita.

TÄRKEÄÄ: Tyhjännä paristot aina kokonaan ennen niiden poistamista.

Käytä imuria kunnes akut ovat täysin tyhjä.

Irrota laturin liitin laitteesta.

Paina akkuyksikön vapautuspainikkeita ja irrota liu'uttamalla.

HUOMAA: Jos sinulla on vaikeuksia purkaa laitetta tai tarvitset yksityiskohtaisempaa tietoa laitteen jälkikäsitelystä, talteenotosta ja kierrätyksestä, ota yhteyttä paikallisiin kierrätysviranomaisiin tai kotitalouksien jätehuoltoon.

Käytä ainoastaan Hooverin toimittamia tai suosittelemia kiinnityskappaleita, lisävarusteita tai varaosia.

Staattinen sähkö: Jotkin matot voivat aiheuttaa vähäisen määrän staattista sähköä. Staattisen sähköön purkaus ei ole vaarallista terveydelle.

Älä käytä laitettasi ulkona tai märällä alustalla. Älä imuroi nesteitä.

Älä imuroi kovia tai teräviä esineitä, tulitikkuja, kuumaa tuhkaa, tupakantumpeja tai muita vastaavia esineitä. Älä ruiskuta laitteelle tai imuroi laitteella syttyviä nesteitä, puhdistusnesteitä, aerosoleja tai näiden höyryjä.

Älä aja laitteella verkkojohdon yli tai irrota pistoketta virtalähteestä johdosta vetämällä. Älä käytä laitetta tai laturia, jos se vaikuttaa vialliselta.

Hoover-huolto: Laitteen käyttöturvallisuuden ja tehokkaan toiminnan varmistamiseksi huolto ja korjaukset kannattaa teettää valtuutetussa Hoover-huollossa.

Älä käytä laitetta ihmisten tai eläinten puhdistamiseen.

Älä vaihda akkuja ei-ladattaviin akkuihin.

Ympäristö:

Tämä laite on merkitty sähkö- ja elektroniikkalaiteromusta annetun direktiivin 2011/65/EY (WEEE) mukaisesti. Hävittämällä tämän laitteen oikein estät mahdollisia ympäristölle ja ihmisterveydelle aiheutuvia haittavaikutuksia, joita saattaa syntyä laitteen vääränlaisen hävittämisen seurauksena. Laitteessa oleva symboli osoittaa, että laitetta ei saa hävittää kotitalousjätteenä. Se täytyy luovuttaa kodinkoneiden keräyspisteeseen sähkölaitteiden kierrätystä varten. Hävittäminen on suoritettava paikallisten jätteiden hävittämistä koskevien ympäristösäännösten mukaisesti. Saat lisätietoja tämän tuotteen käsitlemisestä, hyötykäytöstä ja kierrätyksestä paikallisilta viranomaisilta, kotitalouksien jätehuollosta tai liikkeestä, josta ostit tuotteen.



| | |
|--|---|
| Taajuusalueet | 2400Mhz ~ 2483.5Mhz |
| Taajuusalueella kuuluva enimmäisäänenvoimakkuus | 802.11 b: +20 dBm 802.11 g: +17 dBm 802.11 n: +14 dBm |

CE Candy Hoover Group Srl vakuuttaa, että tämä merkitty laite on direktiivin 2014/53/EU ja 2011/65/EU vaatimusten mukainen. Jos haluat kopion vaatimustenmukaisuusvakuutuksesta, ota yhteyttä valmistajaan osoitteessa www.candy-group.com

CANDY HOOVER GROUP S.r.l. Via Privata Eden Fumagalli, 20861 Brugherio (MB) Italy

TUOTTEEN OSAT

- | | |
|--|--|
| <ul style="list-style-type: none"> A. ON/OFF-painike B. Turbo-painike C. Hiljennys-painike D. WiFi-kytkin E. Pölysäiliö F. Pölysäiliön läpän vapautuspainike G. Rikkaimurin vapautuspainike H. Säiliön vapautuspainike I. Putki J. Suulakkeen vapautus-painike K. Suulake L. Suulakkeen etuvalot M. Suulakkeen vapautuspainike N. Harjarullan tilan osoittava merkkivalo O. Moottorin esisuodatin P. Yksinkertaisen pyörrepuhdistimen putki Q. Yksinkertainen pyörrepuhdistin | <ul style="list-style-type: none"> R. Virran merkkivalo S. Akun tilan ilmoittava merkkivalo T. Akun latauksen merkkivalo U. Akun vapautuspainike V. Akkupaketti W. Akun latausportti X. Laturi Y. Seinäasennus* Z. Seinätelineen ruuvit* AA. Integroitu 2 in 1 pöly- ja huonekaluharja AB. Miniturbosuutin* AC. Lisävarustepussi* AD. Pehmeä takaliuska AE. Voimakas lattiarulla AF. Pyyhkijä AG. Tehokkaasti imuroiva rulla |
|--|--|

LAITTEEN KOKOAMINEN

Poista tuote pakkauksesta varovaisesti.

1. Asenna pitenevän putken toinen pää suuttimen päähän niin, että kuulet napsahduksen. **[1a]**
2. Kiinnitä kannettava yksikkö putkeen niin, että kuulet napsahduksen. **[1b]**
3. Kiinnitä seinäasennus seinään toimitetuilla ruuveilla ja seinätulpilla. **[2]**
4. Lataa laite täyteen kiinnittämällä latausliitin akkupakettiin. Tähän kuluu noin 6 tuntia.

HUOMAA: Irrottaaksesi suulakkeen, paina suulakkeen vapautus-painiketta ja vedä suulaketa runko-osasta ulospäin.

HUOMAA: Käytä vain imurisi kanssa toimitettua laturia imurin lataukseen. On normaalia, että laturi lämpenee latauksen aikana.

* Vain joissakin malleissa

LAITTEEN KÄYTTÖ

Voit valita neljästä eri tilasta, jotka erotat virtatilan merkkivalon väristä.

- **VAKIOTILA** Kun painat ON-OFF-painiketta, imuri on valmis puhdistamaan perusteellisesti moottoroidulla pääsuulakkeella. Merkkivalo on valkoinen. [3a]
- **Hiljainen-tila** Paina hiljainen-painiketta puhdistaksesi perusteellisesti tämän tuotteen alimmalla melutasolla. Valo muuttuu vihreäksi. [3b]
- **TURBO-TILA:** Paina turbo-painiketta, jos haluat käyttää laitetta täydellä teholla hankalissa puhdistustehtävissä. Merkkivalo on sininen. [3c]
- **AUTOMAATTINEN TILA:** Kun suutin tai putki poistetaan, tuote mukauttaa tehoansa matalammaksi niin, että lattian yläpuolelta voidaan siivota moottoroimattomilla välineillä. Merkkivalo on vaaleansininen/sinivihreä.

HARJARULLAN TILA

Pyöröharjan tilasta kertova merkkivalo suulakkeessa pysyy valkoisena kaikissa lattianpuhdistukseen tarkoitettuja tiloja käytettäessä, ja se muuttuu punaiseksi jos turvajärjestelmä käynnistyy. [14]

Wi-Fi-ASETUS

HUOMAA: Tässä laitteessa on wifi-yhteys parantamaan laitteen käytettävyyttä. Sen avulla voit saada tilastotietoja laitteen käytöstä, ja tietoa kuinka voit käyttää laitetta parhaalla mahdollisella tavalla.

Kirjautuminen

Voit laittaa Wi-Fi-verkon päälle ja pois päältä painamalla Wi-Fi-painiketta. [3d] LED-valo vilkkuu tauotta kunnes imuri on yhdistynyt Hoover Wizard applikaatioon.

1. Voit ladata Hoover Wizard applikaation skannaamalla QR-koodin joka sijaitsee manuaalin kassessa.
2. Tallenna sovellus älypuhelimesi.
3. Seuraa applikaation ohjeita imurisi asennukseen.

Kun asennus on tehty oikein, älypuhelimesi yhdistyy automaattisesti imuriin.

WIFI NOLLAUS

Voit nolata imurisi painamalla Wi-Fi-painiketta viiden sekunnin ajan kunnes LED-valo alkaa vilkkua.

Sinun täytyy yhdistää imuri takaisin applikaatioon.

HUOMAA: kun lukitset tuotteen applikaatiossa, voit poistaa lukituksen applikaatiossa tai painamalla "Turbo" ja "Silent" -painikkeita kolmen sekunnin ajan samanaikaisesti.

VALITSE SOPIVA SUUTIN, JOKA TAKAA PARHAAT TULOKSET

Voimakas lattiariulla*: suositellaan käytettäväksi matoilla; pääsee puhdistamaan pölyn syvältä matosta.

Deep Care roller*: suositellaan käytettäväksi kovalla lattialla tai herkällä parketilla. Pehmeiden harjojen ansiosta sopii näiden lattioiden hienovaraiseen puhdistamiseen.

TÄRKEÄÄ: Imurista on aina katkaistava virta ennen mattoharjan vaihtoa ja puhdistusta.

HUOMAA: Telan asentamisessa voi käyttää: [17]

1. Avaa mattoharjan vapautuslappä. Se sijaitsee suulakkeen sivuosassa.
2. Irrota mattoharja pitelemällä mattoharjan vapautuslappä ja vetämällä alaspäin.
3. Vaihda tilalle voimakas tela tai tehokkaasti hoitava tela.
4. Aseta mattoharjan vapautuslappä takaisin paikalleen.

PYYHKIJÄN KOKOONPANO

Rakosuulakkeen ja maton puhdistustehokkuuden parhaan tuloksen saamiseksi on suositeltavaa asentaa etu- ja takapyyhkijät suuttimen pohjalevyyn.

Tee tämä avaamalla mattoharjan vapautuslappä ja irrottamalla pehmeät kaistale. Ota sitten kiinni pyyhkijästä. Aseta yksi pää takuraan ja liu'uta se loppuun asti. Toista toimenpiteet toisen pyyhkijän osalta ja liu'uta tämä etu-uraan. Lukitse mattoharjan vapautuslappä. [16]

* Vain joissakin malleissa

LAITTEEN SÄILYTYS

Käytön jälkeen voit säilyttää laitteesi kahdella kätevällä tavalla.

1. SÄILYTYS SEINÄTELINEESSÄ

Tuotteesi on varustettu seinätelineellä, jossa voit säilyttää sitä kätevästi ja helposti. Voit kiinnittää telineen seinääsi mukana tulleilla ruuveilla. Aseta vain imuri paikoilleen käytön jälkeen. [2]

2. KOMPAKTI SÄILYTYS/PAIKOITUS

Säilyttääksesi tuotetta putkessa, poista rikkaimuri painamalla vapautuspainiketta. [5]

Varmista, että mukana tuleva 2 in 1 väline (AA) palautetaan takaisin alkuperäiseen paikkaan, jotta se on kunnolla pölyharjan ja paikannusripustimen luona alaspäin olevassa asennossa.

Kiinnitä paikannusriipustin putken alempaan osaan ja paina taempi kahva täysin paikoilleen lukkomekanismiin putken yläosassa. [6]

TURVAJÄRJESTELMÄ

Jotta tuotteen suorituskyky säilyisi myös hankalissa käyttöolosuhteissa, tuotteessa on sisäänrakennettuna kaksi turvajärjestelmää; yksi imurissa ja yksi suulakkeessa.

HUOMAA: Turvajärjestelmä käynnistyy kahdessa eri tapauksessa:

1. jos ilma-aukossa tai putkessa on tukoksia, imuri sammuu itsestään, ja pääyksikön merkkivalo muuttuu punaiseksi. Jos näin käy, tarkista vain onko putkessa tai rikkaimurin ilma-aukossa tukoksia. Poista se ja paina uudestaan ON-painiketta.
2. jos rullassa on tukos tai se lukittuu, se lakkaa pyörimästä kun sitä käytetään, ja suulakkeen VALKOISET merkkivalot muuttuvat PUNAISEKSI. [14] Jos näin tapahtuu, sammuta laite ja poista harjassa oleva tukos. Jatka laitteen käyttöä painamalla on/off-painiketta; laite käynnistyy uudelleen normaalissa toimintatilassa.

AKKU

Tämä imuri on varustettu akun varauksen ilmoittavalla merkkivalolla. Kun laite on käynnissä, eri väriset merkkivalot näyttävät akun varauksen.

AKUN VARAUS:

Valkoinen väri: 100% - 70% lataus

Sininen väri: <70% - 40% lataus

Punainen väri: <40% - 10% lataus

Punainen vilkkuu: <10% lataus

Laite voidaan ladata kahdella eri tavalla:

Lataa akku kun se on kiinnitettyä tuotteeseen.

Aseta akun latausjohto kiinni akkuun. Merkkivalo palaa ladattaessa punaisena. Kun akku on ladattu täyteen, merkkivalo palaa valkoisena yhden minuutin ajan, minkä jälkeen se sammuu. [7]

Lataa akku kun se on irroitettu tuotteesta.

Irroita akku tuotteesta painamalla akun vapautuspainikkeita.

Aseta akun latausjohto kiinni akkuun. Paristoyksikön merkkivalo palaa ladattaessa PUNAISENA. Kun akku on ladattu täyteen, merkkivalo palaa VALKOISENA. [8]

HUOMAA: On normaalia, että laturi lämpenee latauksen aikana. Käytä vain imurin kanssa toimitettua laturia.

LISÄVARUSTEET

RIKKAIMURIIN INTEGROITU RAKOSUUTIN, PUTKEEN INTEGROITU RAKOSUUTIN, 2IN1 HUONEKALUSUUTIN & PÖLYHARJA JA MINITURBOSUUTIN.

Integroidut rakosuuttimet - ihanteellinen ahtaiden paikkojen saavuttamiseen.

Pölyharja - ihanteellinen puhdistamaan pintoja vahingoittamatta tai raapimatta niitä.

Tekstiilisuu lake - ihanteellinen puhdistamaan pintoja kuten sohvia.

Kaikki lisävarusteet sopivat sekä pääyksikköön että putkeen. [4]

HUOMAA: Miniturbosuutin sopii ihanteellisesti tekstiilipintojen (esim. sohvien) puhdistukseen ja kotieläinten karvojen poistoon. Liikuta tasaisesti taakse- ja eteenpäin. Poista tarvittaessa käytön jälkeen harjaan kertyneet karvat/langat saksilla.

LISÄVARUSTELAUKKU*

Lisävarusteita voi säilyttää lisävarustelaukussa.

* Vain joissakin malleissa

Seinäasennus*

Ripusta seinäteline seinälle mukana tulleilla ruuveilla.. [2]

LAITTEEN KUNNOSSAPITO

Esisuodattimen ylläpitomuistutus. Jos esisuodatin vaatii ylläpitoa, imurin punainen valo alkaa vilkkua punaisena.

Pölysäiliön tyhjennys

1. Paina pääyksikön vapautuspainiketta ja irrota putki. [5]
2. Paina pölysäiliön tyhjennyspainiketta säiliön kannen avaamiseksi ja tyhjennä se. [9]
3. Sulje pölysäiliön kannen vapautuspainike. Kuulet naksauksen kun se on täysin lukittu.

HUOMAA: Pölysäiliö kannattaa tyhjentää aina käytön jälkeen tai kun se on täynnä maksimirajaan asti.

Puhdista pölysäiliö ja suodatin

Tuotteen LED-näytön merkivalo vilkkuu PUNAISENA, kun moottorin esisuodatin pitää puhdistaa.

1. Paina rikkaimurin vapautuspainiketta ja irrota rikkaimuri putkesta. [5]
2. Paina akun vapautuspainiketta ja irrota akku. [8]
3. Irrota pölysäiliö kääntämällä sitä ja vetämällä pois päin yksiköstä. [10]
4. Irrota moottorin esisuodatin vetämällä tukea säiliökokonaisuudesta. [11a]
5. Irrota yksinkertainen pyörrepuhdistinjärjestelmä vetämällä metallirengasta säiliökokonaisuudesta.
6. Poista pyörresuuttimen putki kääntämällä myötäpäivään ja vedä irti pyörrepuhdistusjärjestelmästä. [11b]
7. Pese suodatin ja yksinkertainen pyörrepuhdistusjärjestelmä haaleassa vedessä ja anna kuivua **24 tunnin ajan.** [12,13]
8. Asenna suodatin takaisin laitteeseen sen olessa täysin kuiva.

HUOMAA: Älä käytä kuumaa vettä tai pesuaineita kun puhdistat moottorin esisuodatinta. Jos moottorin esisuodattimet jostain syystä vahingoittuvat, asenna tilalle Hooverin alkuperäinen varaosa. Varmista, että kiinnitit aina moottorin esisuodattimen takaisin paikoilleen ennen kuin kiinnität pölysäiliön pääyksikköön, sillä muuten suodattimen suojausmekanismi menee päälle.

TÄRKEÄÄ: Pidä suodatin aina puhtaana parhaan suorituskyvyn säilyttämiseksi. Suosittelemme pesemään suodattimen vähintään kahden viikon välein.

Mattoharjan vaihto ja puhdistus

TÄRKEÄÄ: Imurista on aina katkaistava virta ennen mattoharjan vaihtoa ja puhdistusta.

1. Irrota suulake putkesta.
2. Avaa mattoharjan vapautuslappä. Se sijaitsee suulakkeen sivuosassa. [17]
3. Pidä sekoittimen vapautuslappä ja poista sekoitin.
4. Intense Floor Rollerin puhdistamiseksi poista ylimääräiset jäänteet saksilla.
5. Sijoita sekoitin uudelleen. Sekoitin mahtuu vain yhdensuuntaisesti.
6. Sulje sekoittimen vapautuslappä, jotta sekoitin pysyy paikallaan.

Akkujen vaihtaminen

Imuriin sopii ladattava litiumioniakkuyksikkö, joka on mahdollista vaihtaa.

VAROITUS: Asenna imuriin vain hyväksytyjä varaosia. Varaosien, jotka eivät ole Hooverin hyväksymiä, käyttäminen on vaarallista ja mitätöi takuun.

VAROITUS: Älä yritä avata ja korjata akkupakettia itse.

1. Paina akun vapautuspainikkeita ja vedä akku ulos. [8]
2. Poista vanha akkupaketti ja laita tilalle uusi.
3. Hävitä akut turvallisesti. Vie käytetyt akut kierrätyskeskukseen. Älä hävitä niitä kotitalousjätteen mukana.

VIANMÄÄRITYS

Mikäli sinulla on mitään ongelmia imurisi kanssa, noudata seuraavaa yksinkertaista tarkistuslistaa ennen kuin soitat valtuutettuun Hoover huoltooliikkeeseen:

A. Imuri ei käynnisty

Tarkista imurin lataus.

Tarkista, onko akkupaketti asennettu paikalleen.

B. Imuri lakkaa toimimasta

Tarkista onko ilma-aukossa tai putkessa tukosta, poista se, ja varmista että laite on pois päältä. Kun tämä on tehty, paina on/off-painiketta, jolloin laite alkaa taas toimia.

C. Imun vähäisyys tai ei imua.

Tyhjennä pölysäiliö ja pese verkkosuodatin ja erotin.

Irrota suulake ja tarkista, ettei putkessa ole tukoksia.

D. Akkuja ei voida ladata

Voi johtua pitkästä (yli puolen vuoden) varastointijaksosta.

Ota yhteyttä valtuutettuun Hoover huoltoliikkeeseen, mistä voit ostaa uudet akut.

Mikäli ongelma ei ratkea, ota yhteyttä valtuutettuun Hoover huoltoliikkeeseen.

HOOVER-VARAOSAT JA -TARVIKKEET

Käytä vain alkuperäisiä Hoover-varaosia. Niitä on saatavana paikalliselta Hoover- jälleenmyyjältä tai valtuutetusta huoltoliikkeestä. Mainitse varaosatilauksen yhteydessä laitteen tyyppinumero.

TAKUU

Tämän laitteen takuehdot määrittelee ostamaan Hoover-edustaja. Yksityiskohtaiset tiedot näistä ehdoista saa laitteen myyneeltä jälleenmyyjältä. Tämän takuun mukaisia vaateita esitettäessä on esitettävä myyntitodistus tai ostokuitti.

TÄRKEÄÄ: Tässä imurissa olevalla akulla on 2 vuoden takuu ostopäivästä alkaen. 2 vuoden jälkeen asiakkaan on maksettava uusi akku.

Oikeus muutoksiin pidätetään.

ΟΔΗΓΙΕΣ ΑΣΦΑΛΟΥΣ ΧΡΗΣΗΣ

Η συσκευή πρέπει να χρησιμοποιείται αποκλειστικά για οικιακή χρήση, σύμφωνα με τις οδηγίες χρήσης. Πριν δοκιμάσετε να χρησιμοποιήσετε τη συσκευή, βεβαιωθείτε ότι έχετε κατανοήσει τις οδηγίες που περιέχει το βιβλίο που κρατάτε στα χέρια σας.

Πριν από τον καθαρισμό της συσκευής ή οποιαδήποτε εργασία συντήρησης να απενεργοποιείτε πάντα τη συσκευή και να βγάζετε το φορτιστή από την πρίζα.

Η χρήση της συσκευής από παιδιά άνω των 8 ετών, ηλικιωμένους και ΑΜΕΑ προϋποθέτει την παρουσία ενήλικα που θα φέρει την ευθύνη για την ασφαλεία τους. Η χρήση της συσκευής από άτομα που δεν έχουν εξοικειωθεί στη χρήση παρόμοιων συσκευών μπορεί να γίνει μόνο αφού γίνει κατανοητός ο κίνδυνος που ενέχει η χρήση της συσκευής. Μην αφήνετε τα παιδιά να παίζουν με τη συσκευή. Οι εργασίες καθαρισμού και συντήρησης της συσκευής δεν πρέπει να γίνονται από τα παιδιά χωρίς την επίβλεψη ενήλικα που θα φέρει την ευθύνη για την ασφαλεία τους.

Εάν το καλώδιο σύνδεσης με το δίκτυο παροχής εμφανίσει φθορές διακόψτε την λειτουργία της συσκευής αμέσως. Για λόγους ασφαλείας η αντικατάσταση του φθαρμένου καλωδίου της συσκευής πρέπει να γίνεται αποκλειστικά στα σημεία τεχνικής υποστήριξης Hoover.

Μην πλησιάζετε τις περιστρεφόμενες βούρτσες με τα χέρια, τα πόδια, τα μαλλιά ή τα ρούχα σας.

Χρησιμοποιείτε μόνο τον αυθεντικό φορτιστή που παρέχεται με τη συσκευή.

Ελέγξτε ότι η τάση τροφοδοσίας είναι η ίδια με αυτή που αναγράφεται στο φορτιστή.

Η συσκευή Hoover διατίθεται με φορτιστή μπαταρίας με διπλή μόνωση, ο οποίος είναι κατάλληλος μόνον για πρίζες με τάση 230 V (240 V - Ηνωμένο Βασίλειο).

Βάλτε τον φορτιστή σε κατάλληλη πρίζα και συνδέστε το βύσμα του φορτιστή στη συσκευή.

Απενεργοποιήστε τη συσκευή πριν τη φόρτιση.

Πριν από την πρώτη χρήση, φορτίστε τη συσκευή για τουλάχιστον 24 ώρες. Η LED λυχνία της μπαταρίας θα ανάψει με ΚΟΚΚΙΝΟ χρώμα κατά τη διάρκεια της φόρτισης και θα γίνει ΛΕΥΚΟ όταν φορτιστεί πλήρως.

Μετά τη χρήση, βάλτε τη συσκευή στον φορτιστή για την επαναφόρτιση της μπαταρίας.

Μη φορτίζετε ποτέ τις μπαταρίες σε θερμοκρασία μεγαλύτερη από 37°C ή μικρότερη από 0°C.

Κατά την διάρκεια της φόρτισης ο φορτιστής θερμαίνεται.

Μην αποσυνδέετε το φορτιστή τραβώντας το καλώδιο.

Σε περίπτωση μακράς απουσίας (διακοπές, κλπ) αποσυνδέστε τον φορτιστή από την παροχή. Σε μακροχρόνιες περιόδους αποθήκευσης της συσκευής, επαναφορτίστε την συσκευή πριν την χρησιμοποιήσετε, καθώς οι μπαταρίες μπορεί να έχουν αδειάσει.

Εάν η συσκευή πρόκειται να απορριφθεί, πρώτα πρέπει να αφαιρεθούν οι μπαταρίες. Η συσκευή πρέπει να αποσυνδεθεί από το ηλεκτρικό δίκτυο κατά την αφαίρεση των μπαταριών. Απορρίψτε τις μπαταρίες με ασφαλή τρόπο. Αφήστε τη συσκευή να λειτουργεί μέχρι να σταματήσει λόγω πλήρους εκφόρτισης των μπαταριών. Οι χρησιμοποιημένες μπαταρίες πρέπει να προσκομίζονται σε ένα σταθμό ανακύκλωσης και δεν πρέπει να απορρίπτονται με τα οικιακά απορρίμματα. Για να αφαιρέσετε τις μπαταρίες, επικοινωνήστε με το κέντρο εξυπηρέτησης πελατών της Hoover ή ακολουθήστε τις παρακάτω οδηγίες.

ΕΠΙΣΗΜΑΝΣΗ: Αδειάστε πλήρως τις μπαταρίες πριν τις αφαιρέσετε. Λειτουργίστε τη σκούπα μέχρι να αδειάσουν πλήρως οι μπαταρίες. Βγάλτε το βύσμα του φορτιστή από τη συσκευή.

Πιέστε τα πλήκτρα απελευθέρωσης της μπαταρίας και σύρετε για να την αφαιρέσετε.

ΣΗΜΕΙΩΣΗ: Εάν συναντήσετε δυσκολίες κατά την αποσυναρμολόγηση της μονάδας ή για περισσότερες πληροφορίες σχετικά με την επεξεργασία, την ανάκτηση ή την ανακύκλωση αυτής της συσκευής, επικοινωνήστε με την αρμόδια δημοτική αρχή ή την υπηρεσία απόρριψης οικιακών απορριμμάτων της περιοχής σας.

Χρησιμοποιείτε μόνο αξεσουάρ, αναλώσιμα ή ανταλλακτικά που συνιστώνται ή παρέχονται από τη Hoover.

Στατικός ηλεκτρισμός: Ορισμένα χαλιά μπορεί να προκαλέσουν συσσώρευση στατικού ηλεκτρισμού. Τυχόν στατικές εκκενώσεις δεν είναι επικίνδυνες για την υγεία.

Μην χρησιμοποιείτε τη συσκευή σας σε εξωτερικούς χώρους, σε υγρή επιφάνεια ή για τη συλλογή υγρών.

Μην συλλέγετε με τη συσκευή σκληρά ή αιχμηρά αντικείμενα, καυτή στάχτη, αποσίγαρα ή άλλα παρόμοια αντικείμενα. Μην ψεκάζετε ή συλλέγετε εύφλεκτα υγρά, υγρά καθαρισμού, αερολύματα ή τους ατμούς τους.

Ενόσω χρησιμοποιείτε τη συσκευή δεν πρέπει να πατάτε επάνω στο καλώδιο, μην τραβάτε το καλώδιο για να αποσυνδέσετε τη συσκευή από την παροχή. Μη συνεχίσετε να χρησιμοποιείτε τη συσκευή ή το φορτιστή αν παρουσιάζουν βλάβη.

Service Hoover: Για τις εργασίες συντήρησης ή αποκατάστασης κακής λειτουργίας ή βλάβης πρέπει να απευθύνεστε αποκλειστικά στα κέντρα τεχνικής υποστήριξης Hoover, έτσι εξασφαλίζετε την ασφαλή και αποτελεσματική λειτουργία της συσκευής

Μην χρησιμοποιείτε τη συσκευή για να καθαρίζετε ζώα ή άτομα. Μην αντικαθιστάτε τις μπαταρίες με μη επαναφορτιζόμενες μπαταρίες.

Περιβάλλον:

Αυτή η συσκευή φέρει σήμανση σύμφωνα με την υπ' αριθμ 2011/65/EK, οδηγία για Απόβλητα Ηλεκτρικού και Ηλεκτρονικού Εξοπλισμού (WEEE). Η σωστή απόσυρση της συσκευής συμβάλλει στην αποφυγή αρνητικών επιπτώσεων για το περιβάλλον και τον άνθρωπο που μπορεί να προκληθούν από την λανθασμένη διαχείριση στην διαδικασία απόσυρσης της συσκευής. Η σήμανση του προϊόντος επισημαίνει ότι το συγκεκριμένο προϊόν δεν πρέπει να απορρίπτεται μαζί με τα οικιακά απορρίμματα. Η συσκευή αυτή πρέπει να αποσύρεται στα ειδικά σημεία συγκέντρωσης για ανακύκλωση ηλεκτρικού και ηλεκτρονικού εξοπλισμού. Η απόρριψη της συσκευής πρέπει να γίνει σύμφωνα με την ισχύουσα κατά τόπο νομοθεσία για την απόρριψη ηλεκτρονικών και ηλεκτρικών αποβλήτων. Για περισσότερες πληροφορίες σχετικά με τη διαχείριση, την ανάκτηση και την ανακύκλωση του προϊόντος, επικοινωνήστε με την αρμόδια τοπική υπηρεσία, την υπηρεσία αποκομιδής οικιακών απορριμμάτων ή το κατάστημα που το αγοράσατε.



| | |
|---|---|
| Ζώνες συχνότητας | 2400Mhz ~ 2483.5Mhz |
| Μέγιστη ισχύς ραδιοσυχνότητας που μεταδίδεται στη ζώνη συχνότητων. | 802.11 b: +20 dBm 802.11 g: +17 dBm 802.11 n: +14 dBm |

CE Με το παρόν η Candy Hoover Group Srl, δηλώνει ότι αυτή η συσκευή με σήμανση συμμορφώνεται με τις βασικές απαιτήσεις των Οδηγιών 2014/53/EE και 2011/65/EE. Για να λάβετε ένα αντίγραφο της δήλωσης συμμόρφωσης παρακαλώ επικοινωνήστε με τον κατασκευαστή στο: www.candy-group.com

CANDY HOOVER GROUP S.r.l. Via Privata Eden Fumagalli, 20861 Brugherio (MB) Italy

ΕΞΑΡΤΗΜΑΤΑ ΤΟΥ ΠΡΟΪΟΝΤΟΣ

- | | |
|--|--|
| <ul style="list-style-type: none"> A. Πλήκτρο λειτουργίας (On/Off) B. Πλήκτρο λειτουργίας Turbo C. Κουμπί σίγασης D. Διακόπτης WIFI E. Κάδος σκόνης F. Κουμπί απασφάλισης πτερυγίου κάδου σκόνης G. Πλήκτρο Απασφάλισης Χειρολαβής H. Κουμπί απελευθέρωσης αποθήκευσης I. Σωλήνας J. Πλήκτρο Απασφάλισης Ακροφυσίου K. Ακροφύσιο L. Εμπρός φώτα Led ακροφυσίου M. Πτερύγιο απελευθέρωσης ακροφυσίου N. Led κατάστασης ράβδου βούρτσας O. Φίλτρο πριν το μοτέρ P. Εντοπιστής στροβίλου μονού κυκλώνα Q. Μονός κυκλώνας | <ul style="list-style-type: none"> R. Φως LED λειτουργίας τροφοδοσίας S. Φως LED κατάστασης μπαταρίας T. Φως φόρτισης μπαταρίας U. Κουμπί απελευθέρωσης μπαταρίας V. Συστοιχία Μπαταριών W. Στόμιο φόρτισης μπαταρίας X. Φορτιστής Y. Επιτοίχια Τοποθέτηση* Z. Βίδες επιτοίχιας τοποθέτησης* AA. Ολοκληρωμένο εργαλείο βούρτσας ξεσκονίσματος και εργαλείου για έπιπλα 2σε1 AB. Ακροφύσιο Mini Turbo* AC. Σακούλα αξεσουάρ* AD. Πίσω μαλακή λωρίδα AE. Δυνατός Κύλινδρος Καθαρισμού Δαπέδου AF. Λεπίδα καθαριστή. AG. Κύλινδρος Βαθιάς Φροντίδας |
|--|--|

ΠΡΟΕΤΟΙΜΑΣΙΑ ΤΗΣ ΣΚΟΥΠΑΣ

Βγάλτε προσεκτικά το προϊόν από τη συσκευασία

1. Σηκώστε το ακροφύσιο και τον σωλήνα επέκτασης, τοποθετήστε το ένα άκρο του σωλήνα στον λαίμο του ακροφυσίου μέχρι να ακούσετε να "κουμπώσει" στη θέση του. **[1a]**
2. Σηκώστε τη μονάδα χειρός και τοποθετήστε την στον σωλήνα μέχρι να την ακούσετε να "κουμπώσει" στη θέση της. **[1b]**
3. Στερεώστε την επιτοίχια βάση στον τοίχο με τις βίδες και τα ούπα που παρέχονται. **[2]**
4. Για να φορτίσετε πλήρως τη συσκευή, συνδέστε το βύσμα του φορτιστή στην μπαταρία. Θα χρειαστούν περίπου 6 ώρες.

ΣΗΜΕΙΩΣΗ: Για να αφαιρέσετε το ακροφύσιο, πιάστε το κουμπί απασφάλισης του ακροφυσίου και τραβήξτε το από το κύριο σώμα της σκούπας.

ΣΗΜΕΙΩΣΗ: Για να φορτίσετε τη συσκευή χρησιμοποιείτε αποκλειστικά το φορτιστή που διατίθεται με τη σκούπα σας. Κατά τη φόρτιση, ο φορτιστής θερμαίνεται.

* Μόνο ορισμένα μοντέλα

ΟΔΗΓΙΕΣ ΧΡΗΣΕΩΣ

Υπάρχουν 4 τρόποι λειτουργίας που μπορείτε να διακρίνετε από το χρώμα του LED λειτουργίας Τροφοδοσίας.

- **ΚΑΝΟΝΙΚΟΣ ΤΡΟΠΟΣ:** Όταν πατάτε το κουμπί ON-OFF, η σκούπα είναι έτοιμη για καθαρισμό με το κύριο μηχανοκίνητο ακροφύσιο. Η λυχνία LED είναι λευκή. [3a]
- **Ήσυχη λειτουργία** Πατήστε το κουμπί σίγασης για να καθαρίσετε σε βάθος με τη χαμηλότερη στάθμη θορύβου. Το φως γίνεται πράσινο. [3b]
- **ΤΡΟΠΟΣ ΛΕΙΤΟΥΡΓΙΑΣ TURBO:** Πατήστε το κουμπί Turbo για πλήρη ισχύ σε απαιτητικές εργασίες καθαρισμού. Η λυχνία LED είναι μπλε. [3c]
- **ΤΡΟΠΟΣ ΛΕΙΤΟΥΡΓΙΑΣ ΑΥΤΟ:** Όταν αφαιρείτε το ακροφύσιο ή τον σωλήνα, το προϊόν προσαρμόζεται αυτόματα σε χαμηλότερη ισχύ για τον καθαρισμό πάνω από το δάπεδο, χωρίς μηχανοκίνητα εργαλεία. Η λυχνία LED είναι μπλε/κυανή.

ΚΑΤΑΣΤΑΣΗ ΡΑΒΔΟΥ ΒΟΥΡΤΣΑΣ

Η λυχνία LED της ράβδου βούρτσας στο ακροφύσιο θα παραμείνει φωτεινό λευκό κατά τη διάρκεια όλων των λειτουργιών καθαρισμού δαπέδου και θα γίνει κόκκινη εάν ενεργοποιηθεί το σύστημα προστασίας ασφαλείας. [14]

ΡΥΘΜΙΣΗ Wi-Fi

ΣΗΜΕΙΩΣΗ: Αυτό το προϊόν διαθέτει σύνδεση wifi για βελτιωμένη αλληλεπίδραση με τη σκούπα σας. Σας επιτρέπει να λαμβάνετε στατιστικά στοιχεία σχετικά με τη χρήση του προϊόντος, τον καλύτερο τρόπο χρήσης και παρακολούθησης της συνολικής συντήρησης του προϊόντος σας για να εξασφαλίσετε την απόδοση.

Εγγραφή

Μπορείτε να ενεργοποιήσετε / απενεργοποιήσετε το Wi-Fi πατώντας το κουμπί Wi-Fi όπως φαίνεται στο διάγραμμα. [3d] Η λυχνία LED θα αναβοσβήνει συνεχώς έως ότου συνδεθεί η ηλεκτρική σκούπα στην εφαρμογή Hoover Wizard.

1. Μπορείτε να κατεβάσετε την εφαρμογή Hoover Wizard σαρώνοντας τον κώδικα QR που βρίσκεται στο εξώφυλλο αυτού του χειριριδίου.
2. Εγκαταστήστε την στο smartphone σας.
3. Ακολουθήστε τις οδηγίες στην εφαρμογή για να ρυθμίσετε την ηλεκτρική σκούπα σας.

Όταν εγκατασταθεί σωστά, το smartphone θα συνδεθεί αυτόματα.

ΕΠΑΝΑΦΟΡΑ WIFI

Μπορείτε να επαναφέρετε την ηλεκτρική σκούπα σας πατώντας το κουμπί WiFi για 5 δευτερόλεπτα μέχρι να αρχίσει να αναβοσβήνει η λυχνία LED.

Πρέπει να συνδέσετε ξανά την ηλεκτρική σκούπα στην ΕΦΑΡΜΟΓΗ.

ΣΗΜΕΙΩΣΗ: αφού κλειδώσετε το προϊόν από την εφαρμογή, μπορείτε να το ξεκλειδώσετε τόσο από την εφαρμογή όσο και πατώντας τα κουμπιά "Turbo" και "Silent" στη συσκευή για 3 δευτερόλεπτα ταυτόχρονα.

ΕΠΙΛΕΞΤΕ ΤΟΝ ΚΑΤΑΛΛΗΛΟ ΚΥΛΙΝΔΡΟ ΓΙΑ ΚΑΛΥΤΕΡΟ ΚΑΘΑΡΙΣΜΟ

Δυνατός Κύλινδρος Δαπέδου*: συνιστάται η χρήση του σε χαλιά όπου μπορεί να διεισδύσει βαθιά στο χαλί για να καθαρίσει τη σκόνη.

Κύλινδρος βαθιάς φροντίδας*: συνιστάται η χρήση του σε σκληρά δάπεδα ή σε παρκέ επιφάνειες Χάρη στις μαλακές τρίχες μπορείτε να καθαρίσετε απαλά αυτούς τους τύπους δαπέδων.

ΕΠΙΣΗΜΑΝΣΗ : Να κλείνετε πάντα τη σκούπα πριν από τη φόρτιση και τον καθαρισμό του αναδευτήρα.

ΣΗΜΕΙΩΣΗ: Για να συναρμολογήσετε το κύλινδρο θα θέλατε να χρησιμοποιήσετε: [17]

1. Αποσυνδέστε το πτερύγιο απασφάλισης του αναδευτήρα. Βρίσκεται στο πλευρικό μέρος του ακροφυσίου.
2. Κρατήστε το πτερύγιο απασφάλισης του αναδευτήρα και τραβήξτε προς τα κάτω για να αφαιρέσετε τον αναδευτήρα.
3. Αντικαταστήστε με τον δυνατό κύλινδρο δαπέδου ή με τον κύλινδρο για μεγάλη φροντίδα.
4. Βάλτε ξανά στη θέση του το πτερύγιο απασφάλισης του αναδευτήρα.

ΣΥΣΤΗΜΑ ΛΕΠΙΔΑΣ ΚΑΘΑΡΙΣΜΟΥ

Για να πετύχετε την καλύτερη απόδοση σε σχισμές και χαλιά συνιστάται να συναρμολογήσετε την λεπίδα του εμπρός και πίσω καθαριστή στην πλάκα του ακροφυσίου.

Για να το κάνετε, ανοίξτε το πτερύγιο απασφάλισης του αναδευτήρα και αφαιρέστε τη μαλακή λωρίδα. Πιάστε μια λεπίδα του καθαριστήρα και βάλτε την στην πίσω σχισμή, και σύρετε την μέχρι να μπει κουμπώσει πλήρως. Επαναλάβετε αυτές τις ενέργειες και για τη δεύτερη λεπίδα καθαριστήρα και σύρετε την στην εμπρός σχισμή. Ασφαλίστε το πτερύγιο απασφάλισης του αναδευτήρα.

[16]

* Μόνο ορισμένα μοντέλα

ΟΔΗΓΙΕΣ ΑΠΟΘΗΚΕΥΣΗΣ

Μετά τη χρήση, η σκούπα σας μπορεί να αποθηκευθεί με 2 εύκολους τρόπους.

1. ΕΠΙΤΟΙΧΙΑ ΑΠΟΘΗΚΕΥΣΗ

Το προϊόν παρέχεται με επιτοίχια βάση για εύκολη αποθήκευση. Χρησιμοποιώντας τις βίδες που παρέχονται, στερεώστε τη βάση τοίχου στον τοίχο σας. Μετά τη χρήση του προϊόντος, απλά τοποθετήστε τη σκούπα σας στη θέση της. [2]

2. ΣΥΜΠΛΗΡΗΣ ΑΠΟΘΗΚΕΥΣΗ/ΛΕΙΤΟΥΡΓΙΑ ΣΤΑΘΜΕΥΣΗΣ

Για να αποθηκεύσετε το προϊόν στο σωλήνα, αφαιρέστε τη μονάδα χειρός πατώντας το κουμπί απελευθέρωσης μονάδας χειρός. [5] Βεβαιωθείτε ότι το ενσωματωμένο εργαλείο 2 σε 1 (AA) επιστρέφει στην αρχική του θέση όπως παρέχεται, εξασφαλίζοντας ότι το εργαλείο βρίσκεται καλά στη θέση του με τη βούρτσα ξεσκονίσματος και το άγκιστρο τοποθέτησης στην θέση προς τα κάτω. Συναρμολογήστε το άγκιστρο τοποθέτησης στην κάτω υποδοχή του σωλήνα και σπρώξτε την πίσω λαβή τέρμα στο εσωτερικό του μηχανισμού ασφάλισης που βρίσκεται στο επάνω μέρος του σωλήνα. [6]

ΣΥΣΤΗΜΑ ΑΣΦΑΛΕΙΑΣ ΓΙΑ ΠΡΟΣΤΑΣΙΑ

Για να διασφαλιστεί ότι η αξιοπιστία του προϊόντος δεν επηρεάζεται όταν χρησιμοποιείται σε δύσκολες συνθήκες, το προϊόν διαθέτει δύο ενσωματωμένα συστήματα προστασίας ασφαλείας, το ένα στη σκούπα και το άλλο στο ακροφύσιο.

ΣΗΜΕΙΩΣΗ: Το σύστημα προστασίας ασφαλείας θα δράσει σε δύο περιπτώσεις:

- αν υπάρχουν εμπόδια στην είσοδο αέρα ή στον σωλήνα, η σκούπα θα προστατευθεί και θα σβήσει και η λυχνία LED στην κεντρική μονάδα θα γίνει κόκκινη. Εάν συμβεί αυτό, ελέγξτε αν υπάρχουν εμπόδια στον σωλήνα ή στην είσοδο αέρα της μονάδας χειρός. Αφαιρέστε τα και ενεργοποιήστε ξανά την σκούπα.
- εάν ο αναδευτήρας έχει μπλοκαριστεί ή είναι κλειδωμένος θα σταματήσει να περιστρέφεται και το ΛΕΥΚΟ LED στο ακροφύσιο θα αλλάξει σε ΚΟΚΚΙΝΟ. [14] Αν συμβεί αυτό, απλώς σβήστε την συσκευή και αφαιρέστε το εμπόδιο από τον αναδευτήρα. Για να συνεχίσετε το καθαρίσμα, πατήστε το κουμπί on/off και η συσκευή θα τεθεί σε λειτουργία.

ΜΠΑΤΑΡΙΑ

Αυτή η σκούπα είναι εφοδιασμένη με ένδειξη LED κατάστασης μπαταρίας. Όταν το προϊόν είναι ενεργοποιημένο, το LED ανάβει σε διαφορετικά χρώματα για να δείξει τη στάθμη της μπαταρίας.

ΕΠΙΠΕΔΟ ΜΠΑΤΑΡΙΑΣ:

Άσπρο χρώμα: 100% - 70% φόρτιση

Μπλε χρώμα: <70% - 40% φόρτιση

Κόκκινο χρώμα: <40% - 10% φόρτιση

Κόκκινο που αναβοσβήνει: <10% φόρτιση

Υπάρχουν 2 μέθοδοι φόρτισης:

Φορτίστε τη μπαταρία όταν είναι τοποθετημένη στο προϊόν.

Τοποθετήστε το βύσμα του φορτιστή μπαταρίας στη μπαταρία. Η ένδειξη κατάστασης LED θα ανάψει με ΚΟΚΚΙΝΟ χρώμα κατά τη φόρτιση. Όταν ολοκληρωθεί η φόρτιση, η ενδεικτική λυχνία LED θα ανάψει ΛΕΥΚΟ για 1 λεπτό και στη συνέχεια θα σβήσει. [7] Φορτίστε τη μπαταρία όταν την βγάλετε από το προϊόν.

Αφαιρέστε την μπαταρία από το προϊόν πατώντας τα κουμπί απελευθέρωσης της μπαταρίας.

Τοποθετήστε το βύσμα του φορτιστή μπαταρίας στη μπαταρία. Το ενδεικτικό LED μπαταρίας θα ανάψει με ΚΟΚΚΙΝΟ χρώμα κατά τη φόρτιση. Όταν η φόρτιση ολοκληρωθεί, το LED θα ανάψει ΛΕΥΚΟ. [8]

ΣΗΜΕΙΩΣΗ: Κατά τη φόρτιση, ο φορτιστής θερμαίνεται. Χρησιμοποιείτε μόνο τον φορτιστή που συνοδεύει τη συσκευή σας.

ΕΞΑΡΤΗΜΑΤΑ

ΕΡΓΑΛΕΙΟ ΣΧΙΣΜΩΝ ΕΝΣΩΜΑΤΩΜΕΝΟ ΣΤΗ ΜΟΝΑΔΑ ΧΕΙΡΟΣ, ΕΡΓΑΛΕΙΟ ΣΧΙΣΜΩΝ ΕΝΣΩΜΑΤΩΜΕΝΟ ΣΤΟΝ ΣΩΛΗΝΑ, ΕΡΓΑΛΕΙΟ ΕΠΙΠΛΩΝ & ΒΟΥΡΤΣΑ ΞΕΣΚΟΝΙΣΜΑΤΟΣ ΣΣΕ1 ΚΑΙ ΑΚΡΟΦΥΣΙΟ ΜΙΝΙ TURBO.

Ενσωματωμένα εργαλεία σχισμών - ιδανικά για καθαρισμό σε στενούς χώρους.

Βούρτσα ξεσκονίσματος - ιδανικά για τον καθαρισμό επιφανειών χωρίς ζημιές ή γρατζουνιές.

Εξάρτημα καθαρισμού επίπλων - ιδανικά για τον καθαρισμό επιφανειών, όπως καναπέδες.

Όλα τα βοηθητικά εξαρτήματα μπορούν να τοποθετηθούν στο κύριο προϊόν και στον σωλήνα. [4]

ΣΗΜΕΙΩΣΗ: Το ακροφύσιο μίνι turbo είναι ιδανικό για βαθύ καθαρισμό υφασμάτινων επιφανειών (π.χ. καναπέδες) και απομάκρυνση τριχώματος κατοικίδιων. Μετακινήστε το σταθερά εμπρός και πίσω. Μετά τη χρήση, αφαιρέστε τρίχες/κλωστές που μαζεύονται στη βούρτσα με ψαλίδι αν χρειαστεί.

ΤΣΑΝΤΑ ΑΞΕΣΟΥΑΡ*

Πρόσθετα αξεσουάρ μπορείτε να τα αποθηκεύσετε στη τσάντα αξεσουάρ.

* Μόνο ορισμένα μοντέλα

Επιτοίχια Τοποθέτηση*

Κρεμάστε την επιτοίχια βάση στον τοίχο, χρησιμοποιώντας τις δύο βίδες που περιλαμβάνονται στο προϊόν για να κρεμάσετε το προϊόν. [2]

ΣΥΝΤΗΡΙΣΗ ΚΑΙ ΚΑΘΑΡΙΣΜΟΣ

Υπενθύμιση συντήρησης προ-φίλτρου. Εάν το προ-φίλτρο χρειάζεται συντήρηση, το κόκκινο φως στη σκούπα αρχίζει να αναβοσβήνει με κόκκινο χρώμα.

Άδειασμα του δοχείου σκόνης

1. Πατήστε το κουμπί απελευθέρωσης του κύριου σώματος και αφαιρέστε τον σωλήνα. [5]
2. Πατήστε το κουμπί για το άδειασμα δοχείου σκόνης για να απελευθερώσετε το περύγιο κάδου και να αδειάσετε τα περιεχόμενα. [9]
3. Κλείστε το κουμπί απελευθέρωσης του καλύμματος του κάδου σκόνης, θα ακούσετε ένα κλικ όταν κλειδώσει καλά.

ΣΗΜΕΙΩΣΗ: Συνιστάται να αδειάζετε το δοχείο σκόνης μετά από κάθε χρήση ή όταν η σκόνη είναι μέχρι τη γραμμή μέγιστης πλήρωσης.

Καθαρίστε το δοχείο σκόνης και το φίλτρο

Η ένδειξη LED στο προϊόν θα αναβοσβήνει ΚΟΚΚΙΝΗ για να υποδείξει ότι χρειάζεται καθαρισμός στο φίλτρο του κινητήρα.

1. Πατήστε το κουμπί απελευθέρωσης της μονάδας χειρός και αφαιρέστε τη μονάδα από τον σωλήνα. [5]
2. Πατήστε το κουμπί απελευθέρωσης της μπαταρίας και αφαιρέστε την μπαταρία. [8]
3. Αφαιρέστε το συγκρότημα κάδου σκόνης στρέφοντάς το και τραβώντας το από τη μονάδα. [10]
4. Αφαιρέστε το φίλτρο πριν τον κινητήρα τραβώντας το στήριγμα από το σώμα του κάδου. [11a]
5. Βγάλτε το μονό σύστημα κυκλώνα, τραβώντας τον μεταλλικό δακτύλιο από το σώμα του κάδου.
6. Αφαιρέστε τον εντοπιστή στροβίλου περιστρέφοντας δεξιόστροφα και τραβώντας το από το σύστημα κυκλώνα. [11b]
7. Πλύνετε το φίλτρο και το σύστημα κυκλώνα σε χλιαρό νερό και αφήστε το να στεγνώσει για 24 ώρες. [12,13]
8. Συναρμολογήστε και πάλι όταν στεγνώσει εντελώς και βάλτε το ξανά στο προϊόν.

ΣΗΜΕΙΩΣΗ: Μην χρησιμοποιείτε ζεστό νερό ή απορρυπαντικά κατά τον καθαρισμό του φίλτρου πριν τον κινητήρα. Στην απίθανη περίπτωση που το φίλτρο προ του κινητήρα καταστραφεί, τοποθετήστε γνήσιο ανταλλακτικό Hoover. Βεβαιωθείτε ότι έχετε τοποθετήσει ξανά το φίλτρο πριν από τη συναρμολόγηση του δοχείου σκόνης στο κύριο σώμα της σκούπας, καθώς θα ενεργοποιηθεί ο μηχανισμός προστασίας φίλτρου.

ΕΠΙΣΗΜΑΝΣΗ: Για βέλτιστη απόδοση, κρατήστε πάντα το φίλτρο καθαρό. Συνιστούμε το φίλτρο να πλένεται τουλάχιστον κάθε δύο εβδομάδες.

Αντικατάσταση και Καθαρισμός Αναδευτήρα

ΕΠΙΣΗΜΑΝΣΗ: Να κλείνετε πάντα τη σκούπα πριν από τη φόρτιση και τον καθαρισμό του αναδευτήρα.

1. Αφαιρέστε το ακροφύσιο από τον σωλήνα.
2. Αποσυνδέστε το περύγιο απασφάλισης του αναδευτήρα. Βρίσκεται στο πλευρικό μέρος του ακροφυσίου. [17]
3. Κρατήστε το περύγιο απελευθέρωσης του αναδευτήρα και αφαιρέστε τον αναδευτήρα.
4. Για να καθαρίσετε τον δυνατό κύλινδρο δαπέδου, αφαιρέστε την περίσσεια υπολειμμάτων με ψαλίδι.
5. Επανατοποθετήστε τον αναδευτήρα. Ο αναδευτήρας κουμπώνει μόνο προς μία κατεύθυνση.
6. Κλείστε το περύγιο απελευθέρωσης του αναδευτήρα για να στερωθεί ο αναδευτήρας στη θέση του.

Αντικατάσταση μπαταριών

Αυτή η σκούπα είναι εφοδιασμένη με επαναφορτιζόμενη μπαταρία ιόντων λιθίου, η οποία αντικαθίσταται.

ΠΡΟΣΟΧΗ: Χρησιμοποιείτε μόνο γνήσια ανταλλακτικά Hoover για τη σκούπα σας. Η χρήση μη γνήσιων ανταλλακτικών Hoover είναι επικίνδυνη και θα ακυρώσει την εγγύησή της συσκευής.

ΠΡΟΣΟΧΗ: Μην αποπειραθείτε ανοίξετε τις μπαταρίες για να τις επισκευάσετε μόνοι σας.

1. Πατήστε τα κουμπιά απελευθέρωσης της μπαταρίας και τραβήξτε την έξω. [8]
2. Αφαιρέστε την παλιά συστοιχία μπαταριών και αντικαταστήστε την με καινούρια.
3. Απορρίψτε τις μπαταρίες με ασφαλή τρόπο. Οι χρησιμοποιημένες μπαταρίες πρέπει να προσκομίζονται εν ένα σταθμό ανακύκλωσης και δεν πρέπει να απορρίπτονται με τα οικιακά απορρίμματα.

ΑΝΤΙΜΕΤΩΠΙΣΗ ΠΡΟΒΛΗΜΑΤΩΝ

Εάν αντιμετωπίσετε οποιοδήποτε πρόβλημα με τη σκούπα σας, πριν καλέσετε το Κέντρο Τεχνικής Υποστήριξης Hoover ακολουθείστε τις οδηγίες που αναγράφονται στον πίνακα :

A. Η σκούπα δεν τίθεται σε λειτουργία

Ελέγξτε αν η σκούπα είναι φορτισμένη.

Ελέγξτε αν η μπαταρία έχει τοποθετηθεί στη θέση της.

B. Η σκούπα σταμάτησε να λειτουργεί

Ελέγξτε εάν υπάρχει εμπόδιο στην είσοδο αέρα ή στον σωλήνα, καθαρίστε το και βεβαιωθείτε ότι το προϊόν είναι απενεργοποιημένο. Μόλις γίνει αυτό, απλά πατήστε το κουμπί on/off, το προϊόν θα αρχίσει να λειτουργεί ξανά.

C. Απώλεια απορρόφησης ή καθόλου απορρόφηση.

Αδειάστε τον κάδο σκόνης και πλύνετε το φίλτρο και το διαχωριστικό. Αφαιρέστε το ακροφύσιο και ελέγξτε για τυχόν εμπόδια στον αγωγό.

D. Οι μπαταρίες δεν φορτίζονται

Αυτό μπορεί να συμβεί εάν η συσκευή έχει να χρησιμοποιηθεί για μεγάλο διάστημα (πάνω από εξάμηνο). Επικοινωνήστε με το Κέντρο Τεχνικής Υποστήριξης Hoover για να φροντίσετε για την αντικατάσταση των μπαταριών. Εάν το πρόβλημα παραμένει επικοινωνήστε με το Κέντρο Τεχνικής Υποστήριξης Hoover.

ΑΝΤΑΛΛΑΚΤΙΚΑ ΚΑΙ ΑΝΑΛΩΣΙΜΑ HOOVER

Όταν προκύψει ανάγκη αντικατάστασης εξαρτημάτων χρησιμοποιείτε αποκλειστικά γνήσια ανταλλακτικά Hoover. Τα ανταλλακτικά Hoover διατίθενται από τον τοπικό αντιπρόσωπο Hoover ή απευθείας από τη Hoover. Κατά την παραγγελία εξαρτημάτων να αναφέρετε πάντα τον αριθμό μοντέλου.

Η ΕΓΓΥΗΣΗ ΣΑΣ

Οι όροι ισχύος της εγγύησης της συσκευής καθορίζονται από τον αντιπρόσωπο της χώρας στην οποία έχει πραγματοποιηθεί η πώληση. Περισσότερες πληροφορίες σχετικά με τους όρους εγγύησης μπορείτε να ζητήσετε από τον αντιπρόσωπο που αγοράσατε τη συσκευή. Η προσκόμιση του τιμολογίου ή της απόδειξης αγοράς είναι βασική προϋπόθεση για την ισχύ της εγγύησης.

ΕΠΙΣΗΜΑΝΣΗ : Η μπαταρία σε αυτή τη σκούπα διαθέτει εγγύηση 2 ετών από την ημερομηνία αγοράς. Μετά τα 2 χρόνια ο πελάτης επιβαρύνεται με το κόστος της καινούργιας μπαταρίας.

Ο κατασκευαστής διατηρεί το δικαίωμα να επιφέρει αλλαγές χωρίς προγενέστερη ενημέρωση.

ИНСТРУКЦИИ ПО БЕЗОПАСНОМУ ИСПОЛЬЗОВАНИЮ

Данный прибор предназначен только для домашнего использования в соответствии с описанием, приведенным в настоящем Руководстве пользователя. Прежде чем приступить к эксплуатации данного бытового электроприбора, убедитесь в том, что вы понимаете настоящее руководство.

Перед очисткой или обслуживанием всегда вынимайте вилку из розетки.

Дети старше восьми лет, а также лица со сниженным физическим, сенсорным или умственным развитием или отсутствием опыта или знаний об устройстве могут использовать устройство под присмотром или если они должным образом проинструктированы о безопасном использовании устройства и понимают риски, которые может повлечь собой его использование. С устройством не должны играть дети. Не следует допускать детей к очистке и обслуживанию прибора без присмотра взрослых.

Если провод питания поврежден, немедленно отключите прибор. Во избежание несчастных случаев замену провода должен осуществлять только специалист авторизованного сервисного центра Hoover.

Не приближайте вращающиеся щетки к рукам, ногам, болтающейся одежде и волосам.

Пользуйтесь только оригинальным зарядным устройством, входящим в комплект поставки прибора.

Убедитесь, что напряжение источника питания соответствует параметрам зарядного устройства.

Это пылесос Hoover снабжено зарядным устройством с двойной изоляцией, которое подходит только для включения в розетку с 230V (240 в Великобритании).

Вставьте зарядное устройство в соответствующую розетку и подсоедините разъем зарядного устройства к пылесосу.

Перед зарядкой выключите телефон.

Перед первым использованием зарядите пылесос в течение минимум 24 часов. Светодиодный индикатор аккумуляторной батареи будет гореть красным во время зарядки и станет белым при полной зарядке.

После использования всегда устанавливайте прибор на зарядное устройство с целью подзарядки аккумуляторов.

Запрещается зарядка аккумуляторных батарей при температуре выше 37 C или ниже 0 C.

Совершенно нормально, если во время зарядки коснуться зарядного устройства, то оно будет теплым.

Никогда не отключайте зарядное устройство, потянув за кабель. Отключите зарядное устройство в случае длительного отсутствия (каникулы и т.д.) Перезарядите пылесос снова перед использованием, так как аккумулятор может саморазрядиться за период хранения.

При необходимости утилизации прибора, выньте из него аккумуляторы. Вынимая аккумуляторы, отключите прибор от электросети. Соблюдайте правила техники безопасности при утилизации аккумуляторов. Запустить в работу прибор и дожидаться полной разрядки аккумуляторов. Использованные аккумуляторы необходимо сдавать в специальный пункт приема и не смешивать с обычными бытовыми отходами. Чтобы извлечь аккумуляторы, свяжитесь с Клиентской Службой Hoover или следуйте приведенным далее инструкциям.

ВНИМАНИЕ! Перед тем как извлечь батареи из пылесоса, они должны быть полностью разряжены.

Используйте пылесос до полной разрядки аккумуляторов.

Выньте вилку зарядного устройства из прибора.

Нажмите на клавишу фиксации блока батарей и выньте блок из устройства.

ПРИМЕЧАНИЕ: В случае возникновения каких-либо сложностей с разборкой блока или при необходимости получения более подробной информации об обслуживании, утилизации и переработке данного прибора, обратитесь в местные органы власти или в местную службу по утилизации бытовых отходов.

Используйте только рекомендуемые Hoover насадки, расходные материалы или запасные части.

Статическое электричество: Некоторые типы ковровых покрытий способны накапливать небольшой заряд статического электричества. Разряд статического электричества не представляет опасности для здоровья.

Не применяйте прибор вне помещений, на влажных поверхностях или для сбора жидкостей.

Не используйте прибор для сбора острых предметов, спичек, горячего пепла, окурков или аналогичных объектов. Не распыляйте или не собирайте горючие жидкости, чистящие средства, аэрозоли или прочие пары.

Не перевозите свой прибор через провод питания и не тяните за провод, вынимая вилку из розетки. Не используйте прибор или зарядное устройство, если они неисправны.

Сервисная служба Hoover: Для обеспечения продолжительной, безопасной и эффективной работы данного бытового электроприбора любой вид ремонта рекомендуется производить

только специалистом авторизованного сервисного центра Hoover.
 Не пользуйтесь прибором для очистки животных или людей.
 Не используйте обычные батареи вместо аккумуляторных батарей.

Окружающая среда:

Прибор маркируется согласно Европейской директиве 2011/65/EC по отходам электрического и электронного оборудования (WEEE). Соблюдая правила утилизации данного электроприбора, вы помогаете предотвратить возможные отрицательные последствия для окружающей среды и здоровья человека, которые могли бы иметь место при неправильной утилизации данного устройства. Клеймо на данном устройстве означает, что его нельзя утилизировать как бытовые отходы. Его необходимо доставить в соответствующий пункт утилизации электрического и электронного оборудования. Утилизация должна проводиться в соответствии с местными природоохранительными правилами по утилизации отходов. Для получения более подробной информации по уходу, восстановлению и переработке данного устройства обратитесь к городским властям, в службу утилизации бытовых отходов или в магазин, в котором было куплено изделие.



| | |
|--|---|
| Диапазон частот | 2400Mhz ~ 2483.5Mhz |
| Максимальная мощность РЧ сигнала в пределах частотного диапазона | 802.11 b: +20 dBm 802.11 g: +17 dBm 802.11 n: +14 dBm |

CE 2011/65/EU.и2014/53/EU заявляет, что все приборы отвечают ключевым нормам и требованиям Директив Candy Hoover Group Srl www.candy-group.comДля получения копии Сертификата соответствия, свяжитесь, пожалуйста, с производителем:

CANDY HOOVER GROUP S.r.l. Via Privata Eden Fumagalli, 20861 Brugherio (MB) Italy

КОМПОНЕНТЫ ПЫЛЕСОСА

- | | |
|---|---|
| <ul style="list-style-type: none"> A. Кнопка выключателя питания B. Турбо-кнопка (Turbo) C. Кнопка бесшумного режима D. Включение WIFI E. Контейнер для сбора пыли F. Кнопка спуска откидной крышки G. Кнопка отсоединения рукоятки H. Кнопка отсоединения контейнера I. Трубка J. Кнопка выпуска насадок K. Насадки L. Индикаторы в передней части согла M. Кнопка отсоединения насадки N. Индикатор положения щетки O. Фильтр защиты двигателя P. Циклонный пылеуловитель Q. ТЕХНОЛОГИЯ «SINGLE CYCLONE» | <ul style="list-style-type: none"> R. Светодиодный индикатор питания S. Светодиодный индикатор уровня заряда аккумулятора T. Световой индикатор "идет зарядка аккумулятора" U. Защелка аккумулятора V. Аккумулятор W. Зарядное гнездо аккумулятора X. Зарядное устройство Y. Настенное крепление* Z. Настенное крепление* AA. Встроенная щетка 2 в 1 для уборки пыли и чистки мебели AB. Мини-турбонасадка* AC. Мешок для аксессуаров* AD. Задняя мягкая полоса AE. Валик для интенсивной уборки пола AF. Скребок очистителя AG. Валик глубокой очистки |
|---|---|

ПОДГОТОВКА ПЫЛЕСОСА

Извлеките товар из упаковки.

1. Возьмите насадку и трубу, насадите насадку на верхний конец трубы до защелкивания в фиксированном положении. **[1a]**
2. Установите ручной блок на трубу, насадите его на трубу до защелкивания в фиксированном положении. **[1b]**
3. Закрепите настенное крепление на стене с помощью болтов и заглушек из комплекта поставки. **[2]**
4. Для полного заряда прибора подсоедините разъем зарядного устройства к аккумулятору. Процесс зарядки может занять около 6 часов.

ПРИМЕЧАНИЕ: Чтобы удалить насадку нажмите на кнопку выпуска насадок и вытяните ее из корпуса.

ПРИМЕЧАНИЕ: Для зарядки используйте только зарядное устройство поставляемое с пылесосом. Совершенно нормально, если во время зарядки коснуться зарядного устройства, то оно будет теплым.

* Только у конкретных моделей

ЭКСПЛУАТАЦИЯ ПЫЛЕСОСА

Существует 4 режима работы, которые можно определить по цвету светодиодного индикатора режима питания.

- **СТАНДАРТНЫЙ РЕЖИМ** При нажатии кнопки Вкл/Выкл на корпусе пылесоса, включается режим тщательной уборки при помощи основной подвижной насадки. Светодиодный индикатор белого цвета [3a]
- **Бесшумный режим:** Нажмите кнопку бесшумного режима, чтобы тщательно выполнить очистку с самым низким уровнем шума для этого изделия. Цвет индикатора меняется на зеленый [3b]
- **ТУРБО-РЕЖИМ:** Нажмите кнопку турбо-режима, чтобы запустить прибор на полную мощность для очистки чрезмерно загрязненных участков. Светодиодный индикатор синего цвета [3c]
- **АВТОМАТИЧЕСКИЙ РЕЖИМ:** При снятии насадки или трубы, устройство автоматически подстраивается к более низкой мощности для уборки пола при помощи неподвижных насадок. Светодиодный индикатор синего/голубого цвета.

ИНДИКАТОР ПОЛОЖЕНИЯ ЩЕТКИ

Светодиодный индикатор на насадке будет гореть белым во время всех режимов чистки пола и станет красным при активации системы безопасности. [14]

НАСТРОЙКА Wi-Fi

ПРИМЕЧАНИЕ: Изделие оснащено функцией подключения через wi-fi для улучшения взаимодействия с вашим пылесосом. Эта функция позволяет получать статистические данные об использовании изделия, а также другую полезную информацию о том, как эксплуатировать и осуществлять уход за изделием для обеспечения наилучшей производительности.

Активация

Вы можете включить/выключить Wi-Fi нажатием на кнопку Wi-Fi, как показано на изображении. [3d] LED-индикатор будет мигать, пока пылесос не установит соединение с приложением Hoover Wizard.

1. Вы можете загрузить приложение Hoover Wizard, отсканировав QR-код, расположенный на обложке данного руководства.
2. Установите приложение на ваш смартфон.
3. Выполните инструкции из приложения, чтобы настроить ваш пылесос.

После правильной установки, ваш смартфон подключится автоматически.

СБРОС WIFI

Вы можете выполнить сброс настроек пылесоса, нажав кнопку Wi-Fi на 5 с, пока LED-индикатор не начнет мигать.

Теперь требуется повторно подключить пылесос к приложению.

ПРИМЕЧАНИЕ: после того, как изделие было заблокировано с помощью приложения, вы можете разблокировать его как в приложении, так и одновременно нажав на три секунды кнопки "Turbo" и "Silent" на самом изделии.

ВЫБЕРИТЕ НАИБОЛЕЕ ПОДХОДЯЩИЙ ВАЛИК ДЛЯ ЛУЧШЕЙ ОЧИСТКИ

Валик для интенсивной уборки пола*: рекомендуется использовать для уборки ковровых покрытий, так как он глубоко проникает в ковер для максимальной уборки пыли.

Валик глубокой очистки*: рекомендуется для очистки твердых напольных покрытий или деликатного паркета. Мягкие щетинки аккуратно очищают полы такого типа.

ВНИМАНИЕ! Перед заменой или очисткой вращающейся щетки всегда отключайте прибор от сети.

ПРИМЕЧАНИЕ: Для установки валика удобно будет воспользоваться: [17]

1. Отсоединить откидную защелку вращающейся щетки Она расположена в боковой части сопла.
2. Удерживая откидную защелку, потянуть вращающуюся щетку вниз и снять ее.
3. Заменить на валик для интенсивной уборки пола или на валик глубокой очистки.
4. Вернуть на место откидную защелку вращающейся щетки.

УСТАНОВКА "ЛЕЗВИЙ" ОЧИСТИТЕЛЯ

Для того чтобы получить самое лучшее качество уборки щелей и ковровых покрытий, рекомендуется установить передние и задние "лезвия" очистителя на подошву насадки.

Для этого откройте заслонку для снятия вращающейся щетки и снимите мягкую полосу. Затем закрепите "лезвие" очистителя, вставив один конец в задний паз и вдавите его до конца. Повторите эти операции для второго "лезвия" очистителя и установите в передний паз. Закройте заслонку удерживающую вращающуюся щетку. [16]

* Только у конкретных моделей

ФУНКЦИЯ ХРАНЕНИЯ

После эксплуатации, пылесос может храниться двумя удобными способами

1. ХРАНЕНИЕ НА СТЕНЕ

Пылесос идет в комплекте с настенным креплением для удобного хранения. Закрепите держатель изделия на стене с помощью винтов из комплекта поставки. После эксплуатации, установите пылесос на крепление [2]

2. КОМПАКТНОЕ ХРАНЕНИЕ/ РЕЖИМ ПАРКОВКИ

Для хранения пылесоса на трубе, снимите ручной блок, нажав на кнопку съема ручного блока. [5]

Убедитесь, что корпусная насадка 2 в 1 (AA) установлена на свое исходное место, как было предусмотрено при поставке, при этом насадка полностью села на место, щетка для пыли и позиционный крючок находятся в нижнем положении.

Установите позиционный крючок в нижнюю секцию трубы, поместите заднюю ручку на свое место в запирающем механизме, расположенном в верхней части трубы. [6]

СИСТЕМА ЗАЩИТЫ

Для обеспечения надежной работы прибора в сложных условиях эксплуатации он оснащается 2 встроенными системами защиты, одна на пылесосе, вторая на насадке.

ПРИМЕЧАНИЕ: Система защиты срабатывает в двух случаях:

1. С случае засора в воздуховоде или трубе, система защиты сработает и пылесос выключится, светодиодный индикатор на корпусе пылесоса загорится красным. В таком случае следует проверить воздуховод ручного блока и трубу на наличие засоров Устраните засор и включите пылесос снова.
2. Если при включении вращающаяся щетка заблокирована, она перестает вращаться, а светодиодный белый индикатор на согле загорается красным. [14] В этом случае нужно просто отключить прибор и устранить закупорку на вращающейся щетке. Чтобы продолжить уборку, нажмите выключатель питания, и прибор возобновит работу в обычном режиме.

АККУМУЛЯТОР

Пылесос оснащен светодиодным индикатором состояния заряда. Когда пылесос включен, цвет светодиодного индикатора указывает на уровень заряда аккумулятора:

УРОВЕНЬ ЗАРЯДА АККУМУЛЯТОРА:

Белый: 100% - 70% Идет зарядка

Синий: <70% - 40% Идет зарядка

Красный: <40% - 10% Идет зарядка

Мигающий красный: <10% Идет зарядка

Существует два способа зарядки:

Зарядка аккумулятора, установленного на пылесосе.

Вставьте штекер зарядного устройства в аккумулятор. Во время зарядки индикатор горит красным цветом. По завершению зарядки светодиодный индикатор будет гореть белым в течение 1 минуты, затем выключится. [7]

Возможна зарядка аккумулятора, извлеченного из пылесоса

Извлеките аккумулятор из пылесоса, нажав на кнопку-фиксатор.

Вставьте штекер зарядного устройства в аккумулятор. Светодиодный индикатор зарядки будет гореть красным во время процесса зарядки. По завершению зарядки светодиодный индикатор загорится белым цветом. [8]

ПРИМЕЧАНИЕ: Совершенно нормально, если во время зарядки коснуться зарядного устройства, то оно будет теплым. Используйте только зарядное устройство, поставляемое в комплекте с пылесосом.

ДОПОЛНИТЕЛЬНЫЕ ПРИСПОСОБЛЕНИЯ И ПРИНАДЛЕЖНОСТИ

Щелевая насадка, встроенная на ручной блок, Щелевая насадка, встроенная на трубу,, Насадка 2 в 1 для уборки пыли и чистки мебели. И Мини-турбощетка.

Встроенные щелевые насадки - идеально подходят для узких пространств.

Щетка для удаления пыли - идеально подходит для поверхностей, позволяет избежать появления царапин и других повреждений

Мебельная насадка - идеально подходит для чистки таких поверхностей, как диван

Все насадки и аксессуары устанавливаются на корпус и трубу. [4]

ПРИМЕЧАНИЕ: Насадка минитурбо идеально подходит для очистки текстильных поверхностей (например, диванов) и удаления шерсти животных. Плавное перемещайте вперед и назад. После использования ножницами срежьте намотавшиеся на щетку волосы или нитки.

СУМКА ДЛЯ НАСАДОК*

Дополнительные насадки можно хранить в специальной сумке.

* Только у конкретных моделей

Настенное крепление*

Закрепите настенный держатель изделия на стене с помощью винтов из комплекта поставки.. [2]

ТЕХНИЧЕСКОЕ ОБСЛУЖИВАНИЕ ПЫЛЕСОСА

Обслуживание предмоторного фильтра В случае, если предмоторный фильтр нуждается в техобслуживании, светодиодный индикатор пылесоса начинает мигать красным цветом.

Очистка пылесборника

1. Нажмите на кнопку фиксатора корпуса и снимите трубу [5]
2. Прижмите рычаг опорожнения контейнера для пыли, чтобы открыть откидную крышку и выгрузить мусор из контейнера. [9]
3. Закройте контейнер для пыли, нажав на кнопку фиксатора, при полной фиксации будет слышен щелчок

ПРИМЕЧАНИЕ: Рекомендуется опорожнять контейнер после каждого использования или при его заполнении.

Очистите пылесборник и фильтр

Светодиодный индикатор пылесоса будет мигать красным, что означает, что предмоторный фильтр нуждается в чистке.

1. Нажмите на фиксатор ручного блока для того, чтоб извлечь его из трубы. [5]
2. Нажмите на фиксатор аккумулятора для его извлечения. [8]
3. Извлеките контейнер для пыли, повернув его и потянув его наружу из корпуса пылесоса. [10]
4. Вначале извлеките фильтр защиты двигателя из контейнера. [11a]
5. Извлеките циклонный пылеуловитель, потянув за металлическое кольцо из контейнера.
6. Снимите сливную насадку циклона, повернув по часовой стрелке и потянув из пылеуловителя. [11b]
7. Помойте фильтр и систему пылеуловителя в теплой воде, оставьте сохнуть в течение 24 часов. [12,13]
8. Полностью просушив, соберите фильтр и установите его на место в пылесос.

ПРИМЕЧАНИЕ: Не используйте горячую воду или моющие средства при мойке предмоторного фильтра В случае повреждения предмоторного фильтра, следует заказать оригинальный фильтр Hoover. Убедитесь, что предмоторный фильтр установлен на свое место перед тем, как устанавливать контейнер для сбора пыли в корпус пылесоса, так как в таком случае сработает система защиты фильтра.

ВНИМАНИЕ! Для оптимальной производительности следует содержать фильтр в чистоте. Мы рекомендуем чистить фильтр каждые две недели.

Замена и очистка вращающейся щетки

ВНИМАНИЕ! Перед заменой или очисткой вращающейся щетки всегда отключайте прибор от сети.

1. Снимите насадку с трубы.
2. Отсоединить откидную защелку вращающейся щетки Она расположена в боковой части сопла. [17]
3. Удерживайте заслонку разблокировки смесителя и снимите смеситель.
4. Для очистки интенсивного напольного ролика удалите излишний мусор с помощью ножниц.
5. Установите смеситель на место. Смеситель можно устанавливать только в одном направлении.
6. Закройте заслонку разблокировки смесителя, чтобы закрепить его в своем положении.

Замена батарей

Пылесос идет в комплекте с заряжаемой литий-ионным аккумулятором, который может быть заменен.

ВНИМАНИЕ: Пользуйтесь только утвержденными запасными частями для вашего пылесоса. Использование запасных частей, которые не одобрены компанией Hoover, является опасным и приведет к аннулированию вашей гарантии.

ВНИМАНИЕ: Не пытайтесь вскрывать аккумулятор и ремонтировать его самостоятельно.

1. Нажмите на фиксатор аккумулятора и извлеките его наружу. [8]
2. Замените старый аккумулятор на новый.
3. Соблюдайте правила техники безопасности при утилизации аккумуляторов. Использованные аккумуляторы необходимо сдавать в специальный пункт приема и не смешивать с обычными бытовыми отходами.

ПОИСК И УСТРАНЕНИЕ НЕИСПРАВНОСТЕЙ

Если у вас есть какие-либо проблемы с пылесосом, пожалуйста, выполните простую проверку перед звонком в центр обслуживания клиентов компании Hoover:

A. Пылесос не включается

Проверьте зарядку пылесоса.

Проверьте, правильно ли установлен аккумулятор.

В. Сработал блокиратор пылесоса

Проверьте воздуховод и трубу на наличие засоров, устраните их и убедитесь, что пылесос находится в выключенном состоянии. После совершения этой процедуры, нажмите на кнопку включения, пылесос будет работать снова.

С. Потеря всасывания или не всасывание

Очистите контейнер для пыли, промойте предмоторный фильтр и сепаратор. Снимите насадку и проверьте шланг на закупорки.

Д. Аккумулятор не заряжается

Такое может случиться в результате длительного простоя (более полугода).

Свяжитесь с центром обслуживания клиентов Hoover для организации замены аккумулятора.

Если проблема не устранена, обратитесь в центр обслуживания клиентов компании Hoover.

ЗАПАСНЫЕ ЧАСТИ И РАСХОДНЫЕ МАТЕРИАЛЫ К ПЫЛЕСОСАМ HOOVER

При замене частей используйте только оригинальные запасные части и расходные материалы компании Hoover. Их можно приобрести у вашего местного дилера компании Hoover или непосредственно в компании Hoover. При оформлении заказа на запасные части обязательно указывайте номер модели пылесоса.

ВАША ГАРАНТИЯ

Условия гарантии для данного бытового электрического прибора определяются нашим представительством в той стране, в которой этот электроприбор был куплен. Более подробную информацию об этих условиях вы можете получить от нашего дилера. При предъявлении претензий по условиям данных гарантийных обязательств необходимо предъявить чек или квитанцию на проданный товар.

ВНИМАНИЕ! Гарантия на аккумулятор в данном пылесосе - 2 года со дня покупки. После окончания гарантийного срока покупатель несет ответственность за приобретение нового аккумулятора.

Изменения могут быть внесены без предварительного уведомления.

INSTRUKCJE BEZPIECZNEGO UŻYTKOWANIA

Urządzenie to jest przeznaczone wyłącznie do użytku domowego w sposób opisany w niniejszej instrukcji użytkownika. Prosimy o dokładne zapoznanie się z instrukcją przed rozpoczęciem używania odkurzacza.

Należy zawsze wyłączyć i wyjąć ładowarkę z gniazdka przed przystąpieniem do czyszczenia urządzenia lub wykonaniem jakichkolwiek czynności konserwacyjnych.

Urządzenie mogą obsługiwać dzieci w wieku co najmniej 8 lat, osoby o ograniczonych zdolnościach fizycznych, sensorycznych lub mentalnych, a także osoby nieposiadające odpowiedniego doświadczenia oraz wiedzy, jedynie pod warunkiem że odbywać się będzie to pod nadzorem lub po przeszkoleniu na temat bezpiecznego użycia urządzenia oraz związanych z nim zagrożeń. Dzieci nie mogą bawić się urządzeniem. Urządzenia nie powinny czyścić ani konserwować dzieci bez nadzoru.

Jeśli przewód zasilający uległ uszkodzeniu, należy natychmiast zaprzestać korzystania z urządzenia. Ze względów bezpieczeństwa, przewód zasilający powinien zostać wymieniony przez serwisanta autoryzowanego punktu serwisowego firmy Hoover.

Nie zbliżać rąk, stóp, luźnej odzieży ani włosów do obracających się szczotek.

Należy stosować wyłącznie ładowarkę dostarczoną wraz z urządzeniem.

Należy sprawdzić, czy napięcie zasilania w gniazdku jest zgodne z podanym na tabliczce znamionowej ładowarki.

Niniejsze urządzenie Hoover zasilane jest podwójnie izolowaną ładowarką akumulatorów, która może być podłączana do gniazd 230V (UK 240V).

Podłączyć ładowarkę od odpowiedniego gniazdka, a przewód ładowarki do urządzenia.

Przed ładowaniem należy wyłączyć urządzenie.

Przed pierwszym użyciem urządzenie należy ładować przez co najmniej 24 godziny. Dioda LED akumulatora zaświeci się na CZERWONO podczas ładowania i zmieni kolor na BIAŁY po całkowitym naładowaniu.

Po użyciu ponownie podłączyć urządzenie do ładowarki, aby doładować akumulator.

Nigdy nie ładować akumulatorów w temperaturze powyżej 37°C lub poniżej 0°C.

Nieznaczne nagrzewanie się ładowarki podczas ładowania jest normalnym zjawiskiem.

NIE wyjmować wtyczki ładowarki z gniazdka, ciągnąc za przewód zasilający.

W razie dłuższej nieobecności (urlop itp.) odłączyć ładowarkę od zasilania. Po dłuższej przerwie w eksploatacji urządzenie należy doładować przed użyciem, ponieważ bezczynność powoduje rozładowanie akumulatorów.

Jeżeli urządzenie ma być złomowane, należy z niego najpierw usunąć akumulatory. Podczas wyjmowania akumulatora urządzenie musi być odłączone od zasilania. Akumulatory należy utylizować w sposób bezpieczny dla środowiska. Włączyć urządzenie i pozwolić, aby pracowało aż do całkowitego wyczerpania akumulatorów. Zużyte akumulatory należy przekazać do recyklingu. Nie należy ich wyrzucać ze śmieciami domowymi. W celu wyjęcia akumulatorów należy skontaktować się z Centrum Serwisowym Hoover lub postępować zgodnie z następującymi instrukcjami.

WAŻNE: Przed usunięciem należy całkowicie rozładować akumulatory.

Włączyć odkurzacz i pozwolić, aby pracował aż do pełnego wyczerpania akumulatorów.

Wyjąć wtyczkę przewodu ładowarki z urządzenia.

Naciśnij przyciski zwalniające zestaw baterii i wysuń go.

UWAGA: W razie napotkania jakichkolwiek problemów z demontażem jednostki lub w razie konieczności uzyskania dodatkowych informacji na temat sposobu utylizacji, złomowania i recyklingu urządzenia należy skontaktować się z lokalnym urzędem gminy lub komunalnym zakładem utylizacji odpadów.

Należy korzystać wyłącznie z końcówek, materiałów eksploatacyjnych oraz części zamiennych zalecanych lub dostarczonych przez firmę Hoover.

Ładunki elektrostatyczne: Odkurzanie niektórych dywanów może powodować niewielkie naelektryzowanie się urządzenia. Tego rodzaju ładunki elektrostatyczne nie stanowią zagrożenia dla zdrowia.

Nie używać urządzenia na zewnątrz domu, do odkurzania mokrych powierzchni ani do zbierania wody.

Nie wolno wciągać twardych lub ostrych przedmiotów, zapalek, gorącego popiołu, niedopałków papierosów ani innych podobnych przedmiotów. Nie spryskiwać łatwopalnymi cieczami, środkami czyszczącymi w aerozolu ani parą.

Nie stąpać po przewodzie zasilającym podczas korzystania z urządzenia i nie wyjmować wtyczki, ciągnąc za przewód zasilający. Nie wolno kontynuować eksploatacji uszkodzonego urządzenia lub ładowarki.

Serwis firmy Hoover: Aby zapewnić bezpieczne i sprawne działanie tego urządzenia, zalecamy zlecenie prac serwisowych lub napraw wyłącznie serwisantom autoryzowanego punktu serwisowego firmy Hoover.

Nie używać urządzenia do odkurzania ludzi lub zwierząt.

Nie wolno stosować jednorazowych baterii zamiast akumulatorów.

Ochrona środowiska:

Niniejsze urządzenie posiada oznaczenia zgodnie z Dyrektywą Europejską nr 2011/65/WE w sprawie zużytego sprzętu elektrycznego i elektrotechnicznego (WEEE). Zapewniając prawidłowe złomowanie niniejszego urządzenia, przyczyniają się Państwo do ograniczenia ryzyka wystąpienia negatywnego wpływu produktu na środowisko i zdrowie ludzi, które mogłoby zaistnieć w przypadku niewłaściwej utylizacji urządzenia. Symbol umieszczony na produkcie lub na dołączonych do niego dokumentach oznacza, że niniejszy produkt nie jest klasyfikowany jako odpad z gospodarstwa domowego. Urządzenie należy zdać w odpowiednim punkcie utylizacji w celu recyklingu komponentów elektrycznych i elektronicznych. Urządzenie należy złomować zgodnie z lokalnymi przepisami w sprawie utylizacji odpadów. Dodatkowe informacje na temat sposobu utylizacji, złomowania i recyklingu urządzenia można uzyskać w lokalnym urzędzie miejskim, w komunalnym zakładzie utylizacji odpadów lub w sklepie, w którym produkt został zakupiony.



| | |
|---|---|
| Pasma częstotliwości | 2400Mhz ~ 2483.5Mhz |
| Maksymalna moc sygnału radiowego przenoszonego w paśmie częstotliwości | 802.11 b: +20 dBm 802.11 g: +17 dBm 802.11 n: +14 dBm |

Candy Hoover Group Srl niniejszym oświadcza, że urządzenie oznaczone znakiem spełnia podstawowe wymogi Dyrektyw 2014/53/UE oraz 2011/65/UE. Aby otrzymać kopię deklaracji zgodności, proszę skontaktować się z producentem na stronie: www.candy-group.com

CANDY HOOVER GROUP S.r.l. Via Privata Eden Fumagalli, 20861 Brugherio (MB) Italy

KOMPONENTY URZĄDZENIA

- | | |
|---|---|
| <ul style="list-style-type: none"> A. Przycisk ON/OFF B. Przycisk Turbo C. Przycisk wyciszania D. Przycisk WIFI E. Pojemnik na kurz F. Przycisk zwolnienia kłapy pojemnika na kurz G. Ręczny przycisk zwalnający H. Przycisk zwalnający przechowywanie I. Rura J. Przycisk zwalniania końcówki K. Końcówka L. Przednie diody led końcówki M. Kłapka zwalnająca końcówkę N. Dioda Led statusu wałka szczotki O. Filtr przed silnikiem P. Rurka wirowa pojedynczego cyklonu Q. Pojedynczy cyklon | <ul style="list-style-type: none"> R. Dioda LED trybu zasilania S. Dioda LED statusu akumulatora T. Kontrolka ładowania akumulatora U. Przycisk zwalniania akumulatora V. Zestaw akumulatorów W. Wejście ładowania akumulatora X. Ładowarka Y. Wspornik do montażu na ścianie* Z. Śruby wspornika do montażu na ścianie* AA. Zintegrowana 2w1 Szczotka do mebli i Końcówka do kurzu AB. Turboszczotka mini* AC. Worek na akcesoria* AD. Tył miękkiej pasek AE. Wałek do intensywnego czyszczenia podłogi AF. Pióra wycieraczki AG. Rolka do głębokiej pielęgnacji |
|---|---|

PRZYGOTOWYWANIE ODKURZACZA

Ostrożnie wyjmij produkt z opakowania.

1. Podnieś szczotkę i rurę przedłużającą, zamontuj jeden koniec rury na zwiężeniu szczotki. Poprawny montaż potwierdza "kliknięcie". **[1a]**
2. Podnieś urządzenie przenośne i zamontuj je na rurze. Poprawny montaż potwierdza "kliknięcie". **[1b]**
3. Zamocuj wspornik na ścianie wykorzystując dostarczone śruby i wkręty. **[2]**
4. Aby całkowicie naładować urządzenie, podłącz wtyczkę przewodu ładowarki do urządzenia. Potrwa to ok. 6 godzin.

UWAGA: Aby wyjąć końcówkę, nacisnąć przycisk zwalnający końcówkę i wyciągnąć ją z obudowy odkurzacza.

UWAGA: Do ładowania należy stosować wyłącznie ładowarkę dostarczoną wraz z urządzeniem. Niezaczne nagrzewanie się ładowarki podczas ładowania jest normalnym zjawiskiem.

* Tylko w niektórych modelach

KORZYSTANIE Z ODKURZACZA

Istnieją 4 tryby pracy, które można rozpoznać na podstawie koloru diody LED trybu zasilania.

- **TRYB STANDARDOWY:** Po naciśnięciu przycisku ON-OFF urządzenie czyszczące jest gotowe do dokładnego czyszczenia za pomocą głównej końcówki z napędem elektrycznym. Dioda LED świeci się na biało. [3a]
- **Tryb cichy:** Naciśnij przycisk ściszenia, aby dokładnie odkurzać przy najniższym możliwym poziomie hałasu dla tego produktu. Światło zmienia kolor na zielony. [3b]
- **TRYB TURBO:** Naciśnij przycisk Turbo, aby uzyskać pełną moc czyszczenia twardych powierzchni. Dioda LED świeci na niebiesko. [3c]
- **TRYB AUTO:** Po zdjęciu końcówki lub rurki produkt automatycznie dostosowuje się do niższej mocy czyszczenia podłóg przy użyciu narzędzi bez napędu elektrycznego. Dioda LED świeci się na niebiesko/w kolorze cyjan .

STATUS WAŁKA SZCZOTKI

Dioda LED statusu wałka szczotki na końcówce będzie świecić na biało podczas wszystkich trybów czyszczenia podłogi i zmienia kolor na czerwony, jeśli system zabezpieczający jest aktywny. [14]

USTAWIENIE Wi-Fi

UWAGA: Ten produkt umożliwia połączenie WiFi w celu zwiększenia interakcji z odkurzaczem. Pozwala to na uzyskanie statystyk dotyczących wykorzystania produktu, najlepszego sposobu wykorzystania i monitorowania ogólnej konserwacji produktu w celu zagwarantowania jego wydajności.

Uruchamianie

WiFi można włączyć i wyłączyć, naciskając przycisk WiFi, jak pokazano na schemacie. [3d] Kiedy odkurzacz podłączony jest do aplikacji Hoover Wizard, dioda LED przez cały czas miga.

1. Aplikację Hoover Wizard można pobrać, skanując kod QR znajdujący się na okładce tego podręcznika.
2. Zainstaluj aplikację na swoim smartfonie.
3. Skonfiguruj odkurzacz, postępując zgodnie z instrukcjami w aplikacji.

Po prawidłowym zainstalowaniu smartfon połączy się automatycznie z urządzeniem.

RESETOWANIE WIFI

Aby zresetować odkurzacz, naciśnij i przytrzymaj przycisk WiFi przez 5 sekund, aż zacznie migać dioda LED. Ponownie podłącz odkurzacz do aplikacji.

UWAGA: Po zablokowaniu produktu za pomocą aplikacji można go odblokować zarówno przez aplikację, jak i naciskając jednocześnie i przytrzymując przez 3 sekundy przycisk „Tryb turbo” i „Tryb cichy”.

WYBIERZ ROLKĘ ODPOWIEDNIĄ DO CZYSZCZENIA DANEGO RODZAJU POWIERZCHNI

Wałek do intensywnego czyszczenia podłogi*: Zaleca się do czyszczenia dywanów w celu usunięcia głęboko zalegającego kurzu.

Rolka do głębokiej pielęgnacji*: Zaleca się do czyszczenia twardej podłogi lub delikatnego parkietu. Dzięki miękkiemu włosiu można delikatnie czyścić podłogi tego rodzaju.

WAŻNE: Zawsze wyłączać odkurzacz przed wymianą oraz czyszczeniem szczotki obrotowej.

UWAGA: Aby zamontować Rolkę potrzebujesz: [17]

1. Wyjmij zaganiacz zwalniając klapkę. Jest ona umieszczona z boku ssawki.
2. Przytrzymaj klapkę i pociągnij w dół element zagarniający.
3. Wymień na Rolkę do intensywnego czyszczenia podłogi lub Rolkę do głębokiej pielęgnacji.
4. Umieść w odpowiedniej pozycji i opuść klapkę.

MONTAŻ PIÓRA

Aby uzyskać najlepszą wydajność czyszczenia szczelin i dywanów, załóż przednie i tylne pióro na stopie ssawki.

W tym celu otwórz klapkę elementu zagarniającego i wyjmij miękki pasek. Chwyć pióro wycieraczki i wsuń jeden koniec do gniazda i wcisnij ją aż do oporu. Powtórz te operacje dla drugiego pióra wycieraczki, wsuwając ją do przedniego gniazda. Zamknij pokrywę elementu zagarniającego. [16]

* Tylko w niektórych modelach

FUNKCJA PRZECHOWYWANIA

Po użyciu Twój odkurzacz może być przechowywany na 2 wygodne sposoby.

1. PRZECHOWYWANIE NA ŚCIANIE

Do Twojego produktu dołączony jest uchwyt ścienny dla wygodnego i łatwego przechowywania. Za pomocą dołączonych śrub przymocuj uchwyt ścienny do ściany. Po prostu odwieś odkurzacz po zakończeniu jego użytkowania. [2]

2. PRZECHOWYWANIE KOMPAKTOWE/TRYB PRZERWY W PRACY

Aby przechowywać produkt na rurze, należy wyjąć urządzenie przenośne, naciskając przycisk zwalniający. [5]

Upewnij się, że urządzenie do przechowywania 2 w 1 (**AA**) powróciło do pozycji wyjściowej w zestawie, upewniając się, że narzędzie znajduje się w pełni w na swoim miejscu, a szczotka do odkurzania i hak znajduje się w pozycji dolnej.

Zamontuj hak w dolnym rowku na rurze i wepchnij całkowicie tylną rączkę do wnętrza mechanizmu blokującego znajdującego się w górnej części rury. [6]

SYSTEM BEZPIECZEŃSTWA

Aby zapewnić, że niezawodność produktu nie ulegnie pogorszeniu w przypadku użytkowania w trudnych warunkach, produkt jest wyposażony w dwa zintegrowane systemy zabezpieczające, jeden na środku czyszczącym, a drugi na szczotce.

UWAGA: System zabezpieczający zostanie uruchomiony w dwóch sytuacjach:

1. jeżeli przy wlocie powietrza lub na rurze znajdują się przeszkody, urządzenie czyszczące będzie chronione i wyłączone, a dioda LED umieszczona na korpusie produktu zmieni kolor na czerwony. Jeśli tak się stanie, należy sprawdzić, czy nie ma żadnych przeszkód w rurze lub we wlocie powietrza urządzenia przenośnego. Należy je usunąć i włączyć ponownie urządzenie.
2. jeśli wirnik jest zablokowany, to po uruchomieniu wirnik przestanie się obracać, a biała dioda LED na szczotce zmieni kolor na CZERWONY. [14] W takim przypadku należy wyłączyć urządzenie i wyczyścić zator na mieszadle. Aby zakończyć czyszczenie, należy nacisnąć przycisk ON/OFF; urządzenie wznowi pracę w normalnym trybie.

AKUMULATOR

Ten odkurzacz jest wyposażony w diodę LED stanu akumulatora. Gdy produkt jest włączony, dioda LED świeci w różnych kolorach, aby pokazać poziom naładowania akumulatora.

POZIOM NAŁADOWANIA AKUMULATORA:

Kolor biały: 100% - 70% ładowanie

Kolor niebieski: <70% - 40% ładowanie

Kolor czerwony: <40% - 10% ładowanie

Miganie na czerwono: <10% ładowanie

Istnieją 2 sposoby ładowania:

Można naładować akumulator po jego wcześniejszym zamontowaniu na produkcie.

Włóż wtyczkę ładowarki do akumulatora. Wskaźnik LED statusu świeci się na CZERWONO podczas ładowania. Po zakończeniu ładowania wskaźnik LED statusu zaświeci się na BIAŁO przez 1 minutę, a następnie wyłączy się. [7]

Ładowanie akumulatora po jego wyjęciu z produktu.

Należy wyjąć akumulator z produktu, naciskając przyciski zwalniające akumulator.

Włóż wtyczkę ładowarki do akumulatora. Podczas ładowania dioda LED akumulatora będzie świeciła się na CZERWONO. Po zakończeniu ładowania wskaźnik LED zaświeci się na BIAŁO. [8]

UWAGA: Nieznaczne nagrzewanie się ładowarki podczas ładowania jest normalnym zjawiskiem. Stosować wyłącznie ładowarkę dostarczoną w komplecie z odkurzaczem.

DODATKOWE AKCESORIA

NARZĘDZIE SZCZELINOWE ZINTEGROWANE Z URZĄDZENIEM PRZENOŚNYM, NARZĘDZIE SZCZELINOWE ZINTEGROWANE NA RURZE, 2W1 NARZĘDZIE DO MEBLI & SZCZOTKA DO KURZU I MINI TURBO SZCZOTKA.

Zintegrowana ssawka szczelinowa - idealna, aby dostać się do wąskich miejsc.

Szczotka do kurzu - idealna do czyszczenia powierzchni bez ryzyka ich uszkodzenia lub zarysowania.

Szczotka do mebli - idealna do czyszczenia powierzchni takich jak sofy.

Wszystkie akcesoria można zamontować na korpusie oraz na rurze. [4]

UWAGA: Szczotka miniturbo idealnie nadaje się do czyszczenia powierzchni tapicerowanych (np. sof) oraz do usuwania sierści zwierząt domowych. Miarowo przesuwaj do przodu i do tyłu. Po użyciu należy usunąć sierść/kłaczki ze szczotki. W razie potrzeby użyć do tego nożyczek.

WOREK NA AKCESORIA*

Dodatkowe akcesoria można przechowywać w worku na akcesoria.

* Tylko w niektórych modelach

Wspornik do montażu na ścianie*

Należy zawiesić uchwyt ścienny na ścianie za pomocą dwóch wkrętów dołączonych do produktu w celu zawieszenia produktu. [2]

KONSERWACJA URZĄDZENIA

Przypomnienie o konserwacji filtra wstępnego. Jeśli filtr wstępny wymaga konserwacji, czerwone światło na odkurzaczu zaczyna migać na czerwono.

Opróżnianie pojemnika na kurz

1. Press the main body release button and remove the tube. [5]
2. Nacisnąć przycisk opróżniania pojemnika na kurz, aby zwolnić kłapkę pokrywy, aby opróżnić pojemnik. [9]
3. Po zamknięciu przycisku zwalniania kłapki pojemnika na kurz, usłyszysz kliknięcie po jego całkowitym zablokowaniu

UWAGA: Zaleca się opróżnianie pojemnika na kurz po każdym użyciu oraz zawsze wtedy, kiedy kurz sięga linii poziomu maksymalnego napełnienia.

Czyszczenie pojemnika na kurz i filtra

Wskaźnik LED na produkcie zacznie migać na czerwono, wskazując, że należy wyczyścić filtr wstępny silnika.

1. Nacisnąć przycisk ręcznego zwalniania i zdjąć urządzenie przenośne z rury. [5]
2. Nacisnąć przycisk zwalniania akumulatora i wyjąć akumulator. [8]
3. Wyjąć zestaw pojemnika na kurz, obracając go i odsuwając od urządzenia. [10]
4. Najpierw należy usunąć filtr przed silnik, wyciągając wspornik z zespołu pojemnika. [11a]
5. Następnie należy wyjąć system pojedynczego cyklonu, wyciągając metalowy pierścień z zespołu pojemnika.
6. Należy usunąć rurkę wirową, obracając ją w kierunku zgodnym z ruchem wskazówek zegara i wyciągnąć z systemu cyklonowego. [11b]
7. Umyć filtr i system pojedynczego cyklonu w letniej wodzie i pozostawić do wyschnięcia na **24 godziny**. [12,13]
8. Po całkowitym wyschnięciu zmontować ponownie filtr.

UWAGA: Nie używać gorącej wody ani detergentów do czyszczenia filtra przed silnikiem. W mało prawdopodobnym przypadku uszkodzenia filtra przed silnikiem należy zamontować oryginalną część zamienną Hoovera. Przed zamontowaniem pojemnika na kurz należy upewnić się, że filtr przed silnikiem został ponownie zamontowany w korpusie produktu, ponieważ zostanie aktywowany mechanizm zabezpieczający filtr.

WAŻNE: Dla optymalnej wydajności, zawsze utrzymuj filtr w czystości. Zalecamy mycie filtra co najmniej raz na dwa tygodnie.

Wymiana i czyszczenie zagarniacza

WAŻNE: Zawsze wyłączać odkurzacz przed wymianą oraz czyszczeniem szczotki obrotowej.

1. Usunąć szczotkę z rury.
2. Wyjmij zagarniacz zwalnając kłapkę. Jest ona umieszczona z boku ssawki. [17]
3. Przytrzymaj kłapkę zwalnającą szczotkę obrotową i wyjmij ją.
4. Aby wyczyścić Rolkę do intensywnego czyszczenia podłogi, usuń nagromadzone nieczystości za pomocą nożyczek.
5. Ponownie zamontuj szczotkę obrotową. Rolkę obrotową można mocować tylko w jednym kierunku.
6. Zamknij kłapkę zwalnającą szczotkę obrotową, aby zablokować ją w odpowiedniej pozycji.

Wymiana akumulatorów

Ten odkurzacz jest wyposażony w akumulator litowo-jonowy, który można wymieniać.

Ostrzeżenie: W odkurzaczu stosować wyłącznie zatwierdzone części zamienne. Używanie innych części niż te zatwierdzone przez firmę Hoover, jest niebezpieczne i powoduje utratę gwarancji urządzenia.

Ostrzeżenie: Nie próbować otwierać lub samodzielnie naprawiać zestawu akumulatorów.

1. Nacisnąć przyciski zwalnające akumulator i wyjąć akumulator. [8]
2. Wyjąć stary zestaw akumulatorów i wymienić na nowy.
3. Akumulatory należy utylizować w sposób bezpieczny dla środowiska. Zużyte akumulatory należy przekazać do recyklingu. Nie należy ich wyrzucać ze śmieciami domowymi.

ROZWIĄZYWANIE PROBLEMÓW

W razie wystąpienia jakiegokolwiek problemu z urządzeniem przed skontaktowaniem się z lokalnym serwisem firmy Hoover należy przeprowadzić proste kontrole zgodnie z poniższą listą:

A. Odkurzacz się nie włącza

Sprawdzić, czy odkurzacz jest naładowany.

Upewnić się, że zestaw bateryjny jest poprawnie zamocowany.

B. Przerwanie pracy odkurzacza

Należy sprawdzić, czy nie ma przeszkód w dopływie powietrza lub w rurze, oczyścić ją i upewnić się, że produkt jest wyłączony. Po wykonaniu tej czynności wystarczy nacisnąć przycisk włączania/wyłączania, a produkt ponownie zacznie działać.

C. Utrata mocy ssania lub brak ssania

Opróżnić pojemnik na kurz i umyć filtr i separator.

Zdjąć końcówkę i sprawdzić, czy wąż lub rura nie są zatkane.

D. Nie można naładować akumulatorów

Może to wynikać z bardzo długiego okresu bezczynności (ponad pół roku).

Skontaktować się z centrum serwisowym firmy Hoover, aby zlecić wymianę akumulatorów.

Jeżeli problem nie znika, skontaktować się z centrum serwisowym firmy Hoover.

CZĘŚCI ZAPASOWE I MATERIAŁY EKSPLOATACYJNE MARKI HOOVER

Należy zawsze wymieniać części na oryginalne części zapasowe firmy Hoover. Można je nabyć w lokalnym serwisie firmy Hoover lub bezpośrednio w firmie Hoover. Przy zamawianiu części zawsze należy podać numer danego modelu.

GWARANCJA

Warunki gwarancji na niniejsze urządzenie są określone przez naszego przedstawiciela w kraju, w którym urządzenie jest sprzedawane. Szczegółowe informacje na temat warunków gwarancji można uzyskać w punkcie, w którym urządzenie zostało nabyte. Przy zgłaszaniu wszelkich roszczeń w ramach gwarancji należy przedstawić dowód sprzedaży lub pokwitowanie.

WAŻNE: Bateria w tym odkurzaczu jest objęta gwarancją przez 2 lata od daty zakupu. Po okresie 2 lat użytkownik jest odpowiedzialny za zapewnienie nowej baterii.

Zastrzegamy sobie możliwość wprowadzania zmian bez wcześniejszego powiadomienia.

NÁVOD K BEZPEČNÉMU POUŽITÍ

Tento vysavač by měl být používán pouze pro úklid domácnosti a v souladu s touto uživatelskou příručkou. Než začnete spotřebič používat, ujistěte se, že rozumíte tomuto návodu.

Před čištěním nebo jakoukoli údržbou zařízení vždy vypněte a síťovou šňůru vytáhněte ze zásuvky.

Tento přístroj smí používat děti od 8 let výše a osoby se sníženými fyzickými, smyslovými nebo mentálními schopnostmi nebo s nedostatkem zkušeností a znalostí, pokud jsou pod dohledem nebo jim byly dány pokyny týkající se bezpečného používání tohoto přístroje a byly seznámeny s možnými riziky jeho používání. S přístrojem se nesmí hrát děti. Čištění a údržbu nesmí provádět děti bez dohledu.

Jestliže je poškozena síťová šňůra, okamžitě přestaňte zařízení používat. Síťovou šňůru musí vyměnit autorizovaný servisní technik společnosti Hoover, aby se předešlo ohrožení bezpečnosti.

Udržujte dostatečnou vzdálenost rukou, nohou, volného oděvu a vlasů z dosahu otočných kartáčů.

Pro dobíjení používejte pouze nabíječku dodanou se zařízením.

Zkontrolujte, zda údaje na štítku nabíječky odpovídají hodnotám síťového napětí.

Tento vysavač společnosti Hoover je vybaven dvojitě odizolovanou nabíjecí baterií, která je vhodná k zapojení pouze do zástrčky 230V (UK 240V).

Zapojte nabíječku do vhodné zásuvky a konektor nabíječky připojte k vhodnému výstupu na vysavači.

Před nabíjením spotřebič vypněte.

Před prvním použitím přístroj nabíjejte nejméně 24 hodin. Během nabíjení se rozsvítí LED dioda baterie ČERVENĚ a při plném nabití se rozsvítí BÍLE.

Po použití znovu připojte přístroj k nabíječce k dobití baterie.

Důležité: Nikdy nenabíjejte akumulátor při teplotě vyšší než 37°C nebo nižší než 0°C.

Je běžné, že při nabíjení se nabíječka zahřívá.

Nevytahujte nabíječku ze zásuvky taháním za síťový kabel.

V případě delší nepřítomnosti (dovolená apod.) nabíječku odpojte. Přístroj před použitím znovu dobijte, protože baterie by se při delší době skladování mohly vybit samy.

Před likvidací vysavače z něj nejprve vyjměte baterie. Před odstraněním baterie se ujistěte, že výrobek je odpojen od elektrické sítě. Zlikvidujte baterie bezpečně a ekologicky. Používejte zařízení dokud baterie nejsou naprosto vybité. Použité baterie by měly být přijaté do recyklační stanice a nesmějí být vyhazované dohromady s domovním odpadem. Pro vyjmutí baterií prosím kontaktujte Zákaznické servisní středisko Hoover, které najdete na internetových stránkách www.candy-hoover.cz nebo postupujte podle následujících pokynů:

DŮLEŽITÉ UPOZORNĚNÍ: Před vyjmutím je nutno baterii zcela vybit.

Nechte vysavač zapnutý, dokud nebudou baterie zcela vybité.

Odpojte nabíječku od spotřebiče.

Stiskněte tlačítko uvolnění baterie a posunutím jí vyndejte.

POZNÁMKA: Budete-li mít při demontáži jednotky jakékoli problémy nebo budete-li požadovat podrobnější informace o manipulaci, využití a recyklaci tohoto výrobku, kontaktujte prosím místní úřad nebo středisko sběrných surovin.

Používejte výhradně příslušenství, spotřební materiály a náhradní díly doporučené nebo dodávané firmou Hoover.

Statická elektřina: Při čištění některých koberců vzniká malé množství statické elektřiny. Výboje statické elektřiny neohrožují zdraví.

Nepoužívejte Vaše zařízení venku, nebo na mokré povrchy a na mokrá vysávání.

Nevysávejte tvrdé nebo ostré předměty, zápalky, žhavý popel, cigaretové nedopalky a podobné předměty. Nestříkejte nebo nevysávejte hořlavé kapaliny, čisticí tekutiny, aerosoly nebo jejich výpary.

Během použití zařízení nepřejíždějte přes síťovou šňůru a nevytahujte síťový kabel ze zásuvky taháním za šňůru. Nepoužívejte zařízení nebo nabíjení, pokud vám připadá vadné.

Servis Hoover najdete na internetových stránkách www.candy-hoover.cz Spolehlivý provoz a vysoká účinnost tohoto spotřebiče jsou zajištěny pouze v případě, že bude prováděn pravidelný servis a opravy, které musí zajišťovat autorizovaný servisní technik společnosti Hoover.

Nepoužívejte zařízení pro čištění zvířat a osob.

Nenahrazujte baterie jinými, které nelze dobít.

Životní prostředí:

Tento spotřebič je označen v souladu s Evropskou Směrnicí 2011/65/ES o omezení používání nebezpečných látek v elektrických a elektronických zařízeních (WEEE). Zajištěním správné likvidace tohoto výrobku pomůžete předcházet případným negativním důsledkům pro životní prostředí a lidské zdraví, které mohou být v opačném případě způsobeny nesprávnou likvidací tohoto výrobku. Symbol na výrobku označuje, že tento výrobek nesmí být likvidován jako domovní odpad. Měl by být předán na příslušné místo sběru pro recyklaci elektrických a elektronických zařízení. Likvidace musí proběhnout v souladu s místními ekologickými předpisy pro likvidaci odpadu. Další informace o manipulaci, novém využití a recyklaci tohoto výrobku získáte na místním obecním úřadě, u služby pro sběr domovního odpadu nebo v prodejně, kde jste výrobek zakoupili.



| | |
|--|---|
| Frekvenční pásma | 2400Mhz ~ 2483.5Mhz |
| Maximální výkon RF ve frekvenčním pásmu | 802.11 b: +20 dBm 802.11 g: +17 dBm 802.11 n: +14 dBm |

CE Tímto společnost Candy Hoover Group Srl prohlašuje, že toto zařízení je označeno v souladu se základními požadavky směrnic 2014/53/EU a 2011/65/EU. Chcete-li získat kopii prohlášení o shodě, kontaktujte prosím výrobce na adrese: www.candy-hoover.cz

CANDY HOOVER GROUP S.r.l. Via Privata Eden Fumagalli, 20861 Brugherio (MB) Italy

KOMPONENTY PRODUKTU

- | | |
|---|--|
| <ul style="list-style-type: none"> A. Tlačítko ON/OFF (ZAP/VYP) B. Tlačítko Turbo C. Tlačítko tichého chodu D. Tlačítko WiFi E. Zásobník na nečistoty F. Tlačítko uvolnění klapky nádoby na prach G. Tlačítko uvolnění ručního parního čističe H. Tlačítko pro uvolnění I. Trubky J. Tlačítko pro uvolnění hubice K. Hubice L. Přední LED diody hubice M. Klapka pro uvolnění hubice N. Kontrolka LED stavu kartáče O. Vstupní filtr P. Lapač víru samostatného cyklonu Q. cyklónový | <ul style="list-style-type: none"> R. Kontrolka LED režimu napájení S. Kontrolka LED stavu baterie T. Kontrolka nabíjení baterie U. Tlačítko pro uvolnění baterie. V. Baterie W. Vstup pro nabíjení baterie X. Nabíjecí základna Y. Úchytka na zeď* Z. Nástěnné montážní šrouby* AA. Integrovaný 2v1 prachový kartáč a hubice na nábytek AB. Miniturbohubice* AC. Sáček na příslušenství* AD. Zadní měkký pásek AE. Rotační kartáč AF. Lišta stěrky AG. Rotační kartáč pro hloubkové čištění |
|---|--|

PŘÍPRAVA VYSAVAČE

Produkt opatrně vyjměte z obalu.

1. Zvedněte hubici a prodlužovací trubku, namontujte jeden konec trubice do hrdla hubice, dokud neuslyšíte, jak zapadne na své místo. **[1a]**
2. Zvedněte ruční jednotku a namontujte ji na na trubici, dokud neuslyšíte, jak zapadne na své místo. **[1b]**
3. Připevněte nástěnný držák ke zdi pomocí šroubků a matek. **[2]**
4. Pro úplné nabití připojte k baterii spotřebiče konektor nabíječky. Nabití bude trvat asi 6 hodin.

POZNÁMKA: Abyste sundali hlavici, stiskněte tlačítko pro uvolnění hlavice a tahem ji sejměte z hlavního těla.

POZNÁMKA: Pro dobíjení používejte pouze nabíjecí stanici dodanou k vysavači. Je běžné, že při nabíjení se nabíječka zahřívá.

* Pouze u některých modelů

JAK POUŽÍVAT VYSAVAČ

K dispozici jsou 4 pracovní režimy, které můžete zjistit z barvy kontrolky LED režimu napájení.

- **STANDARDNÍ REŽIM:** Když stisknete tlačítko VYP-ZAP, je vysavač připraven důkladně vyčistit hlavní motorizovanou hubici. Kontrolka LED svítí bíle. [3a]
- **Tichý režim:** Stisknutím tlačítka "tichý režim" můžete důkladně čistit při nejnižší úrovni hluku tohoto výrobku. Světlo změni barvu na zelenou. [3b]
- **TURBO REŽIM:** Stisknete tlačítko Turbo pro plný výkon při náročném vysávání. Kontrolka LED svítí modře. [3c]
- **AUTO REŽIM:** Když vyndáte hubici nebo trubici, produkt se automaticky přizpůsobí nižšímu výkonu pro výše uvedené čištění podlahy pomocí nemotorizovaných nástrojů. Kontrolka LED svítí modře/azurově.

KONTROLKA STAVU KARTÁČE

Kontrola LED stavu na hubici zůstane svítit bíle během všech režimů čištění podlahy a bude červená, pokud je aktivován bezpečnostní systém. [14]

Wi-Fi NASTAVENÍ

POZNÁMKA: Tento výrobek má možnost připojit se k síti WiFi pro lepší interakci s vysavačem. To vám umožní získat statistiky o použití výrobku, jak nejlépe používat a sledovat celkovou údržbu vašeho výrobku, aby byl zaručen výkon.

Přihlášení

WiFi můžete zapnout/vypnout pomocí tlačítka WiFi, které vidíte na obrázku. [3d] Kontrolka LED bude trvale blikat, dokud nebude vysavač připojen k aplikaci Hoover Wizard.

1. Aplikaci Hoover Wizard můžete stáhnout naskenováním QR kódu na obalu této příručky.
2. Nainstalujte si ji na svůj chytrý telefon.
3. Postupujte podle pokynů pro nastavení vysavače v aplikaci.

Po správné instalaci se váš smartphone automaticky připojí.

RESETUJTE WIFI

Váš vysavač můžete resetovat podržením tlačítka WiFi po dobu 5 sekund, dokud kontrolka LED nezačne blikat.

Vysavač je třeba znovu připojit aplikaci.

POZNÁMKA: Pokud výrobek uzamknete pomocí aplikace, můžete jej odemknout buďto znovu v aplikaci, nebo stisknutím tlačítka "Turbo" a "Silent" na zařízení po dobu 3 sekund najednou.

ZVOLTE VHODNÝ VÁLEČEK PRO NEJLEPŠÍ VÝSLEDKY

Rotační kartáč*: doporučujeme použít na koberce, dostane se hluboko do koberce a vyčistí prach

Měkký kartáč na choulostivé tvrdé podlahy*: doporučujeme používat na tvrdé podlahy nebo jemné parkety. Díky měkkým štětinám můžete tyto typy podlah jemně vyčistit.

DŮLEŽITÉ UPOZORNĚNÍ: Před výměnou otočného kartáče vysavač vždy vypněte.

POZNÁMKA: Pro sestavení kartáče, který chcete použít: [17]

1. Odpojte uvolňovací klapku agitátoru. Je umístěn na boční části nástavce.
2. Držte uvolňovací klapku rotačního kartáče a zatlačte k odstranění rotačního kartáče.
3. Zaměňte rotační kartáč pro intenzivní čištění za rotační kartáč pro hloubkové čištění nebo naopak.
4. Umístěte zpět uvolňovací klapku agitátoru.

SESTAVA STÍRACÍCH PÁSKŮ:

Abyste dosáhli co nejlepšího výkonu u štěrbin a koberců, doporučujeme sestavit přední a zadní stírací pásy na základní ploše hubice.

K tomu je zapotřebí otevřít klapku pro uvolnění míchadla a vyjmout měkký proužek. Poté uchopte jednu stírací pásku vložením jednoho jejího konce do otvoru na zadní straně vysavače a posouvejte dovnitř, dokud zcela nezapadne. Zopakujte tuto operaci pro druhou stírací pásku a zasuňte jej do otvoru na přední straně vysavače. Uzamkněte uvolňovací klapku. [16]

* Pouze u některých modelů

FUNKCE SKLADOVÁNÍ

Po použití má váš čistič 2 vhodné metody skladování.

1. USKLADNĚNÍ NA STĚNĚ

Váš výrobek je dodáván s držákem na stěnu pro pohodlné a snadné uskladnění. Pomocí dodaných šroubů upevněte nástěnný držák ke zdi. Po použití výrobku jednoduše umístíte vysavač na místo. [2]

2. REŽIM KOMPAKTNÍHO USKLADNĚNÍ/PARKOVÁNÍ

Chcete-li výrobek uskladnit na trubici, vyjměte ruční jednotku stisknutím uvolňovacího tlačítka. [5]

Zajistěte, aby byl vestavěný nástavec 2 v 1 (AA) vrácen do původní polohy, ve které je dodáván, a zajistěte, aby byl nástroj umístěn zcela ve své poloze s kartáčem na prach a háčkem směrem dolů.

Montážní hák namontujte do dolní drážky na trubce a zatlačte zadní rukojeť zcela dovnitř do blokovacího mechanismu umístěného v horní části trubky. [6]

OCHRANNÝ BEZPEČNOSTNÍ SYSTÉM

Aby spolehlivost produktu nebyla ohrožena použitím v náročných podmínkách, má výrobek dva integrované systémy Bezpečnostní ochrany, jeden na na vysavači a jeden na hubici.

POZNÁMKA: Bezpečnostní ochrana bude fungovat za dvou podmínek:

1. pokud je sání vzduchu nebo trubice zablokovány, vysavač bude chráněn a vypnut a kontrolka LED na hlavní jednotce začne svítit červeně. Pokud k tomu dojde, zkontrolujte, zda v trubici nebo v sání vzduchu ruční jednotky nejsou překážky. Vyjměte ji a znovu zapněte.

2. pokud je rotační kartáč ucpaný nebo je zablokován, přestane se při spuštění otáčet a na hubici se BÍLÁ LED rozsvítí ČERVENĚ. [14] V takovém případě jednoduše vypněte zařízení a vyčistěte otočný kartáč. Pro opětovné spuštění vysavače stiskněte spínač a zařízení začne znovu pracovat v normálním režimu.

BATERIE

Tento vysavač je vybaven kontrolkou LED stavu baterie. Je-li produkt zapnutý, kontrolka LED se rozsvítí v různých barvách, aby se zobrazila úroveň nabití baterie.

ÚROVEŇ BATERIE:

Bílá barva: 100% - 70% nabíjení

Modrá barva: <70% - 40% nabíjení

Červená barva: <40% - 10% nabíjení

Červené blikání: <10% nabíjení

Existují 2 způsoby nabíjení:

Nabijte baterii, pokud je namontována na výrobku.

Nabíjecí baterii zasuňte do baterie. Kontrolka LED stavu se při nabíjení rozsvítí ČERVENĚ. Když je nabíjení dokončeno, rozsvítí se BÍLÁ kontrolka LED stavu na dobu 1 minuty a poté se vypne. [7]

Nabíjejte baterii, když ji vyjmete z přístroje.

Stisknutím tlačítek pro uvolnění baterie uvolněte baterii.

Nabíjecí baterii zasuňte do baterie. LED dioda baterie se při nabíjení rozsvítí ČERVENĚ. Po dokončení nabíjení se rozsvítí kontrolka LED BÍLE. [8]

POZNÁMKA: Je běžné, že při nabíjení se nabíječka zahřívá. Používejte pouze nabíječku, která byla k vysavači dodána.

PŘÍSLUŠENSTVÍ

ŠTĚRBINOVÝ NÁSTAVEC NA RUČNÍ JEDNOTCE, ŠTĚRBINOVÝ NÁSTAVEC NA TRUBICI, NÁSTROJ 2v1 NA NÁBYTEK A PRACHOVÝ KARTÁČ A miní turbo hubice.

Zabudované štěrbínové nástavce - ideální pro přístup do úzkých prostor.

Prachový kartáč - ideální pro čištění povrchů bez poškození nebo poškrábání.

Hubice na čištění nábytku - ideální pro čištění povrchů jako jsou pohovky.

Veškeré příslušenství lze namontovat na hlavní výrobek a na trubici. [4]

POZNÁMKA: Hubice mini-turbo ideální pro hloubkové čištění textilních povrchů (například pohovky) a odstranění zvířecích chloupků. Pohybujte jím neustále dopředu a dozadu. Po použití nůžkami odstraňte vlasy/vlákná shromážděná na kartáči.

PYTÍLK NA PŘÍSLUŠENSTVÍ*

V pytlíku na příslušenství lze uskladnit dodatečné příslušenství.

* Pouze u některých modelů

Úchytka na zed*

Zavěste držák na stěnu pomocí dvou šroubů dodaných s výrobkem k zavěšení výrobku. [2]

ÚDRŽBA VYSAVAČE

Připomenutí údržby vstupního filtru. Pokud vstupní filtr vyžaduje údržbu červená kontrolka na čističi začne blikat červeně.

Vyprázdnění zásobníku na prach

1. Stiskněte tlačítko pro uvolnění hlavního těla vysavače a trubici vyjměte. [5]
2. Stiskněte tlačítko vyprázdnění nádoby na prach, aby se uvolnila klapka, a vysypte obsah. [9]
3. Uzavřete tlačítko pro uvolnění klapky prachové nádoby, až bude zajištěno, uslyšíte cvaknutí.

POZNÁMKA: Doporučujeme vyprazdňovat nádobu na prach po každém použití, nebo při naplnění po maximální úroveň.

Zkontrolujte prachový zásobník a filtr

Kontrolka LED na výrobku bude blikat ČERVENĚ, aby ukázala, že je potřeba vyčistit vstupní filtr motoru.

1. Stiskněte uvolňovací tlačítko na ruční jednotce a vyjměte ruční jednotku z trubice. [5]
2. Stiskněte uvolňovací tlačítko baterie a vyjměte baterii. [8]
3. Odmontujte sestavu prachové nádoby tak, že ji otočíte a vytáhnete z jednotky. [10]
4. Odstraňte předmotorový filtr, který táhne podpěru nádoby na prach. [11a]
5. Poté, vyjměte samotný cyklonový systém a vytáhněte kovový kroužek z nádoby na prach.
6. Odstraňte přepadovou trubku otáčením ve směru hodinových ručiček a vytáhněte ji z cyklonového systému. [11b]
7. Filtr a samostatný cyklonový systém omyjte vlažnou vodou a nechte uschnout po dobu 24 hodin. [12,13]
8. Jakmile je filtr úplně suchý, umístěte jej zpět do vysavače.

POZNÁMKA: Při čištění vstupního filtru motoru nepoužívejte horkou vodu ani čisticí prostředky. V nepravděpodobném případě poškození vstupních filtrů namontujte originální náhradní díly Hoover. Před vrácením prachové nádoby do vysavače vraťte zpět vstupní filtr, jinak se spustí ochranný mechanismus filtru.

DŮLEŽITÉ UPOZORNĚNÍ: Pro optimální výkon vždy udržujte filtr čistý. Doporučujeme, aby byl filtr umýván nejméně každé dva týdny.

Výměna a čištění rotačního kartáče

DŮLEŽITÉ UPOZORNĚNÍ: Před výměnou otočného kartáče vysavač vždy vypněte.

1. Vyjměte hubici z trubice.
2. Odpojte uvolňovací klapku agitátoru. Je umístěn na boční části nástavce. [17]
3. Držte uvolňovací klapku agitátoru a odstraňte agitátor.
4. Chcete-li vyčistit rotační kartáč, odstraňte přebytečné nečistoty pomocí nůžek.
5. Namontujte zpět agitátor. Agitátor může být uložen pouze v jednom směru.
6. Uzavřete uvolňovací klapku míchadla a zajistěte ho v poloze.

Výměna baterií

Tento vysavač je vybaven dobíjecí lithium-iontovou baterií, která je vyměnitelná.

VAROVÁNÍ: Pro svůj vysavač používejte pouze schválené náhradní díly. Používání dílů neschválených firmou Hoover je nebezpečné a přicházíte tím o záruku.

VAROVÁNÍ: Nepokoušejte se sami rozmontovat nebo opravit baterii.

1. Stiskněte uvolňovací tlačítka baterie a vytáhněte baterii ven. [8]
2. Vyjměte starou baterii a nahraďte ji novou baterií.
3. Zlikvidujte baterie bezpečně a ekologicky. Použité baterie by měly být přijaté do recyklační stanice a nesmějí být vyhazované dohromady s domovním odpadem.

ŘEŠENÍ POTÍŽÍ

Budete-li mít s vysavačem nějaký problém, postupujte podle tohoto jednoduchého kontrolního seznamu, než zavoláte do Zákaznického servisního střediska Hoover:

A. Vysavač se nezapíná

Zkontrolujte, zda je nabitý.

Zkontrolujte, jestli je baterie na svém místě.

B. Čistič přestal pracovat

Zkontrolujte, zda není v přívodu vzduchu nebo v trubce překážka, vyčistěte ji a zkontrolujte, zda je výrobek vypnutý. Po dokončení tohoto kroku, jednoduše stiskněte tlačítko zapnout/ vypnout, výrobek začne znovu pracovat.

C. Ztráta sacího výkonu nebo žádné sání

Vyprázdněte nádobku na prach a vymyjte vstupní filtr a separátor. Sundejte hubici a zkontrolujte, zda nejsou průchody trubice zablokované.

D. Baterie nelze nabíjet

To může být následkem velmi dlouhé doby nenabíjení akumulátorů (více než půl rok). Kontaktujte Zákaznické servisní středisko Hoover a dojednejte si výměnu baterií. Pokud problém přetrvává, kontaktujte Zákaznické servisní středisko Hoover.

NÁHRADNÍ DÍLY A SPOTŘEBNÍ MATERIÁLY HOOVER

Vždy používejte originální náhradní díly společnosti Hoover. Získáte je u místního prodejce výrobků Hoover nebo u servisních partnerů. V objednávce dílů laskavě vždy uvádějte číslo modelu.

VAŠE ZÁRUKA

Záruční podmínky pro tento spotřebič stanovuje náš zástupce v zemi, v níž je spotřebič prodáván. Přesné znění podmínek vám poskytne prodejce, u něhož jste si zařízení zakoupili. Při reklamaci podle těchto záručních podmínek je nutno předložit doklad o koupi nebo převzetí.

DŮLEŽITÉ UPOZORNĚNÍ: Záruka na baterii v tomto produktu je 2 roky od zakoupení. Po dvou letech si novou baterii musí zákazník koupit sám.

Právo změny bez předchozího upozornění vyhrazeno.

NAVODILA ZA VARNO UPORABO

Sesalnik lahko uporabljate le za čiščenje stanovanjskih prostorov, kot je opisano v tem priročniku. Prosimo, da se pred uporabo sesalnika temeljito seznanite s temi navodili.

Pred čiščenjem naprave ali kakršimi koli vzdrževalnimi deli vedno izklopite in odstranite polnilnik iz vtičnice.

Ta aparat lahko uporabljajo otroci, starejši od 8 let, ter osebe z zmanjšanimi telesnimi, zaznavnimi in mentalnimi sposobnostmi ali osebe s pomanjkljivimi izkušnjami in znanjem, če so pod nadzorom ali so bile ustrezno podučene o varni uporabi aparata ter se zavedajo nevarnosti, ki so povezane z njegovo uporabo. Otroci se ne smejo igati z aparatom. Otroci ne smejo čistiti ali vzdrževati aparata brez nadzora.

Če je napajalni kabel poškodovan, nemudoma prenehajte z uporabo sesalnika. Da bi se izognili nevarnosti, mora napajalni kabel zamenjati pooblaščen Hooverjev serviser.

Imejte roke, noge, ohlapna oblačila in lasje proč od vrtljivih krtač.

Uporabljajte le originalni polnilnik, ki je priložen napravi.

Preverite, ali je napajalna napetost enaka tisti, ki je navedena na polnilniku.

Ta Hooverjev aparat je dobavljen z dvojno izoliranim polnilcem baterij, ki je primeren samo za priključitev na 230-V (UK 240V) vtičnico.

Polnilec priključite v ustrezno vtičnico in nato drugi del priključite še na napravo.

Pred polnjenjem ugasnite napravo.

Pred prvo uporabo baterijo naprave polnite vsaj 24 ur. Med polnjenjem bo LED luč za baterijo svetila RDEČE in se bo obarvala BELO, ko bo naprava popolnoma napolnjena.

Po uporabi naprave spet priključite polnilnik in tako znova napolnite baterijo.

Nikoli ne polnite baterij pri temperaturah višjih od 37°C ali nižjih od 0°C.

Normalno je, da se polnilnik med polnjenjem segreva.

Ne izklopite polnilca tako, da povlečete kabel.

Polnilec izklopite v primeru podaljšane odsotnosti (počitnice, itd.).

Pred ponovno uporabo spet napolnite baterije, ker se lahko te izpraznijo samodejno, če sesalnika dlje časa ne uporabljate.

Če boste napravo odvrgli, morate najprej odstraniti baterije. Ko želite odstraniti baterije, mora biti naprava izključena iz električnega toka. Baterije odvrzite na varen način. Pustite delovati napravo do konca, da bodo baterije popolnoma prazne. Uporabljene baterije je treba odnesti v enoto za recikliranje in se ne smejo odvreči v gospodinjske smeti. Za odstranitev baterij vas prosimo, da se obrnete na Hooverjev center za kupce ali nadaljujete po sledečih navodilih.

POMEMBNO: Pred odstranjevanjem baterije vedno popolnoma izpraznite.

Sesalnik naj deluje toliko časa, da se baterije do konca izpraznijo.

Vtikač polnilca odstranite iz naprave.

Pritisnite na gumba za odstranitev baterije in jo odstranite tako, da jo potegnete v stran.

OPOMBA: V primeru težav z razstavljanjem naprave ali za podrobnejše informacije o ravnanju z izdelkom, obnovi ali ricikliranju izdelka se obrnite na krajevni urad ali komunalno podjetje za odvoz gospodinjskih odpadkov.

Uporabljajte le dodatke, potrošni material ali nadomestne dele, ki jih priporoča ali dobavi Hoover.

Statična elektrika: Določene vrste preprog lahko ustvarijo manjšo količino statične elektrike. Kakršen koli statični električni naboj ne ogroža zdravja.

Sesalnika ne smete uporabljati na prostem, na kakršni koli mokri površini ali za sesanje tekočin.

Ne smete sesati trdih ali ostrih predmetov, vžigalic, vročega pepela, cigaretnih ogorkov ali drugih podobnih snovi. Ne smete pršiti ali sesati vnetljivih tekočin, čistil, osvežilcev zraka ali njihovih hlapov

Ne smete zapeljati prek napajalnega kabla med uporabo sesalnika ali izvleči vtikača tako, da bi vlekli za kabel. Ne smete uporabljati naprave ali polnilnika, če ne delujeta pravilno.

Hooverjev servis: Za zagotovitev nenehnega varnega in učinkovitega delovanja naprave priporočamo, da servis ali popravila izvrši le pooblaščen Hooverjev serviser.

Ne smete uporabljati sesalnika za čiščenje živali ali ljudi. Polnljivih baterij ne smete zamenjati z navadnimi baterijami.

Okolje:

Ta naprava je označena v skladu z evropsko direktivo 2011/65/ES o odpadni električni in elektronski opremi (OEEO). S pravilnim odstranjevanjem izdelka boste pripomogli k preprečevanju morebitnih negativnih vplivov na okolje in človeško zdravje, do česar bi utegnili priti ob neprimernih odstranitvi tega izdelka. Simbol na izdelku pomeni, da izdelka ne smete odstraniti kot gospodinjiski odpadke. Oddati ga morate na zbirnem mestu za recikliranje električne in elektronske opreme. Odstranitev morate izvesti v skladu s krajevnimi okoljskimi predpisi glede odstranjevanja odpadkov. Za podrobnejše informacije o ravnanju z izdelkom, obnovi in recikliranju izdelka se obrnite na krajevni urad, komunalno podjetje za odvoz gospodinjiskih odpadkov ali trgovino, kjer ste izdelek kupili.



| | |
|---|---------------------|
| Frekvenčni pasovi | 2400Mhz ~ 2483.5Mhz |
| Maksimalna RF moč, prenesena na frekvenčni pas | 802.11 b: +20 dBm |
| | 802.11 g: +17 dBm |
| | 802.11 n: +14 dBm |

CE S to izjavo Candy Hoover Group Srl izjavlja, da je izdelek skladen z evropskimi direktivami 2014/53/ES, 2004/108/ES in 2011/65/ES. Če želite prejeti kopijo deklaracije, stopite v stik s proizvajalcem preko elektronske pošte: www.candy-group.com

CANDY HOOVER GROUP S.r.l. Via Privata Eden Fumagalli, 20861 Brugherio (MB) Italy

SESTAVNI DELI IZDELKA

- | | |
|---|---|
| A. Gumb ON/OFF | R. Led signalna lučka za vklop |
| B. Turbo Gumb | S. LED luč za stanje baterije |
| C. Gumb za tihi način | T. Luč za polnjenje baterije |
| D. Stikalo za WIFI | U. Gumb za sprostitvev baterije |
| E. Posoda za prah | V. Baterija |
| F. Gumb za sprostitvev lopute posode za prah | W. Vhod za polnjenje baterije |
| G. Ročni gumb za sprostitvev | X. Polnillec |
| H. Gumb za sprostitvev prostora za shranjevanje | Y. Stenski nosilec* |
| I. Cev | Z. Vijaki za pritrditev na steno* |
| J. Gumb za sproščanje nastavkov | AA. Vgrajena 2v1 krtača za čiščenje prahu in pohištva |
| K. Nastavek | AB. Mini turbo krtača* |
| L. Sprednje led luči krtače | AC. Vrečka za pripomočke* |
| M. Šoba za sproščanje nastavka | AD. Zadnji mehki trak |
| N. Led luč za stanje ščetke | AE. Intenzivni nastavek za tla |
| O. Filter pred motorjem | AF. Metlica brisalca |
| P. Enojni iskalec vrtinca ciklonskega sistema | AG. Nastavek za globinsko nego |
| Q. Enojni ciklonski sistem | |

PRIPRAVA VAŠEGA SESALNIKA

Svoj proizvod previdno odstranite iz embalaže.

- Dvignite šobo in cev za podaljšanje, vstavljajte en konec cevi na odprtino šobe, dokler ne zaslišite klika, ki nakazuje, da je na svojem mestu. **[1a]**
- Dvignite enoto držala in jo nameščajte na tubo, dokler ne zaslišite klika, ki nakazuje, da je na svojem mestu. **[1b]**
- Stenski nosilec pritrdite na steno, za to pa uporabite priložene vijake in matice. **[2]**
- Če želite napravo povsem napolniti, polnilnik povežite z baterijo. Naprava se bo polnila približno 6 ur.

OPOMBA: Nastavek snamete tako, da pritisnete gumb za sproščanje nastavka in ga izvlecete iz osnovnega dela.

OPOMBA: Pri ponovnem polnjenju uporabite samo polnillec, ki je dobavljen z vašim sesalcem. Normalno je, da se polnilnik med polnjenjem segreva.

* Le pri določenih modelih

UPORABA SESALNIKA

Obtsjajo 4 načini delovanja, ki jih lahko razločite iz barve led luči za stanje delovanja.

- **STANDARDNI NAČIN:** Ko pritisnete gumb ON-OFF, je čistilec pripravljen za temeljito čiščenje z glavno motorizirano šobo. Led luč je bele barve. [3a]
- **Tihi način:** pritisnite na gumb za tiho napajanje za popolno čiščenje pri zmanjšani ravni hrupa za ta proizvod. Luči se obarvajo zeleno. [3b]
- **NAČIN TURBO:** Za težke naloge čiščenja pritisnite na gumb za turbo delovanje. Led luč je modre barve. [3c]
- **NAČIN AUTO:** Ko odstranite šobo ali cev, se izdelek samodejno prilagodi manjši moči za čiščenje nad tlemi z nemotoriziranimi orodji. Led luč je svetlomodre/cianove barve.

STANJE KRTAČE

LED-lučka stanja ščetke na šobi sveti belo med vsemi načini čiščenja tal in postane rdeča, če je aktiviran varnostni sistem zaščite. [14]

NASTAVITEV BREŽIČNEGA OMREŽJA (WI-FI)

OPOMBA: Ta proizvod ima povezavo wifi, ki izboljšuje vašo interakcijo z napravo za čiščenje. Omogoča vam, da dobite statistične podatke o uporabi izdelka, kako najbolje uporabiti in spremljati celotno vzdrževanje vašega izdelka, da zagotovite njegovo učinkovitost.

Prijava

Wifi lahko vklopite/izklopite tako, da pritisnete gumb WiFi, kakor je prikazano na sliki. [3d] LED luč bo neprestano utripala, dokler bo vakumski sesalnik povezan z aplikacijo Hoover Wizard App.

1. Aplikacijo Hover Wizard App lahko prenesete tako, da skenirate kodo QR, ki se nahaja na platnici tega priročnika.
2. Namestite si jo na svoj pametni telefon.
3. Za nastavitve svojega vakumskega sesalnika sledite navodilom v aplikaciji.

Ko je vse pravilno nastavljeno, se bo vaš pametni telefon samodejno povezal.

PONASTAVITVE POVEZAVE WIFI

Vakumski sesalnik lahko ponastavite tako, da 5 sekund držite gumb WiFi, dokler LED lučka ne začne utripati.

Vakumski sesalnik morate ponovno povezati z aplikacijo.

OPOMBA: ko proizvod zaklenete preko aplikacije, ga lahko spet odklenete preko aplikacije ali pa tako, da hkrati pritisnete na gumb "Turbo" in gumb "Silent", ki se nahajata na proizvodu, in ju 3 sekunde držite.

ZA NAJBOLJŠE ČIŠČENJE IZBERITE PRIMEREN NASTAVEK

Intenzivni nastavek za tla*: je priporočljiv za uporabo na preprogi, saj lahko gre globoko v preprogo in očisti prah.

Nastavek za globinsko nego*: je priporočljiv za uporabo na trdih tleh ali na občutljivem parketu. To vrsto tal lahko nežno očistite zahvaljujoč mehkim ščetinam.

POMEMBNO: Pred zamenjavo in čiščenjem vrtljive krtače vedno ugasnite sesalnik.

OPOMBA: Za sestavo nastavka, ki ga želite uporabiti: [17]

1. Odstranite odpiralno loputo vrtljive krtače. Ta se nahaja na stranskem delu krtače.
2. Držite odpiralno loputo vrtljive krtače in povlecite navzdol ter tako odstranite vrtljivo krtačo.
3. Zamenjajte z intenzivnim nastavkom za tla ali z nastavkom za globinsko nego.
4. Odpiralno loputo vrtljive krtače spet namestite v njeno prvotno lego.

NAMEŠČANJE BRISALCEV

Za doseganje najboljših rezultatov pri čiščenju preprog in razpok je priporočljivo, da namestite prednje in zadnje brisalce na podnožje šobe.

Da bi to naredili, morate odpreti loputo za odstranjevanje krtače in odstraniti mehki trak. Nato namestite enega od brisalcev tako, da vstavite en konec brisalca na zadnjo odprtino in ga potiskate, dokler ni popolnoma nameščen. Ponovite isti postopek še za drugi brisalec in ga namestite na prednjo odprtino. Zaprite loputo za odstranjevanje krtače. [16]

* Le pri določenih modelih

FUNKCIJE SHRANJEVANJA

Vaš čistilec ima 2 priročna načina za shranjevanje po uporabi.

1. SHRANJEVANJE Z MONTAŽO NA STENO

Vašemu produktu je dodano ogrodje za montažo na steno za priročno in enostavno shranjevanje. S pomočjo dodanih vijakov pritrdite ogrodje za shranjevanje na steni na steno. Po uporabi enostavno namestite svoj proizvod na temu namenjeni prostor. [2]

2. KOMPAKTNO SHRANJEVANJE/NAČIN ZA PARKIRANJE

Če želite izdelek shraniti na cev, odstranite enoto držala s pritiskom na gumb za sprostitvev na držalu. [5]

Zagotovite, da se orodje 2 v 1 (AA) vrne v prvotni položaj, tako, da zagotovite, da je orodje v celoti nameščeno na pravi položaj s krtačo za prah in kljuko v spodnjem položaju.

Pritrdite kljuko v spodnjo režo na cevi in potisnite zadnji ročaj do konca v zaporni mehanizem, ki se nahaja na vrhu cevi. [6]

VARNOSTNI SISTEM

Za zagotavljanje zanesljivosti proizvoda v težkih pogojih, izdelek vsebuje dva integrirana varnostna sistema, enega na čistilcu in enega na šobi.

OPOMBA: Varnostni sistem bo deloval v dveh pogojih:

1. če so ovire na dovodu zraka ali v cevi, bo čistilec zaščiten in izklopljen, LED-lučka na glavni enoti pa bo postala rdeča. Če se to zgodi, enostavno preverite, če so kakšne ovire v cevi ali v dovodu zraka držala. Odstranite ovire in ga ponovno prižgite.

2. če ima krtača oviro ali je zaklenjena, se krtača preneha vrteti, ko se sproži varnostni sistem, in BELE LED luči na šobi se bodo spremenile v RDEČE. [14] Če se to zgodi, ugasnite napravo in iz agitatorja odstranite oviro. Če želite spet zagnati napravo, pritisnite tipko on/off in naprava bo spet začela delovati v normalnem načinu.

BATERIJA

Ta proizvod je opremljen z led lučjo za stanje baterije. Ko je naprava vklopljena, lučka LED sveti v različnih barvah, da prikaže raven baterije.

NIVO BATERIJE

Bela barva: 100% - 70% polnjenje

Modra barva: <70% - 40% polnjenje

Rdeča barva: <40% - 10% polnjenje

Utripajoče rdeče: <10% polnjenje

Obstajata 2 metodi polnjenja:

Napolnite baterijo, ko se drži proizvoda.

Vstavite vtič polnilnika baterije v baterijo. Med polnjenjem LED indikator stanja sveti rdeče. Ko je polnjenje končano, LED indikator stanja sveti 1 min, nato pa se ugasne. [7]

Polnite baterijo, ko ni nameščena na izdelek.

Baterijo odstranite s proizvoda tako, da pritisnete na gumba za sprostitvev baterije.

Vstavite vtič polnilnika baterije v baterijo. Med polnjenjem se bo led luč obarvala RDEČE. Ko bo polnjenje dokončano, se bo led luč obarvala BELO: [8]

OPOMBA: Normalno je, da se polnilnik med polnjenjem segreva. Uporabljajte samo polnilec, dobavljen z vašim sesalcem.

DODATNI PRIKLJUČKI

NASTAVKI ZA ČIŠČENJE ŠPRANJ, VGRAJENI NA DRŽALO, NASTAVKI ZA ČIŠČENJE ŠPRANJ, VGRAJENI NA CEV, 2V1 KRTAČA ZA ČIŠČENJE PRAHU IN POHIŠTVU IN MINI TURBO KRTAČA.

Vgrajeni nastavki za čiščenje špranj - Idealna za doseganje ozkih prostorov.

Krtača za prah - Idealna za čiščenje površin brez poškodb in prask.

Nastavek za pohištvo, - Idealna za čiščenje površin, podobnih kavču.

Vse dodatne priključke je mogoče namestiti na glavni proizvod ali na cev. [4]

OPOMBA: Mini-turbo krtača je idealna za čiščenje platnenih površin (npr. naslanjačev) in za odstranjevanje živalske dlake. Enakomerno jo potiskajte naprej in nazaj. Po uporabi odstranite dlake / delce, ki so se nabrali na krtači, po potrebi pa za to uporabite škarje.

TORBA ZA PRIPOMOČKE*

Dodatne pripomočke lahko shranite v torbo za pripomočke.

* Le pri določenih modelih

Stenski nosilec*

Stenski nosilec obesite na steno z obema vijakoma, ki sta priložena za obešanje izdelka. [2]

VZDRŽEVANJE SESALNIKA

Opomnik za vzdrževanje predfiltra. Če predfilter potrebuje vzdrževanje, začne rdeča luč na čistilcu utripati v rdeči barvi.

Praznjenje posode za prah

1. Pritisnite gumb za sprostitve glavnega dela in odstranite cev. [5]
2. Gumb za izpraznitev posode za prah potisnite navzdol ter tako sprostite pokrov posode in zatem izpraznite vsebino. [9]
3. Zaprite gumb za sprostitve lopute za prah, ko bo popolnoma zaklenjen, boste slišali klik.

OPOMBA: Posodo za prah izpraznite po vsaki uporabi sesalnika ali ko prah doseže zgornjo oznako največje dovoljene količine prahu.

Očistite posodo za prah in filter.

LED luč na izdelku bo zasvetila RDEČE in vas opozorila, da je potrebno čiščenje predmotornega filtra.

1. Pritisnite na gumb za sprostitve na držalu in odstranite enoto držala s cevi. [5]
2. Pritisnite gumb za sprostitve baterije in odstranite baterijo. [8]
3. Posodo za prah odstranite tako, da jo obrnete in povlečete stran od enote. [10]
4. Odstranite predmotorni filter tako, da povlečete podporo iz sklopa posode. [11a]
5. Izvlecite enojni ciklonski sistem tako, da povlečete kovinski obroč iz sklopa posode.
6. Na koncu odstranite vrtljivo cev tako, da jo obračate v smeri urinega kazalca in jo povlecite iz ciklonskega sistema. [11b]
7. Filter in enojni ciklonski sistem operite v mlačni vodi in pustite, da se 24 ur sušita. [12,13]
8. Ko je filter povsem suh, ga spet sestavite in vnovič namestite na sesalnik.

OPOMBA: Pri čiščenju predmotornega filtra ne uporabljajte vroče vode ali detergentov. Če se predmotorni filter poškoduje (kar je zelo redko), namestite originalno Hoover zamenjavo. Poskrbite, da boste pred montažo posode za prah na čistilec ponovno namestili predmotorni filter, saj se bo aktiviral zaščitni mehanizem filtra.

POMEMBNO: Za optimalen rezultat vedno ohranjajte čist filter. Priporočamo, da filter čistite vsaj vsaka 2 tedna.

Menjava in čiščenje vrtljive krtače

POMEMBNO: Pred zamenjavo in čiščenjem vrtljive krtače vedno ugasnite sesalnik.

1. Odstranite šobo s cevi.
2. Odstranite odpiralno loputo vrtljive krtače. Ta se nahaja na stranskem delu krtače. [17]
3. Držite odpiralno loputo vrtljive krtače in odstranite vrtljivo krtačo.
4. Pri čiščenju Intenzivne krtače za tla odstranite ostalo umazanijo s pomočjo škarij.
5. Ponovno namestite krtačo. Krtačo lahko namestite samo na en način.
6. Zaprite nastavek krtače za sprostitve zato, da jo zadržite na mestu.

Menjava baterij

Ta naprava za čiščenje je opremljena z litijsko baterijo, ki jo je mogoče ponovno napolniti in jo je mogoče zamenjati.

OPOZORILO: Za svoj sesalnik uporabljajte samo odobrene nadomestne dele. Uporaba delov, ki jih Hoover ne priporoča, je nevarna in bo razveljavila garancijo.

OPOZORILO: Ne poskušajte sami odpreti in popraviti baterije.

1. Pritisnite gume za sprostitve baterije in izvlecite baterijo. [8]
2. Odstranite staro baterijo in jo nadomestite z novo.
3. Baterije odvrzite na varen način. Uporabljene baterije je treba odnesti v enoto za recikliranje in se ne smejo odvreči v gospodinjske smeti.

ODPRAVLJANJE TEŽAV

Če boste imeli kakršne koli težave z vašim sesalnikom, preden pokličete Hooverjev servisni center za stranke s pomočjo enostavnega seznama v nadaljevanju preverite naslednje:

A. Sesalnik se ne vklopi

Preverite, če je sesalnik napolnjen.

Preverite, ali je baterija pravilno nameščena.

B. Sesalnik ne deluje.

Preverite, ali je prišlo do ovire v dovodu zraka ali v cevi, odstranite jo in se prepričajte, da je izdelek izklopljen. Ko to naredite, enostavno pritisnite na gumb za vklop/izklop, izdelek bo ponovno pričel delati.

C. Sesalna moč je manjša ali pa sesalnik sploh ne vsesava

Izpraznite posodo za prah ter operite mrežni filter in separator.

Odstranite krtačo in preverite, ali se v cevi nahaja kakršenkoli predmet, ki onemogoča prehod.

D. Baterij ne morete napolniti

To je morebitna posledica zelo dolgega obdobja shranjevanja (več kot pol leta).

Kontaktirajte Hooverjev servis za stranke, da se dogovorite za zamenjavo baterij.

Če težava traja dlje, kontaktirajte Hooverjev servisni center za stranke.

NADOMESTNI DELI IN POTROŠNI MATERIJAL HOOVER

Vedno uporabljajte originalne nadomestne dele Hoover. Dobite jih pri krajevnem prodajalcu Hooverjevih izdelkov. Pri naročanju delov vedno navedite številko modela.

GARANCIJA

Garancijski pogoji za to napravo so taki, kot jih določi zastopnik v državi, kjer je naprava prodana. Podrobnosti glede garancijskih pogojev lahko dobite od prodajalca, pri katerem ste napravo kupili. Če želite uveljavljati kakršno koli garancijo, potrebujete potrdilo o nakupu ali račun.

POMEMBNO: Baterija tega sesalnika ima dveletno garancijo, ta pa stopi v veljavo na dan nakupa. Po dveh letih je stranka sama odgovorna za nakup in plačilo nove baterije.

Garancija se lahko spreminja brez predhodnega obvestila.

GÜVENLİ KULLANIM TALİMATLARI

Bu ürün kullanım kılavuzunda belirtildiği gibi yalnızca ev temizliği için kullanılmalıdır. Lütfen ürünü kullanmadan önce bu kılavuzun tam olarak anlaşıldığından emin olun.

Cihazı temizlemeden ya da herhangi bir bakım işlemi uygulamadan önce daima cihazı kapatın ve şarj aletini prizden çıkarın.

Bu cihaz 8 yaş ve üzeri çocuklar ve yetersiz fiziksel, duyuşsal veya zihinsel kabiliyete sahip kişiler ya da deneyim ve bilgi yoksunu kişiler tarafından bir yetişkinin gözetiminde veya cihazın güvenli bir şekilde kullanımı ile ilgili talimatı ve bulunan tehlikelerin açıkça anlatılması ile kullanılabilir. Çocuklar cihaz ile oynamamalıdır. Temizleme ve bakım işlemi denetimsiz şekilde çocuklar tarafından yapılmamalıdır.

Güç kablosu hasar görürse cihazı kullanmayı derhal bırakın. Herhangi bir yaralanmaya engel olmak için güç kablosunun mutlaka yetkili bir Hoover servisi tarafından değiştirilmesi gereklidir.

Ellerinizi, ayaklarınızı, bol giysileri ve saçlarınızı dönen fırçalardan uzak tutun.

Yalnızca cihazla birlikte verilen şarj aletini kullanın.

Besleme voltajının şarj aleti üzerinde belirtilen değerle aynı olup olmadığını kontrol edin.

Bu Hoover ev aleti sadece 230V (İngiltere: 240V) prize takılması uygun olan çift izolasyonlu bir batarya şarj cihazıyla verilmektedir.

Şarj cihazını uygun bir prize takın ve şarj aleti jakının prizini cihaza takın.

Şarj işlemi öncesinde cihazı kapalı konuma getirin.

İlk kullanımdan önce elektrikli süpürgenizi en az 24 saat şarj edin. PİL takımı LED ışığı şarj sırasında KIRMIZI renkte yanar ve şarj tamamlandığında BEYAZA döner.

Pilleri yeniden şarj etmek için kullanım sonrasında cihazı yeniden şarj cihazına bağlayın.

Pilleri kesinlikle 37°C'nin üzerindeki veya 0°C'nin altındaki sıcaklıklarda şarj etmeyin.

Şarj aletinin şarj olurken ısınması doğaldır.

Şarj aletinin fişini kablosundan çekerek çıkarmayın.

Uzun süre evde bulunmayacaksanız (tatil vs. gibi nedenlerle) şarj

aletini prizden çekin. Uzun süre kullanılmayan elektrikli süpürge'nin şarjı kendi kendine bitebileceğinden, yeniden kullanmadan önce süpürgeyi iyice şarj edin.

Cihaz atılacağı zaman, öncelikle piller çıkartılmalıdır. Pil çıkartılırken, cihaz şebeke beslemesinden çıkartılmalıdır. Pilleri güvenli bir şekilde imha edin. Pillerin tamamen boşalması için cihazı durana kadar çalıştırın. Kullanılmış piller bir geri dönüşüm istasyonuna götürülmeli ve evsel atıklarla birlikte atılmamalıdır. Pilleri çıkarmak için, lütfen Hoover Müşteri Merkezi ile temasa geçin veya aşağıdaki talimatlara göre devam edin.

ÖNEMLİ: Pilleri çıkarmadan önce daima tamamen boşaltın ve şarj ünitesinin fişten çıkarıldığından emin olun.

Süpürgeyi piller tamamen boşalana kadar çalıştırın.

Şarj cihazı jak fişini cihazdan çıkarın.

Pil takımı serbest bırakma düğmelerine basın ve çıkarmak için kaydırın.

NOT: Birimin parçalarına ayrılması ile ilgili zorluk yaşarsanız ya da cihazın tamiri, onarımı ya da geri dönüşümü ile ilgili daha ayrıntılı bilgiye ihtiyaç duyarsanız lütfen belediyeniz ya da ev atıkları imha hizmetleri ile görüşün.

Yalnızca Hoover tarafından önerilen veya sağlanan aparatları, malzemeleri ve yedek parçaları kullanın.

Statik elektrik: Bazı halılar statik elektrik oluşuma neden olabilir. Statik elektrikdeşarjı sağlığa zararlı değildir.

Cihazınızı dış mekanlarda veya ıslak yüzeylerde ya da ıslak toplama için kullanmayın.

Sert veya keskin nesnelere, kibritleri, sıcak külleri, sigara izmaritleri veya diğer benzeri öğeleri toplamayın. Yanıcı sıvıları, temizleme sıvılarını, aerosollerini veya spreyleri püskürtmeyin ya da toplamayın.

Cihazı kullanırken güç kablosu üzerine basmayın veya güç kablosundan çekerek prizden çıkarmayın. Arıza görünürse cihazı veya şarj aletini kullanmayı bırakın.

Hoover teknik servisi: Cihazın uzun süre güvenli ve verimli kullanımını sağlamak için, servis ve bakımlarının yetkili Hoover servisinde yapılmasını tavsiye ederiz.

Cihazı hayvanları veya insanları temizlemek için kullanmayın.

Pilleri şarj edilemeyen pillerle değiştirmeyin.

Çevre:

Bu cihaz Atık Elektrikli ve Elektronik Teçhizat (WEEE) hakkında Avrupa direktifi 2011/65/EC'ye uygunluk işaretine sahiptir. Bu ürünün doğru bir şekilde atılmasını sağlayarak, yanlış atılmasından dolayı çevre ve insan sağlığında oluşabilecek olumsuz etkilerin önlenmesine katkıda bulunacaksınız. Ürünün üzerindeki sembol, bu ürünün ev atığı olarak değerlendirilmeyeceğini gösterir. Bunun yerine ürün, elektrikli ve elektronik cihazların geri dönüştürülmesi için oluşturulan geçerli bir toplama noktasına bırakılmalıdır. İmha, atık imhası için düzenlenen yerel çevre yönetmeliklerine uygun olarak yapılmalıdır. Ürünün nasıl elden çıkarılacağı konusunda daha detaylı bilgi için bağlı bulunduğunuz muhtarlığa, çöp toplama şirketine veya ürünü satın almış olduğunuz mağazaya müracaat edin.



| | |
|---|---|
| Frekans bantları | 2400Mhz ~ 2483.5Mhz |
| Frekans bandında iletilen maksimum RF gücü | 802.11 b: +20 dBm 802.11 g: +17 dBm 802.11 n: +14 dBm |

CE Bu Candy Hoover Group Srl ile, cihazın 2014/53/EU ve 2011/65/EU Yönetmeliklerinin temel gereksinimlerine uygun olduğu beyan edilir. Uygunluk beyanının bir kopyasını almak için lütfen www.candy-group.com adresinden üretici ile irtibata geçin

CANDY HOOVER GROUP S.r.l. Via Privata Eden Fumagalli, 20861 Brugherio (MB) Italy

ÜRÜN BİLEŞENLERİ

- | | |
|---|--|
| A. AÇIK/KAPALI Düşmesi | R. Güç Modu LED Işığı |
| B. Turbo düşmesi | S. Pil Durumu LED Işığı |
| C. Sessiz Düşmesi | T. Pil Şarj Işığı |
| D. WIFI Düşmesi | U. Batarya Serbest Bırakma Düşmesi |
| E. Toz haznesi | V. Batarya Grubu |
| F. Toz Haznesi Kanadını Serbest Bırakma Düşmesi | W. Pil Şarj Girişi |
| G. El Ünitesi Çıkarma Düşmesi | X. Şarj Aleti |
| H. Saklama Alanı Çıkarma Düşmesi | Y. Duvara Montaj* |
| I. Boru | Z. Duvara Montaj Vidaları* |
| J. Başlık Çıkarma Düşmesi | AA. Entegre 2'si 1 Arada Toz Alma Fırçası ve Mobilya Aparatı |
| K. Başlık | AB. Mini Turbo Başlık* |
| L. Başlık Ön LED Işıkları | AC. Aksesuar çantası* |
| M. Başlık Çıkarma Kapağı | AD. Arka Yumuşak Şerit |
| N. Fırça Çubuğu Durum LED'i | AE. Yoğun Zemin Rulosu |
| O. Ön Motor Filtresi | AF. Silecek Kanadı |
| P. Siklonik Girdap Bulucu | AG. Derinlemesine Temizlik Rulosu |
| Q. Siklonik | |

SÜPÜRGENİZİN HAZIRLANMASI

Ürününüzü dikkatlice ambalajından çıkarın.

1. Başlığı ve uzatma borusunu alın, borunun bir ucunu yerine oturduğunu gösteren 'tik' sesini duyana kadar başlığın boyun kısmına takın. **[1a]**
2. El ünitesini alın ve yerine oturduğunu gösteren 'tik' sesini duyana kadar boruya takın. **[1b]**
3. Ürünle birlikte verilen vida ve vida tapalarını kullanarak Duvara montaj parçasını duvara sabitleyin. **[2]**
4. Cihazı tamamen şarj etmek için şarj cihazı ucunu batarya takımına bağlayın. Yaklaşık 6 saat sürecektir.

NOT: Başlığı çıkarmak için başlık çıkarma düşmesine basın ve başlığı çekerek ana gövdeden çıkarın.

NOT: Sadece elektrikli süpürgeyle birlikte verilen şarj aletini kullanın. Şarj aletinin şarj olurken ısınması doğaldır.

* Sadece bazı modeller için

TEMİZLEYİCİNİN KULLANIMI

Güç Modu LED ışığının renginden tespit edebileceğiniz 4 çalışma modu bulunur.

• **STANDART MOD:** AÇMA-KAPAMA düğmesine bastığınızda, süpürge ana motorlu başlık ile temizlik yapmaya hazır olacaktır. LED ışığı beyaz renklidir. **[3a]**

• **Sessiz Mod:** Bu ürün için en düşük gürültü seviyesinde iyice temizlemek için sessiz düğmesine basın. Işık yeşile döner. **[3b]**

• **TURBO MODU:** Zor temizlik görevleri için tam güç vermek üzere Turbo Düğmesine basın. LED ışığı mavi renklidir. **[3c]**

• **OTOMATİK MOD:** Başlığı veya boruyu çıkardığınızda, ürün, motorlu olmayan araçlar ile zemin üstü temizlik için otomatik olarak daha düşük bir güç düzeyi uygulayacaktır. LED ışığı mavi/camgöbeği renktedir.

FIRÇA ÇUBUĞU DURUMU

Başlık üzerindeki fırça çubuğu durum LED'i tüm zemin temizleme modlarında beyaz renkte yanacak ve sistemin güvenlik koruma sistemi etkinleştirildiğinde kırmızıya dönecektir. **[14]**

Wi-Fi KURULUMU

NOT: Bu ürün, süpürmenizle etkileşimi iyileştirmek için WiFi bağlantısı işleviyle donatılmıştır. Bu işlev, ürün kullanımı, en iyi kullanım şekli hakkında istatistik bilgilerini edinmenize ve performans garantisi için ürünün genel bakım sürecini izlemenize olanak tanır.

Kayıt

Şekilde gösterilen şekilde WiFi düğmesine basarak WiFi işlevini Açık/Kapalı konuma getirebilirsiniz. **[3d]** Elektrikli süpürge Hoover Wizard Uygulamasına bağlanıncaya kadar LED ışık sürekli olarak yanıp sönecektir.

1. Bu kılavuzun kapağında bulunan QR kodunu taratarak Hoover Wizard Uygulamasını indirebilirsiniz.
2. Bunu akıllı telefonunuza indirin.
3. Elektrikli süpürgeziniz kurulumunu gerçekleştirmek için Uygulamada verilen talimatları izleyin.

Doğru şekilde yüklediğinizde, akıllı telefonunuz otomatik olarak bağlanacaktır.

WiFi SIFIRLA

LED ışığı yanıp sönece kadar, 5 saniye boyunca WiFi düğmesine basarak elektrikli süpürgezinizi sıfırlayabilirsiniz.

Elektrikli süpürgeyi UYGULAMAYA yeniden bağlamanız gerekecektir.

NOT: Ürünü Uygulamayla kilitledikten sonra, kilidi Uygulama ile ya da ürünün üzerindeki "Turbo" ve "Silent (Sessiz)" düğmesine aynı anda, 3 saniye boyunca basarak açabilirsiniz.

EN İYİ TEMİZLİK İÇİN UYGUN RULOYU SEÇİN

Yoğun Zemin Rulosu*: tozları temizlemek üzere halının derinliklerine inebildiğinden halı üzerinde kullanılması önerilir.

Derinlemesine Temizlik rulosu*: sert zeminler ya da hassas parkeler üzerinde kullanılması önerilir. Yumuşak fırçaları sayesinde bu tür zeminleri nazikçe temizleyebilirsiniz.

ÖNEMLİ: Döner fırçayı değiştirmeden veya temizlemeden önce daima cihazı kapatın.

NOT: Kullanmak istediğiniz ruloyu takmak için: **[17]**

1. Döner fırça serbest bırakma kapağını çıkarın. Bu kapak ağızlığın yan kısmında yer alır.
2. Döner fırçayı serbest bırakma kapağını tutun ve döner fırçayı aşağı çekerek çıkarın.
3. Yoğun Zemin Rulosunu Derinlemesine Temizlik Rulosu ile değiştirin.
4. Döner fırça serbest bırakma kapağını yeniden uygun konuma getirin.

SİLECEK KANADI TERTİBATI

Kenarlarda, köşelerde ve halılarda en iyi performansın sağlanması için ön ve arka silecek kanadının başlığın taban plakasına monte edilmesi önerilir.

Bunu yapmak için, döner fırçayı serbest bırakma kapağını açın ve yumuşak şeridi çıkarın. Daha sonra, silecek kanadının birini, bir ucu arka yuvaya yerleştirerek kavrayın ve yerine oturana kadar itin. Bu işlemleri, ikinci silecek kanadı için yineleyin ve daha sonra ön yuvaya doğru kaydırın. Döner fırçayı serbest bırakma kapağını kilitleyin. **[16]**

* Sadece bazı modeller için

DEPOLAMA İŞLEVİ

Kullanım sonrasında, süpürgenizi depolamanız için 2 rahat yöntem bulunmaktadır.

1. DUVARA MONTE EDEREK DEPOLAMA

Ürününüz, kolay ve rahat depolama için duvara montaj birimi ile birlikte temin edilmektedir. Ürünle birlikte verilen vidaları kullanarak Duvara montaj parçasını duvarınıza sabitleyin. Ürünü kullandıktan sonra, süpürgenizi yerine yerleştirmeniz yeterli olacaktır. [2]

2. KOMPAKT DEPOLAMA/PARK MODU

Ürünü boru üzerinde depolamak için el ünitesini çıkarma düğmesine basarak el ünitesini çıkarın. [5]

Cihaz üzerindeki 2'si 1 arada aracı (AA) temin edildiği zamanki ilk konumuna getirildiğinden emin olun ve toz alma fırçası ile konum kancasının aşağı bakmasını sağlayarak aracın yerine tam oturduğundan emin olun.

Konum kancasını borunun alt yuvasına takın ve arka kolu borunun en üstünde, kilitleme mekanizması içindeki yerine tamamen oturacak şekilde itin. [6]

EMNİYETLİ KORUMA SİSTEMİ

Zorlu koşullarda kullanım halinde ürünün güvenilirliğinin etkilenmemesi için üründe iki entegre Güvenlik koruma sistemi bulunmaktadır; bunlardan biri süpürge, biri de başlık üzerindedir.

NOT: Güvenlik koruma sistemi iki koşulda eyleme geçecektir.:

1. Hava girişinde veya boru içinde bir tıkanıklık olması halinde, temizleyici koruma amaçlı olarak KAPALI duruma getirilecek ve ana ünite üzerindeki LED ışık kırmızı renkte yanacaktır. Bunun olması halinde, boruda ya da el ünitesinin girişinde herhangi bir tıkanıklık olup olmadığını kontrol edin. Bunu giderin ve ürünü tekrar AÇIK konuma getirin.

2. Döner fırçada takılma veya engel varsa, bu birim eyleme geçtiğinde döner fırça dönmeye son verecek ve başlık üzerindeki BEYAZ LED ışıkları KIRMIZIYA dönecektir. [14] Bu durumun oluşması halinde, ürününüzü kapatın ve döner fırçadaki tıkanmayı giderin. Temizliğe devam etmek için açma/kapama düğmesine basın; ürün normal modda yeniden başlatılacaktır.

PİL

Bu süpürge, Pil Durumu LED ışığı ile donatılmıştır. Ürün AÇIK durumda olduğunda, LED ışığı, pil seviyesini göstermek için farklı renklerde yanar.

PİL SEVİYESİ:

Beyaz renk: 100% - 70% şarj

Mavi renk: <70% - 40% şarj

Kırmızı renk: <40% - 10% şarj

Kırmızı yanıp sönen: <10% şarj

2 şarj yöntemi bulunur:

Pili ürüne takılı halde şarj etme.

Pil şarj cihazının fişini pile takın. Şarj sırasında, LED durum göstergesi KIRMIZI renkte yanacaktır. Şarj işlemi tamamlandığında LED durumu göstergesi 1 dakikalığına BEYAZ renkte yanacak ve sönecektir. [7]

Pili, üründen çıkarılmış haldeyken şarj etme.

Pil çıkarma düğmelerine basarak pili üründen çıkarın.

Pil şarj cihazının fişini pile takın. Şarj sırasında, pil takımı LED'i KIRMIZI renkte yanacaktır. Şarj işlemi tamamlandığında, LED gösterge BEYAZ renkte yanacaktır. [8]

NOT: Şarj aletinin şarj olurken ısınması doğaldır. Sadece elektrikli süpürgeyle birlikte verilen şarj aletini kullanın.

AKSESUARLAR

EL ÜNİTESİNE ENTEGRE KENAR KÖŞE APARATI, BORUYA ENTEGRE KENAR KÖŞE APARATI, 2'Sİ 1 ARADA MOBİLYA APARATI VE TOZ ALMA FIRÇASI VE MİNİ TURBO BAŞLIK.

Entegre Kenar Köşe Aparatları - dar alanlara erişim için idealdir.

Toz Alma Fırçası - yüzeyleri zarar vermeden veya çizmeden temizlemek için idealdir.

Mobilya Başlığı - kanepeler gibi yüzeylerin temizlenmesi için idealdir.

Tüm aksesuarlar ana ürün ve boru üzerine takılabilir. [4]

NOT: Kumaş yüzeyleri (örneğin kanepeler) derinlemesine temizlemek ve evcil hayvan tüyleri temizlemek için mini turbo başlık idealdir. Düzgün bir şekilde ileri ve geri hareket ettirin. Kullandıktan sonra gerekirse bir makasla fırçada toplanan tüyleri/iplikleri lütfen temizleyin.

Aksesuar Çantası*

İlave aksesuarlar aksesuar çantasında saklanabilir.

* Sadece bazı modeller için

Duvara Montaj*

Duvara montaj parçasını, ürünü asmak için ürünle birlikte verilen iki vidayı kullanarak duvara takın. [2]

TEMİZLEYİCİNİZİN BAKIMI

Ön filtre bakımı için hatırlatma Ön filtreye bakım uygulanması gerekiyorsa, süpürge üzerindeki kırmızı ışık yanıp sönmeye başlar.

Toz Haznesinin Boşaltılması

1. Ana gövdeyi çıkarma düğmesine basın ve boruyu çıkarın. [5]
2. Toz haznesini kapağını açıp içindekileri boşaltmak için toz haznesi boşaltma düğmesine basın. [9]
3. Toz haznesi kapağını kapatın, tamamen yerine sabitlendiğinde bir tık sesi duyacaksınız.

NOT: Toz haznesinin her kullanım sonrasında veya toz maksimum dolma çizgisine geldiğinde boşaltılması önerilir.

Toz haznesini ve filtreyi temizleyiniz

Ürün üzerindeki LED gösterge, Motor öncesi Filtrede temizlik yapılması gerektiğini göstermek için KIRMIZI renkte yanıp sönecektir.

1. El ünitesi çıkarma düğmesine basın ve el ünitesini burudan çıkarın. [5]
2. Pili çıkarma düğmesine basın ve pili çıkarın. [8]
3. Toz haznesi tertibatını çevirerek ve üniteden uzaklaştırarak çıkarın. [10]
4. Hazne grubundan desteği çekerek Ön Motor filtresini çıkarın. [11a]
5. Metal halkayı hazne grubundan çekerek tekli siklon sistemi çıkarın.
6. Saat yönünde döndürerek girdap bulucuyu çıkarın ve siklon sisteminden çekin. [11b]
7. Filtreyi ve siklonik sistemi ılık suda yıkayın ve 24 saat boyunca kurumaya bırakın. [12,13]
8. Tamamen kurduğunda süpürgeye yerine yeniden takınız.

NOT: Motor öncesi filtreyi temizlerken sıcak su veya deterjan kullanmayın. Motor öncesi filtrenin hasar görmesi halinde, orijinal bir Hoover yedek parçası takın. Filtre koruma mekanizması etkinleştirileceğinden, toz haznesini süpürge ana gövdesine takmadan önce motor öncesi filtreyi taktığınızdan lütfen emin olun.

ÖNEMLİ: En iyi performans için filtrenizi her zaman temiz tutun. Filtrenin en az iki haftada bir yıkanmasını öneririz.

Döner Fırçanın Değiştirilmesi ve Temizlenmesi

ÖNEMLİ: Döner fırçayı değiştirmeden veya temizlemeden önce daima cihazı kapatın.

1. Başlığı burudan çıkarın.
2. Döner fırça serbest bırakma kapağını çıkarın. Bu kapak ağızlığın yan kısmında yer alır. [17]
3. Döner fırça serbest bırakma kapağını tutun ve döner fırçayı çıkarın.
4. Yoğun Zemin Rulosunu temizlemek için, fazla kalıntıyı makasla çıkarın.
5. Döner fırçayı yeniden sabitleyin. Döner fırça yalnızca tek yönde sabitlenebilir.
6. Döner fırçayı yerine sabitlemek için döner fırça serbest bırakma kapağını kapatın.

Pillerin Değiştirilmesi

Bu süpürge, değiştirilebilir ve şarj edilebilir bir lityum iyon pil takımı ile donatılmıştır.

UYARI: Yalnızca elektrik süpürmeniz için onaylanmış yedek parçaları kullanın. Hoover tarafından onaylanmamış parçaların kullanılması tehlikelidir ve garantinizi geçersiz kılar.

UYARI: Batarya grubunu açmaya ve kendiniz onarmaya çalışmayın.

1. Pili çıkarma düğmelerine basın ve pili dışarı çekin. [8]
2. Eski batarya grubunu çıkarın ve yeni batarya grubuyla değiştirin.
3. Pilleri güvenli bir şekilde imha edin. Kullanılmış piller bir geri dönüşürme istasyonuna götürülmeli ve evsel atıklarla birlikte atılmamalıdır.

SORUN GİDERME

Elektrikli süpürgeyle ilgili bir sorun yaşarsanız, Hoover Müşteri Hizmetleri Merkezi'ni aramadan önce aşağıdaki kontrol listesini inceleyin:

A. Elektrikli süpürge açılmıyor

Süpürgeyi şarj olduğundan emin olun.

Batarya grubunun yerine monte edilmiş olup olmadığını kontrol edin.

B. Süpürge çalışmayı durdurdu

Girişte veya buruda bir tıkanıklık olup olmadığını kontrol edin, tıkanıklığı giderin ve ürünün KAPALI olduğundan emin olun. Bu işlem sonrasında, açma/düğme düğmesine bastığınızda ürün tekrar çalışmaya başlayacaktır.



C. Emme zayıf veya emme yapılmıyor.

Toz haznesini boşaltın ve pro filtre ve ayırıcıyı yıkayın.
Başlığı çıkarın ve kanalda tıkanma olup olmadığını kontrol edin.

D. Bataryalar şarj edilemiyor

Bu, çok uzun süre saklamadan dolayı olabilir (altı aydan fazla).
Batarya değişimi için Hoover müşteri hizmetlerine başvurun.
Sorun devam ederse Hoover Müşteri Hizmetleri Merkezi'ne başvurun.

HOOVER YEDEK PARÇA VE SARF MALZEMELERİ

Parçaları daima orijinal Hoover parçaları ile değiştirin. Bu parçaları Hoover servislerinden tedarik edebilirsiniz. Parça siparişi verirken mutlaka cihazın model numarasını belirtin.

GARANTİNİZ

Bu cihaz için garanti koşulları, cihazın satıldığı ülkedeki temsilcimiz tarafından tanımlanmaktadır. Bu koşullara ilişkin ayrıntılar cihazın satın alındığı bayiden edinilebilmektedir. Bu garanti koşulları altında yapılan talepte satış fişi(faturası) ve makbuzu ibraz edilmiş olmalıdır.

ÖNEMLİ: Bu süpürgeğin bataryası satın alım tarihinden itibaren 2 yıl garantilidir. 2 yıl sonra, yeni batarya maliyeti müşterinin sorumluluğunda olacaktır.

Haber verilmeksizin değişiklikler yapılabilir.

