



Airfree®

D800520.0.5

10/09/2020



Airfree® Duo



Index

Safety Instructions	2
Airfree® and its Efficiency	3
Installing and Connecting	3
Installing or Removing the Odour Eliminator Capsule	4
Airfree® Description	4
Technical Characteristics	5
How does Airfree® Work	5
Frequently Asked Questions	6
Warranty	8

Copyright 2019 Airfree® Produtos Eletrónicos S.A. All Rights Reserved.

All rights reserved. No part of this publication may be reproduced, photocopied, transmitted, transcribed, stored in a retrieval system, or translated into any language in any form or by any means without the express prior written consent of Airfree® Produtos Eletrónicos S.A.

Safety Instructions



Airfree® is not intended to be operated by children or persons with reduced physical, sensory or mental capabilities.



Do not place your Airfree® in direct contact with water or liquids due to the risk of electric shock and damage to the device.



Do not obstruct Airfree® air outlets with items such as towels as this will cause the device to shut off. If such condition persists a general cut-off system will be activated requiring circuit board replacement by an authorised repair centre. This incident is not covered by the Airfree® warranty.



Do not attempt to open Airfree® or touch its internal components. Do not insert any objects in the unit as this can cause an electric shock. Any attempt to open or tamper with Airfree® will void the warranty.



To clean Airfree®'s surface, unplug it from the electric outlet and use a dry cloth. Do not attempt to open Airfree® to clean the inside of the unit. The TSS™ ceramic core is auto-cleaning.



Always keep Airfree® in its vertical position as shown in the picture, otherwise it will shut off automatically.



Airfree® must not be placed near flammable and toxic products.

If the supply cord is damaged, it must be replaced by an authorised repair centre. Please contact your Airfree® dealer.

Airfree® and its Efficiency

All Airfree® claims are duly backed up by independent tests by multiple international certified laboratories. To access the full Tests Reports, please visit www.airfree.com.

Installing and Connecting



Remove device from the package, place it on a dry levelled surface, preferably no higher than 75 cm and plug it into the nearest outlet. The side led will turn on indicating the device is ON. Adjust the led light intensity using the sensor touch button. After 10 to 15 minutes, the top lid will be warm.



Do not place Airfree® under furniture, shelves, or behind curtains as this will affect its airflow and efficiency in destroying microorganisms.



Make sure the room's area is compatible with the unit's capacity to achieve best unit performance. Using Airfree® in rooms larger than the device's intended capacity will greatly reduce its purifying action.



Airfree® should be permanently ON in the same room, 24 hours a day.



The TSS™ sterilisation system is always ON. If and when necessary, the fan can be turned ON to force the air into the odour eliminator capsule mini ducts to capture cigarette smoke and other odours.



Airfree® can be placed in rooms equipped with air conditioning and heating systems.



Placing your Airfree® unit in corridors will have little effect in adjoining rooms.



The already sterilised and purified air will probably leave the room if Airfree® is placed near open windows or doors.



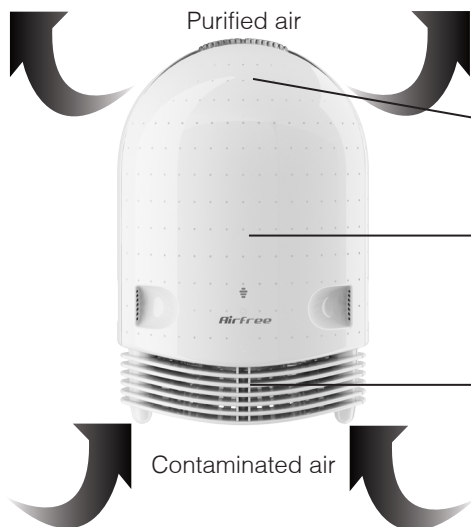
To turn the fan ON and OFF, thus forcing the air through the odour eliminator capsule's mini ducts, press and hold the sensor touch button for up to 6 seconds. Press the same sensor touch button multiple times to achieve the desired light brightness or to turn it off completely.

Technical Characteristics



Model	Duo
Capacity	24 m ²
Electric Consumption	43 - 53 W with fan 41 - 51 W without fan
Voltage	220 - 240 V
Noise	Totally silent with TSS™ and very little noise with the fan on
Weight	1.66 kg
Dimensions	Height: 29.6 cm Ø: 21.5 cm
Odour Eliminator Capsule	
The odour eliminator capsule's replacement frequency will depend on how often it's used. As it's meant to be turned ON only when necessary, it may last up to 6 months or longer.	

How does Airfree® Work



Cooling Chamber

Cold and clean air is delivered to the environment without any noticeable change in room temperature or humidity.

TSS™ Sterilising Ceramic Core

Inside the ceramic core, 99.99% of bacteria, viruses, mould, fungi and spores are destroyed.

Air Inlets

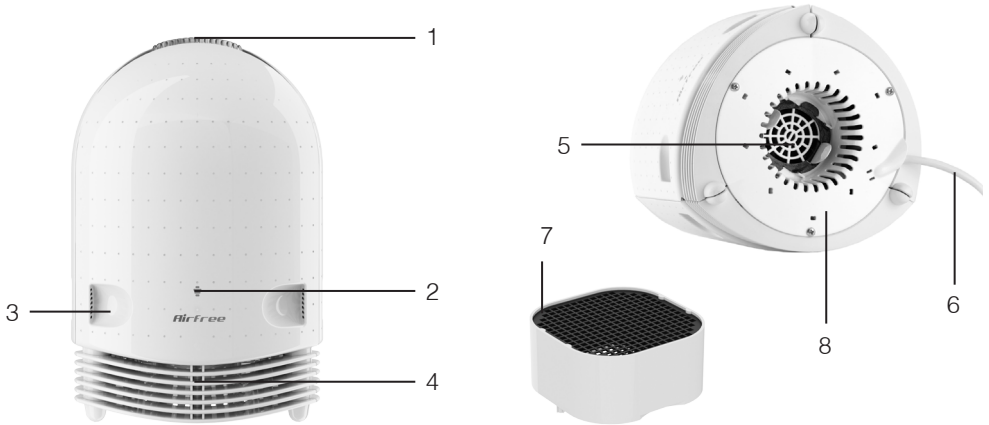
Contaminated air enters through the bottom air inlets either by natural air convection or by the air flow generated by the fan, to be turned on if and when necessary turned on to capture cooking smells, smoke and cigarette smoke.

Airfree® combines two different technologies:

TSS™ (Thermodynamic Sterilisation System): the most needed at homes and any closed environment, destroys (rather than filters) airborne microorganisms like viruses, bacteria, fungi, spores, allergens like those from dust mites and pet dander in addition to ozone. It is always ON and is totally silent. Airfree® utilises the exclusive patented ceramic core with mini ducts where microorganisms are incinerated at high temperatures with no noticeable heat contribution to the room. Microorganisms are carried into the device by air convection like in chimneys.

Odour eliminator capsule: if and when necessary, this additional system can be turned ON to absorb undesirable cooking smells, smoke and cigarette smoke.

Airfree® Description



1 – Top lid with air outlets, dimmer controlled night light
2 – Sensor touch button (blue horizontal lines) – ON/OFF fan + light dimmer
3 – Side shells
4 – Base
5 – Odour eliminator capsule compartment
6 – Power cord
7 – Odour eliminator capsule
8 – Serial number

To adjust light intensity, or turn it off, use the sensor touch button. The light does not interfere with Airfree®'s sterilisation mode.

Installing or Removing the Odour Eliminator Capsule



Hold the Airfree® upside down.



Start by removing the existing odour eliminator capsule. Press both clips out and pull the capsule from the base.



Insert the new odour eliminator capsule into the unit's base until it clicks into place.

Frequently Asked Questions

1. How does Airfree® Duo work?

The new Airfree® Duo offers the combination of 2 technologies that can work together or separately: TSS™ – for drastic microorganism destruction and ozone reduction. Airfree® destroys microorganisms at its heated ceramic core mini ducts. Contaminated air is dragged into Airfree® Duo's ceramic core by air convection and microorganisms are destroyed at high temperatures regardless of how resistant or dangerous they might be. Silent and filterless. The TSS™ is always ON to silently and continuously destroy airborne viruses, bacteria, mould, allergens, etc., but if and when necessary the fan can also be turned ON to capture cooking smells, smoke and cigarette smoke, forcing air through the mini ducts of its exclusive odour eliminator capsule.

2. Are there any side effects?

No. Airfree® Duo's technology simply uses heat and an odour eliminator capsule to silently and efficiently purify the air. No ozone, ions or particles are generated.

3. How do I shut the night light off?

Press the sensor touch button repeatedly to adjust the night light intensity or turn it off.

4. Can I install Airfree® in my walking closet?

Yes, as long as it has at least 10 m³. Airfree® should not be placed under shelves or its efficiency will be reduced.

5. Can I use Airfree® in air conditioned rooms?

Yes.

6. How do I know if Airfree® is no longer working?

Check the top lid. A cold top lid indicates the device is not working.

7. Can I place Airfree® in the corridor to reach adjacent rooms?

No. Airfree® will just reduce air pollution in the corridor's area.

8. Can I place Airfree® in a closed room?

Yes. Please remember such a room must have at least 10 m³.

9. Can I change Airfree® from one room to another?

Airfree® must always be plugged in the same room 24 hours a day. Airfree®'s patented technology works gradually and cannot have its cycle interrupted. Moving it from one room to another will interrupt the cycle and the room will start being contaminated again.

10. Should I turn off Airfree® when I leave the house?

No. The TSS™ ceramic core must always be ON, whereas it's probably not necessary for the fan to be ON as well.

11. What happens if Airfree® is disconnected or there is a blackout?

Airfree® will take approximately the same time as before to achieve the previous reduced contamination level as far as moulds, bacteria and viruses are concerned. When the fan's turned ON, the odour eliminator capsule will immediately start working.

12. Does CADR measure the effectiveness of the Airfree®?

Not at all. CADR is not designed to test the Airfree®'s technology. The AHAM seal (usually found at the back of an air cleaner's box) lists three Clean Air Delivery Rate (CADR) numbers: one for tobacco smoke, one for pollen and one for dust. The CADR indicates the volume of filtered air delivered by an air cleaner. The reason why CADR is not designed for Airfree® is because Airfree® does not filter, but destroys microorganisms instead. Such a reduction of bacteria, moulds, viruses and other microorganisms can only be measured after air sample

incubation in a microbiology lab. Airfree® destroys, rather than trapping or moving around, any microorganism regardless of how small it might be; 99.99% of all microorganisms are destroyed when passing through the Airfree® patented ceramic core mini ducts.

13. Does Airfree® eliminate bacteria and viruses?

Yes. Unlike other air filters in the market, Airfree® is more efficient with the smallest microorganisms as they are easily carried by Airfree®'s airflow into the sterilising TSS™ ceramic core mini ducts, where they are destroyed at high temperatures. Please check the independent bacteria and virus tests at our website.

14. How does Airfree® destroy dust mites?

Mould reduction in the environment leads to a reduction of the mould-dependant dust mite population. Airfree® also destroys the harmful toxins and fungus released into the air by dust mite faeces and skeletons that trigger respiratory allergies and asthma.

15. How does Airfree® eliminate fungi and mould?

As mentioned before, Airfree® eliminates airborne microorganisms including moulds, fungi and spores. By eliminating spores, new mould colonies are unlikely to develop, representing less future airborne mould spores. Please check the independent mould tests at our website.

16. Does Airfree® reduce tobacco smell and smoke?

Yes.

17. How does Airfree® destroy viruses?

Those microscopic microorganisms are easily eliminated inside Airfree®'s ceramic core mini ducts. Contrary to other technologies, the smaller the microorganisms, the more easily they are destroyed inside the TSS™ ceramic core heated mini ducts. Please check the independent virus test at our website.

18. Does Airfree® alter the humidity level in the room?

No.

19. Does Airfree® release any gas or chemical product?

No. Airfree®'s sterilisation system and odour eliminator capsule action (enabled when fan is on) use natural processes with no release of any hazardous substance. Please check our website for conclusive tests regarding particles and ozone.

20. Does Airfree® heat up a room?

No. Airfree® does not cause any noticeable increase in room temperature. For comparison sake, two Airfree® devices plugged in the same room will contribute with as much heat as one 70 kg adult.

21. Does Airfree® need filter replacement?

The TSS™ ceramic core requires no maintenance as it self-cleans and is manufactured to last many years. The odour eliminator capsule's replacement frequency will depend on how often it's used. As it's meant to be turned ON only when necessary, it may last up to 6 months or longer.

22. Does Airfree® night light interfere with the sterilising function?

No. The night light has an aesthetic effect and may simply be used as a night light in children or newborn bedrooms.

23. Where do the microorganisms go after they are destroyed?

All living microorganisms are basically composed of carbon, oxygen and nitrogen. Since Airfree® reaches nearly 200 °C, all the components decompose into carbon dioxide (the same element released by our breathing) and water. Some carbon (or microscopic ashes) may remain inside the device or over the top lid during the process. It should be noted that the whole process takes place at a microscopic level, so those residues represent a very small

fraction of the microorganisms' original microscopic size, in other words, meaningless.

The odour eliminator capsule's function: If and when necessary, the Airfree® Duo's fan can be turned on to capture cooking smells, smoke and cigarette smoke. Contaminated air passes through the odour eliminator capsule's mini ducts. The cigarette smoke and odours are retained in the capsule's mini ducts.

Warranty

This product is warranted by AIRFREE® PRODUCTS, to the original purchaser to be free from defects in material and workmanship under proper use for a period of two years from date of purchase. During this period, and upon presentation of purchase invoice, this product will be repaired or replaced with same or similar model without charges for parts or labor at distributor address. To be eligible for the warranty, please keep your purchase receipt. We advice you to register your device warranty at www.airfree.com. To obtain warranty service, please send the device with sales receipt or invoice to the distributor. This warranty does not apply to a product that has been misused, abused, or altered without limiting the afore mentioned, bending or dropping the unit, defects in the house electrical installation or fluctuating power levels that are considered to be defects resulting from misuse or abuse. AIRFREE® PRODUCTS and its affiliates or wholesalers do not make any specific claim as to medicinal uses of this product nor does the manufacturer warrants that the equipment prevents diseases.

NEITHER THIS WARRANTY NOR ANY WARRANTY, EXPRESSED OR IMPLIED, INCLUDING IMPLIED WARRANTIES OR MERCHANTABILITY, SHALL EXTEND BEYOND THE WARRANTY PERIOD. NO RESPONSIBILITY IS ASSUMED FOR ANY INCIDENTAL OR CONSEQUENTIAL DAMAGES, SOME STATES DO NOT ALLOW LIMITATION ON HOW LONG AN IMPLIED WARRANTY LASTS; SOME STATES DO NOT ALLOW THE EXCLUSION OR LIMITATION OF INCIDENTAL OR CONSEQUENTIAL DAMAGES, SO THE ABOVE LIMITATIONS OR EXCLUSIONS MAY NOT APPLY TO YOU. AIRFREE® PRODUCTS HEREBY SPECIFICALLY DISCLAIMS ALL EXPRESSED WARRANTIES NOT OTHERWISE SET ORTH HEREIN AND ANY IMPLIED WARRANTIES OR MERCHANTABILITY OR IMPLIED WARRANTIES FOR FITNESS FOR A PARTICULAR PURPOSE. THERE ARE NO WARRANTIES WHICH EXTEND BEYOND THE DESCRIPTION OF THE FACE HEREOF. This warranty gives you specific legal rights; you may have other rights, which vary from state to state, and country to country.

*AIRFREE® PRODUCTS, Julieta Ferrão 10, 9th Floor, 1600 -131 Lisbon, Portugal

Phone 351 - 213 156 222

Fax 351 - 213 516 228

Web www.airfree.com

Email info@airfree.com